

DASH NO	SHELL SIZE CODE - REF	A THREAD ISO METRIC	B DIA MAX	C DIA MIN	D DIA MAX	E + .008 - .000
9	A	M12 X 1 - 6H	.75	.250	.533	.044
11	B	M15 X 1 - 6H	.85	.375	.605	.044
13	C	M18 X 1 - 6H	1.00	.500	.774	.044
15	D	M22 X 1 - 6H	1.15	.625	.838	.044
17	E	M25 X 1 - 6H	1.25	.750	.963	.044
19	F	M28 X 1 - 6H	1.40	.812	1.042	.044
21	G	M31 X 1 - 6H	1.55	.937	1.217	.069
23	H	M34 X 1 - 6H	1.65	1.062	1.355	.069
25	J	M37 X 1 - 6H	1.85	1.188	1.443	.069

SYM	FINISH DESCRIPTION	SYM.	DESCRIPTION	DATE	APPROVED
B	CADMIUM PLATE/OLIVE DRAB	A	RELEASED	05/25/90	T.L.
C	BLACK ANODIZE	B	REVISED PER DCN 16273	06/07/00	T.L.
M	ELECTROLESS NICKEL	C	REVISED PER DCN 21859	01/15/04	T.L.
NF	CAD/O. D. OVER ELECTROLESS NICKEL (1000 HOUR SALT SPRAY)	D	REVISED PER DCN 25640	04/22/06	T.L.

PART NUMBER DEVELOPMENT

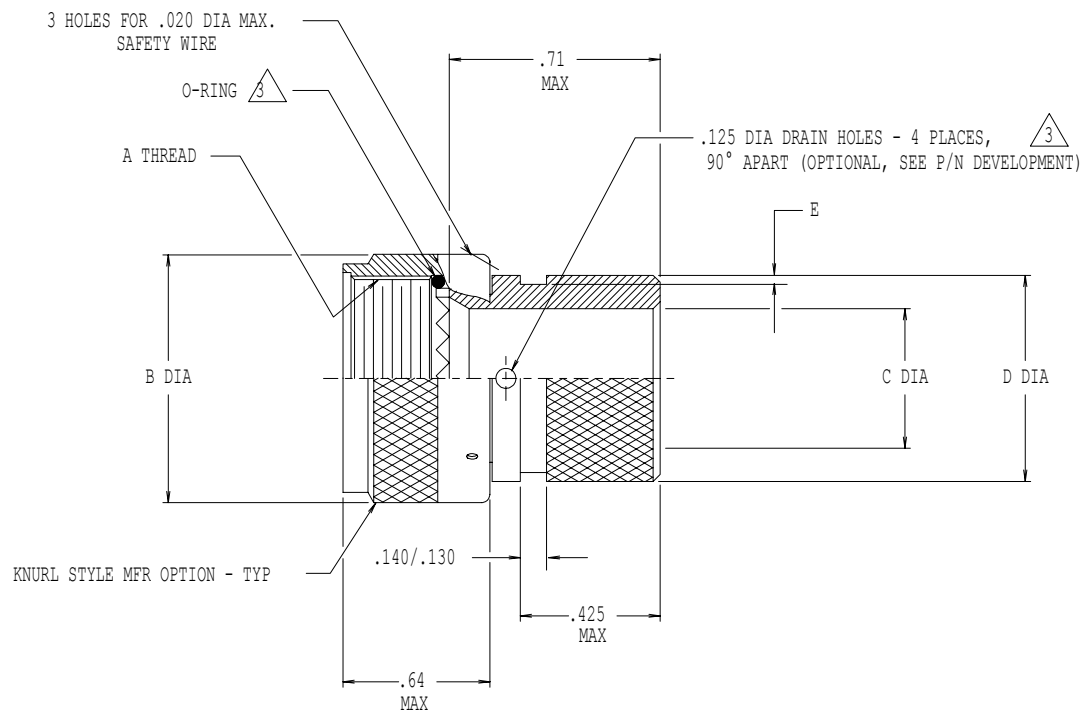
EXAMPLE: GS85049/69 - 11 NF D

BASIC PART NO _____

SHELL SIZE, TABLE I _____

FINISH SYM, TABLE II _____

D = DRAIN HOLES
OMIT FOR NONE



NOTES:

- ASSEMBLY IDENTIFIED WITH MANUFACTURER'S NAME AND P/N, SPACE PERMITTING.
- GLENAIR 600 SERIES BACKSHELL ASSEMBLY TOOLS ARE RECOMMENDED FOR ASSEMBLY AND INSULATION.
- ADAPTER WITH DRAIN HOLES NOT SUPPLIED WITH O-RING.
- MATERIAL/FINISH:
ADAPTER, COUPLING NUT - AL ALLOY/SEE TABLE II
O-RING - SILICONE/N.A.

UNLESS OTHERWISE SPECIFIED DIMENSIONS ARE IN INCHES TOLERANCES: FRACTIONS ± 1/16 DECIMALS .XX ± .03 .XXX ± .015 ANGLES ± 2°	DRAWN	T. LE	05/24/90	GLENAIR, INC. CAD 1990 1211 AIR WAY - GLENDALE - CALIFORNIA 91201
	CHECK	P. OAKES	05/24/90	
	ENGR	G. BURGE	05/24/90	
	APPROVED <i>P. Oakes</i>			
DO NOT SCALE THIS DRAWING				ADAPTER, SHRINK BOOT, FOR MIL-DTL-38999, SERIES III & IV CONNECTORS
B/F 90-2689		P/C 31	RELEASE DATE 05/25/90	CODE IDENT. NO. 06324
NON REPARABLE COMMERCIAL ITEM		SCALE N/A	WEIGHT N/A	SIZE C GS85049/69
SHEET 1 OF 1			REV. D	

X-ON Electronics

Largest Supplier of Electrical and Electronic Components

Click to view similar products for [Circular MIL Spec Strain Reliefs & Adapters](#) category:

Click to view products by [Glenair](#) manufacturer:

Other Similar products are found below :

[896227-000](#) [899170S004](#) [0113-023-000](#) [6000-063-0022](#) [CS6624-000](#) [620AB038Z136](#) [620AS001Z108](#) [620AS038Z112](#) [620AS038Z120](#)
[620AS038Z132](#) [620FB038NF08](#) [620HA038NF09](#) [620HA038NF11](#) [620HA038NF13](#) [620HA038NF25](#) [620HB049NF17](#) [620HS038NF11](#)
[620HS038Z121](#) [620HS042XM19](#) [620HS042XM25](#) [620HS048B17](#) [620MS064NF12](#) [620MS065Z107](#) [620MS065ZNU06](#) [627-123NF21-11](#)
[627-125NF23-6](#) [630J041M06H](#) [630J041M20H](#) [637S010NF0212H](#) [637S010NF0416A](#) [640830-000](#) [659943-000](#) [66241-10A](#) [CW0597-000](#)
[CW0598-000](#) [CW0948-000](#) [CY0122-000](#) [M85049/41-6A W/B](#) [M85049/42-12DS](#) [M85049/47N8](#) [M85049/51-1-14S](#) [M85049/51S16S](#)
[M85049/60-1N16](#) [M85049/60-2G12W](#) [M85049/69-11N](#) [CZ3661-000](#) [D02922-000](#) [70.360.1628.0](#) [703797-000](#) [705825-000](#)