

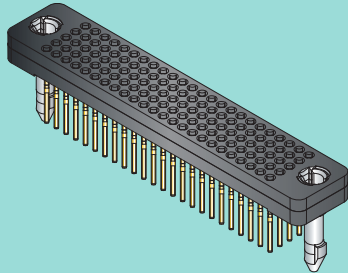
.062" PITCH COMPLIANT PIN

HD Stacker™

GSTBL single-sided mating connector Top-of-stack



MATES WITH GSTB AND GSTB (.095)



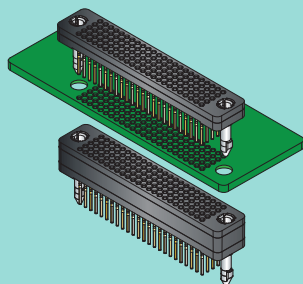
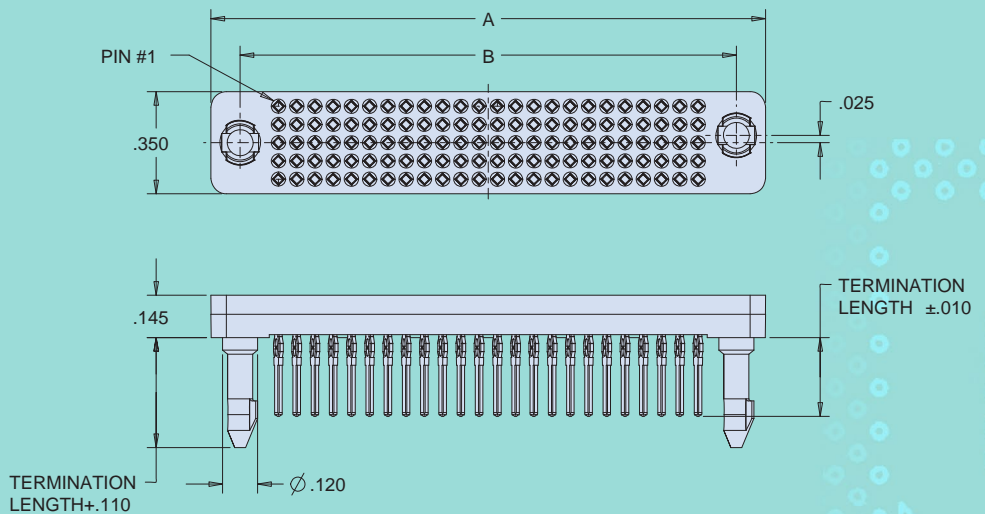
- Innovative Chevron Contact System (CCS)
- High-density layouts from 40 to 300 contacts
- Polarized insulators
- Keyed guide pin hardware for mis-mate protection

How to Order GSTBL HD Stacker					
Sample Part Number	GSTBL	-120	-.270	-G	1
Series	GSTBL = Low Profile Stacker				
Number of Contacts	40, 80, 120, 160, 200, 240, 300				
Pin Termination Length	.270, .300, .350, .400, .500, .600, .700, .800, .900, 1.000				
Hardware	G Keyed Guide Pin*				
Key Position	1*	2	3	4	

* Choose Hardware/Key Position -G1 for best availability / fastest delivery



All Glenair HD Stacker™ connectors are equipped with our innovative .062" pitch high-density Chevron Contact System (CCS). Special non-orthogonal socket tines enable both higher density layouts as well as improved signal integrity. The GSTBL is equipped with pin contacts with solder-free press-fit board mounting (no socket contacts).



The GSTBL is used in top-of-stack applications that only require a single-sided mating interface. Shown: GSTBL stack-mating with GSTB.

Number of Contacts	A		B	
	in	mm	in	mm
40	0.90	22.86	0.70	17.78
80	1.40	35.56	1.20	30.48
120	1.90	48.26	1.70	43.18
160	2.40	60.96	2.20	55.88
200	2.90	73.66	2.70	68.58
240	3.40	86.36	3.20	81.28
300	4.15	105.41	3.95	100.33

X-ON Electronics

Largest Supplier of Electrical and Electronic Components

Click to view similar products for [Board to Board & Mezzanine Connectors](#) category:

Click to view products by [Glenair](#) manufacturer:

Other Similar products are found below :

[589158040000018](#) [MDF7C-18P-2.54DSA\(55\)](#) [FCN-230C068-11](#) [FCN-268F012-G/BD](#) [FCN-268F036-G/BD](#) [FCN-268M012-G/0D](#) [FCN-268M024-G/1D](#) [FCN-723J004/1](#) [MIS-048-01-F-D-DP-K](#) [832-10-034-10-001000](#) [FX4C-80S-1.27DSA](#) [FCN-214Q030-G/0](#) [FCN-234P048-G/0](#) [FCN-235D050-G/C](#) [210-93-314-41-105000](#) [2-22603-0](#) [MDF7-40DP-2.54DSA\(55\)](#) [AXG720047](#) [MIT-114-03-F-D-K](#) [55323-1519](#) [DF33-2P-3.3DSA\(24\)](#) [YFT-20-05-H-03-SB-K](#) [503308-3040](#) [026-6203-PDB](#) [027-6203-PDB](#) [069159702701000](#) [10123981-102LF](#) [101A10019X](#) [55650-0588-C](#) [68682-310LF](#) [68684-306](#) [75140-7012](#) [87471-650](#) [YTW-30-07-H-Q-410-140](#) [FCN-268F024-G0D](#) [10124054-515LF](#) [68685-603](#) [8-1616154-3](#) [MIS-019-01-F-D](#) [FCN-268M024-G/3D](#) [FCN-268M036-G/BD](#) [20021832-06016C1LF](#) [KX15-20KLDL-E1000E](#) [AXE810124](#) [FCN-214J100-G/0](#) [FCN-230C068-E/S](#) [AXE812124](#) [AXE816124](#) [AXE720127](#) [354184](#)