

SHELL SIZE	A THREAD CLASS 2B	B DIA	C MAX	D DIM	CABLE ENTRY	APPROX WT (GRAMS)
08	1/2-20 UNF	.617	.89	.21	.260	6.8
10	5/8-24 UNEF	.734	.95	.22	.365	7.8
12	3/4-20 UNEF	.858	1.01	.25	.501	9.5
14	7/8-20 UNEF	.984	1.33	.25	.575	11.7
16	1 - 20 UNEF	1.112	1.39	.25	.700	12.6
18	1 1/16-18 UNEF	1.198	1.46	.28	.779	16.3
20	1 3/16-18 UNEF	1.323	1.51	.29	.904	17.0
22	1 5/16-18 UNEF	1.448	1.57	.32	1.029	17.9
24	1 7/16-18 UNEF	1.573	1.64	.32	1.144	19.8

SYM	FINISH DESCRIPTION
A	CADMIUM PLATE / BRIGHT DIP
B	CADMIUM PLATE / OLIVE DRAB
C	BLACK ANODIZE
D	CLEAR ANODIZE
E	GOLD IRIDITE
F	GRAY ANODIZE
G	HARD COAT
H	BLACK ANODIZE/OUTSIDE DIAMETER WITH CADMIUM PLATE/INSIDE DIAMETER
J	GOLD IRIDITE OVER CADMIUM PLATE OVER NICKEL PLATE
K	HARD CHROME
L	CADMIUM PLATE / BRIGHT DIP OVER ELECTROLESS NICKEL
M	ELECTROLESS NICKEL
NF	CAD/O.D. OVER ELECTROLESS NICKEL (500 HOUR SALT SPRAY)
N	CADMIUM PLATE / OLIVE DRAB OVER NICKEL PLATE
P	NICKEL PLATE
R	RED ANODIZE
S	GREEN ANODIZE
T	CADMIUM PLATE OVER NICKEL PLATE
W	LEACHED IRIDITE
Y	GOLD IRIDITE OVER CADMIUM PLATE
Z	SPECIAL PER PURCHASE ORDER
ZN	ZINC NICKEL, OLIVE DRAB OVER ELECTROLESS NICKEL (500 HOUR SALT SPRAY)

REV.	DESCRIPTION	BY	DATE
K	REDRAWN & REVISED PER DCN 10019	08/17/92	T.L.
L	REVISED PER DCN 13209	06/06/97	T.L.
M	REVISED PER DCN 13330	08/13/97	T.L.

PART NUMBER DEVELOPMENT

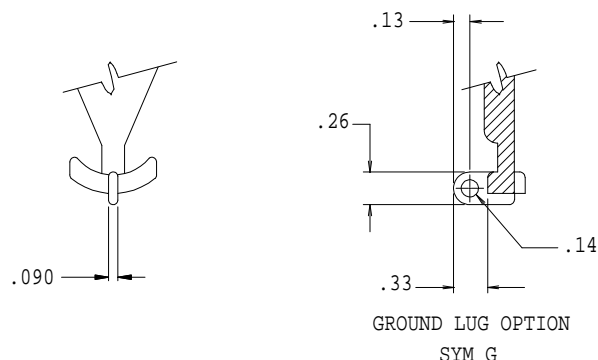
EXAMPLE: GTR108 G 10 A D

BASIC PART NO

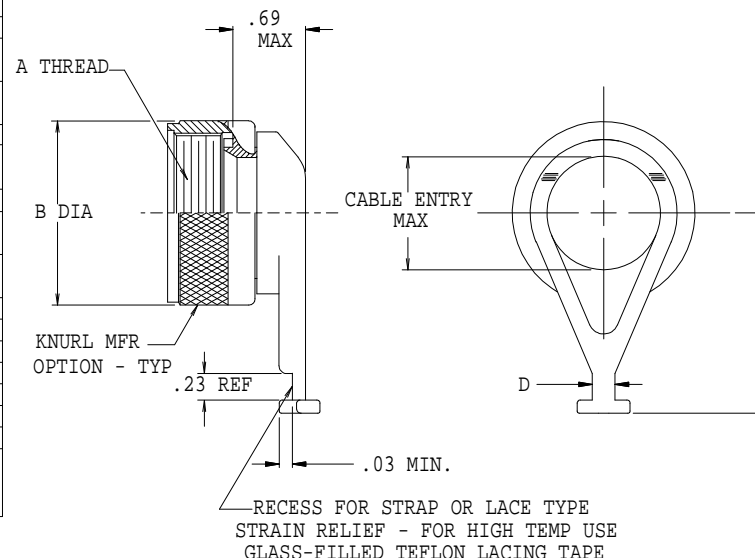
G = GROUND LUG OPTION,
OMIT FOR STD, SUBSTITUTE DASH
SHELL SIZE, TABLE I

FINISH SYMBOL, TABLE II

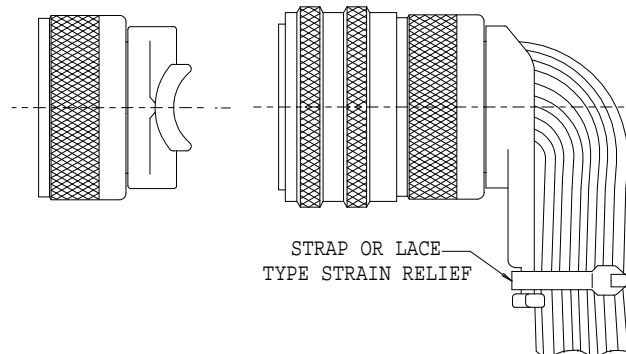
D = DRAIN HOLE OPTION,
OMIT FOR NONE



GROUND LUG OPTION
SYM G



RECESS FOR STRAP OR LACE TYPE
STRAIN RELIEF - FOR HIGH TEMP USE
GLASS-FILLED TEFLON LACING TAPE



STRAP OR LACE
TYPE STRAIN RELIEF

TYPICAL INSTALLATION

NOTES:

- ASSEMBLY IDENTIFIED WITH MANUFACTURER'S NAME AND P/N, SPACE PERMITTING
- FOR EFFECTIVE GROUNDING, CONNECTOR WITH CONDUCTIVE FINISH SHOULD BE USED.
- ADAPTER ACCOMMODATES MIL-C-005015F(NAVY) CRIMP, MIL-C-0026482(NAVY) SERIES 2 MIL-C-83723(USAF) SERIES 1 & 3, MIL-C-81703(NAVY) SERIES 3, NAS 1599 AND ALL PROPRIETARY SERIES.
- GLENAIR 600 SERIES BACKSHELL ASSEMBLY TOOLS ARE RECOMMENDED FOR ASSEMBLY AND INSTALLATION
- MATERIAL/FINISH:
COUPLING NUT, QWIK-TY® - AL ALLOY/SEE TABLE II

UNLESS OTHERWISE SPECIFIED DIMENSIONS ARE IN INCHES TOLERANCES: FRACTIONS ± 1/16 DECIMALS .XX ±.03 .XXX ±.015 ANGLES ± 2°	DRAWN	T.LE	08/17/92	GLENAIR, INC. CAD 1992 [®] 1211 AIR WAY - GLENDALE - CALIFORNIA 91201
	CHECK	A.WU	08/17/92	
	ENGR	P.OAKES	08/17/92	
	APPROVED			
DO NOT SCALE THIS DRAWING	RELEASE DATE	08/17/92	ORIGINAL RELEASE DATE	04/11/73
B/F 1586	P/C 450AA	NON REPARABLE COMMERCIAL ITEM	SCALE N/A	WEIGHT N/A
			CODE IDENT. NO.	SIZE
			06324	C
			GTR108	
			REV.	M
			SHEET	1 OF 1

X-ON Electronics

Largest Supplier of Electrical and Electronic Components

Click to view similar products for [Circular MIL Spec Strain Reliefs & Adapters](#) category:

Click to view products by [Glenair](#) manufacturer:

Other Similar products are found below :

[896227-000](#) [899170S004](#) [0113-023-000](#) [6000-063-0022](#) [CS6624-000](#) [620AB038Z136](#) [620AS001Z108](#) [620AS038Z112](#) [620AS038Z120](#)
[620AS038Z132](#) [620FB038NF08](#) [620HA038NF09](#) [620HA038NF11](#) [620HA038NF13](#) [620HA038NF25](#) [620HB049NF17](#) [620HS038NF11](#)
[620HS038Z121](#) [620HS042XM19](#) [620HS042XM25](#) [620HS048B17](#) [620MS064NF12](#) [620MS065Z107](#) [620MS065ZNU06](#) [627-123NF21-11](#)
[627-125NF23-6](#) [630J041M06H](#) [630J041M20H](#) [637S010NF0212H](#) [637S010NF0416A](#) [640830-000](#) [659943-000](#) [66241-10A](#) [CW0597-000](#)
[CW0598-000](#) [CW0948-000](#) [CY0122-000](#) [M85049/41-6A W/B](#) [M85049/42-12DS](#) [M85049/47N8](#) [M85049/51-1-14S](#) [M85049/51S16S](#)
[M85049/60-1N16](#) [M85049/60-2G12W](#) [M85049/69-11N](#) [CZ3661-000](#) [D02922-000](#) [70.360.1628.0](#) [703797-000](#) [705825-000](#)