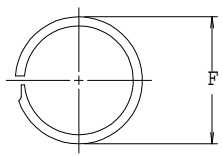
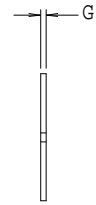
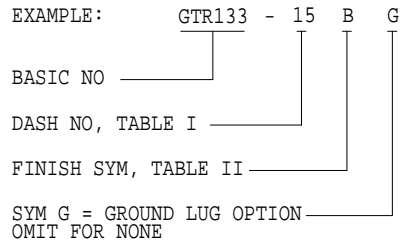


SHELL SIZE	SHELL SIZE CODE - REF	A THREAD ISO METRIC	B MAX	C MAX	D MAX	E RAD	F +.015 -.005	G ±.002	ENTRY MAX
9	A	M12 X 1 - 6H	.617	.89	1.199	.180			.264
11	B	M15 X 1 - 6H	.734	.95	1.317	.180			.392
13	C	M18 X 1 - 6H	.858	1.01	1.439	.180			.506
15	D	M22 X 1 - 6H	.984	1.33	1.822	.257			.631
17	E	M25 X 1 - 6H	1.112	1.39	1.946	.257	.862	.021	.756
19	F	M28 X 1 - 6H	1.198	1.47	2.069	.320	.989	.021	.845
21	G	M31 X 1 - 6H	1.323	1.51	2.172	.387	1.052	.021	.970
23	H	M34 X 1 - 6H	1.448	1.57	2.294	.387	1.181	.025	1.095
25	J	M37 X 1 - 6H	1.573	1.64	2.427	.530	1.317	.025	1.220

SYM.	DESCRIPTION	DATE	APPROVED
A	REDRAWN & REVISED PER DCN 10578	07/23/93	T.L.
B	REVISED PER DCN 12291	02/16/96	T.L.
C	REVISED PER DCN 12407	04/01/96	T.L.

SYM	FINISH DESCRIPTION
B	CADMIUM PLATE/OLIVE DRAB
M	ELECTROLESS NICKEL
N	CADMIUM PLATE/OLIVE DRAB OVER NICKEL PLATE
NF	CAD/O. D. OVER ELECTROLESS NICKEL (500 HOUR SALT SPRAY)

PART NUMBER DEVELOPMENT

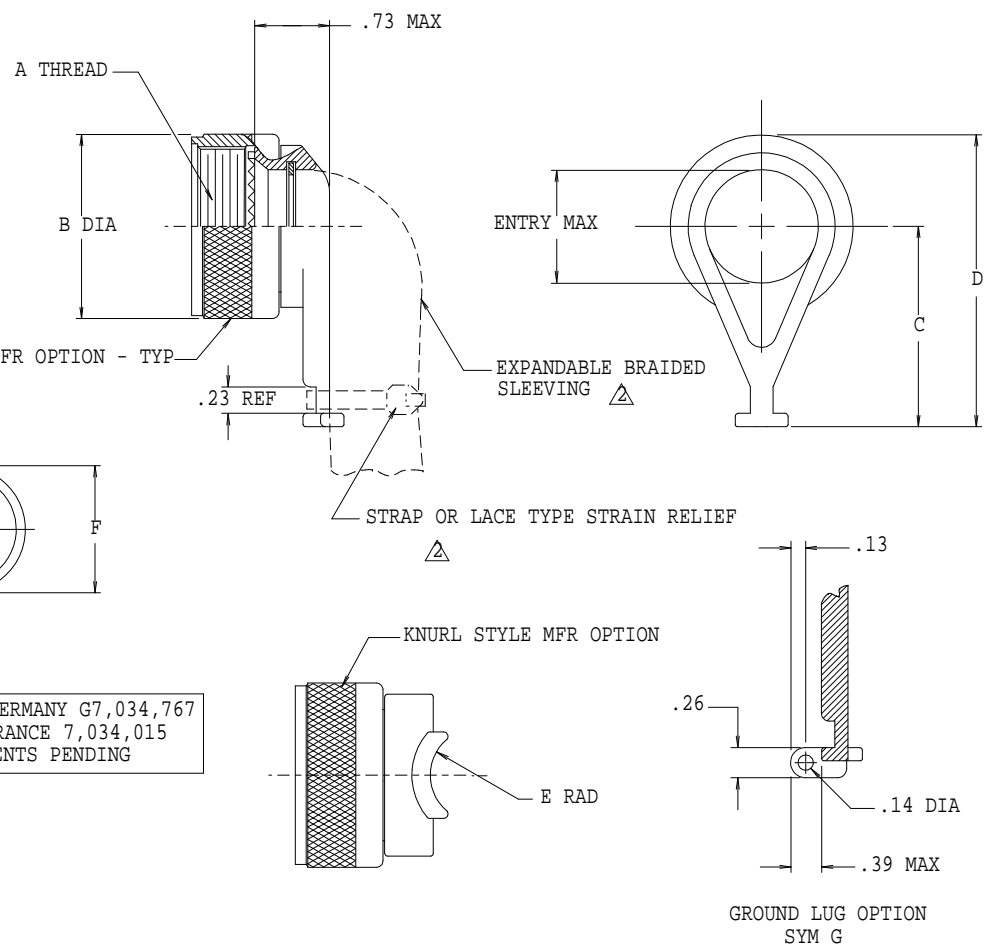


RETAINING RING SIZES 17 THRU 25

U.S. PATENTS 3,603,913, 3,732,527 W.GERMANY G7,034,767
CANADIAN PATENTS 893,880, 900,579 FRANCE 7,034,015
ITALY 903,036 - OTHER FOREIGN PATENTS PENDING

NOTES:

- ASSEMBLY IDENTIFIED WITH MANUFACTURER'S NAME AND P/N, SPACE PERMITTING.
- CUSTOMER SUPPLIED.
- FOR EFFECTIVE GROUNDING, CONNECTOR WITH CONDUITIVE FINISH SHOULD BE USED.
- ADAPTER ACCOMMODATES BENDIX JT, LJT, BURNDY CT, CANNON KJ (MS27466, 67, 68, 72, 73, 74, 79, 80, 81, 84 & 97, MS27652, 53, 54 & 56) CONNECTOR SERIES, PER MIL-C-38999 E, P & T, CONSULT FACTORY FOR SERIES NOT SHOWN.
- GLENAIR 600 SERIES BACKSHELL ASSEMBLY TOOLS ARE RECOMMENDED FOR ASSEMBLY AND INSTALLATION.
- MATERIAL/FINISH:
QWIK-TY®, COUPLING NUT - AL ALLOY/SEE TABLE II
RETAINING RING - CRES/PASSIVATE.



UNLESS OTHERWISE SPECIFIED		DRAWN	T.LE	07/23/93	GLENAIR, INC. CAD 1993 ^o 1211 AIR WAY - GLENDALE - CALIFORNIA 91201
DIMENSIONS ARE IN INCHES		CHECK	A.WU	07/23/93	
TOLERANCES:		ENGR	P.OAKES	07/23/93	
FRACTIONS	± 1/16	APPROVED _____			QWIK-TY®, 90°, FOR MIL-C-38999 SERIES III & IV CONNECTORS
DECIMALS	.XX ±.03 .XXX ±.015	APPROVED _____			
ANGLES	± 2°	APPROVED _____			
DO NOT SCALE THIS DRAWING		RELEASE DATE	07/23/93		
B/F 8117 P/C 450HA		ORIGINAL RELEASE DATE	01/17/83		CODE IDENT. NO. 06324
NON REPARABLE COMMERCIAL ITEM		SCALE	N/A	WEIGHT	N/A
		SHEET		1 OF 1	

X-ON Electronics

Largest Supplier of Electrical and Electronic Components

Click to view similar products for [Circular MIL Spec Strain Reliefs & Adapters](#) category:

Click to view products by [Glenair](#) manufacturer:

Other Similar products are found below :

[896227-000](#) [899170S004](#) [0113-023-000](#) [6000-063-0022](#) [CS6624-000](#) [620AB038Z136](#) [620AS001Z108](#) [620AS038Z112](#) [620AS038Z120](#)
[620AS038Z132](#) [620FB038NF08](#) [620HA038NF09](#) [620HA038NF11](#) [620HA038NF13](#) [620HA038NF25](#) [620HB049NF17](#) [620HS038NF11](#)
[620HS038Z121](#) [620HS042XM19](#) [620HS042XM25](#) [620HS048B17](#) [620MS064NF12](#) [620MS065Z107](#) [620MS065ZNU06](#) [627-123NF21-11](#)
[627-125NF23-6](#) [630J041M06H](#) [630J041M20H](#) [637S010NF0212H](#) [637S010NF0416A](#) [640830-000](#) [659943-000](#) [66241-10A](#) [CW0597-000](#)
[CW0598-000](#) [CW0948-000](#) [CY0122-000](#) [M85049/41-6A W/B](#) [M85049/42-12DS](#) [M85049/47N8](#) [M85049/51-1-14S](#) [M85049/51S16S](#)
[M85049/60-1N16](#) [M85049/60-2G12W](#) [M85049/69-11N](#) [CZ3661-000](#) [D02922-000](#) [70.360.1628.0](#) [703797-000](#) [705825-000](#)