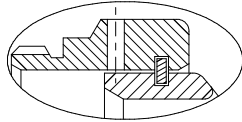


DASH NO	SYM A-B-C	SYM D	A THREAD CLASS 2A	B DIA	C RAD	D MAX	LENGTH MAX	CABLE ENTRY	QWIK-TY REF
1	-	8	3/8-32 UNEF	.437	.180	.89	1.04	.264	1
3	3	10	1/2-28 UNEF	.551	.180	.95	1.04	.392	2
7	7	-	5/8-24 UNEF	.676	.180	1.01	1.04	.506	3
12	12	14	3/4-20 UNEF	.812	.257	1.33	1.12	.631	4
19	19	16	7/8-20 UNEF	.926	.257	1.39	1.12	.756	5
27	27	18	1 -20 UNEF	1.052	.320	1.47	1.21	.845	6
37	37	-	1 3/16-18 UNEF	1.250	.387	1.51	1.27	.970	7
61	61	-	1 1/2-18 UNEF	1.551	.530	1.64	1.42	1.220	9

SYM.	DESCRIPTION	DATE	APPROVED
K	REDRAWN & REVISED PER DCN 24629	09/20/05	T.L.

SYM	FINISH DESCRIPTION
A	CADMIUM PLATE / BRIGHT DIP
B	CADMIUM PLATE / OLIVE DRAB
G	HARD COAT
M	ELECTROLESS NICKEL
N	CADMIUM PLATE / OLIVE DRAB OVER NICKEL PLATE
NF	CAD/O.D. OVER ELECTROLESS NICKEL (1000 HOUR SALT SPRAY)



DRAIN HOLES OPTION

SYM	SERIES DESCRIPTION
A	DSM (120, 32000) RSM (UR20, 73000), RMK, SMK
B	DA (19000), DS (17000) DD: MS3140, 3144, 3147, 3148 (12000), MDR (13000) MDS (750, M17000)
C	DM, MS 3132, 3134, 3137, 3138 (14000)
D	RTK (UR40, 74000), STK (340, 42000)

PART NUMBER DEVELOPMENT

EXAMPLE: GTR26 B 12 A D

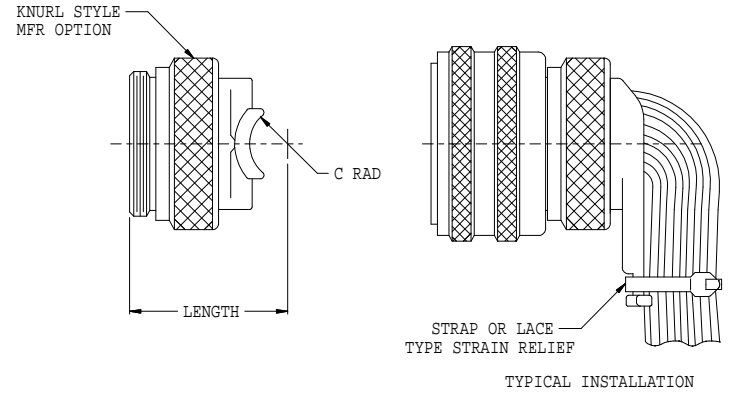
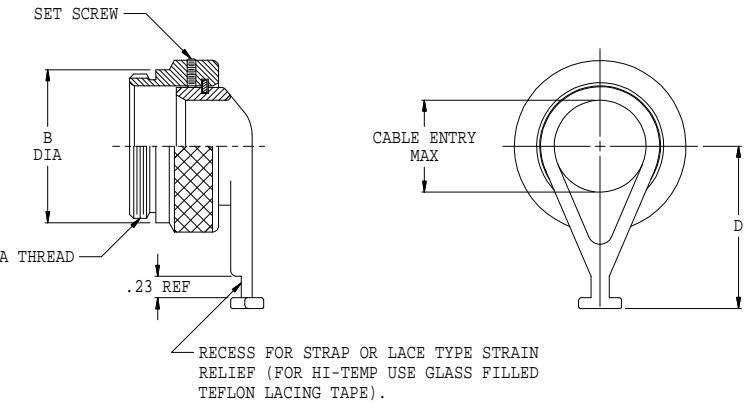
BASIC PART NO _____

CONN. SYM, TABLE III _____

DASH NO, TABLE I _____

FINISH SYMBOL, TABLE II _____

D = DRAIN HOLES OPTION, OMIT FOR NONE



NOTES:

- ASSEMBLY IDENTIFIED WITH MANUFACTURER'S NAME AND P/N, SPACE PERMITTING.
- STANDARD FINISH, EXCEPT FOR DA, MS AND "U" SERIES, WHICH ARE BLACK ANODIZE.
- DISCARD CONNECTOR REAR HARDWARE
- GLENAIR 600 SERIES BACKSHELL ASSEMBLY TOOLS ARE RECOMMENDED FOR ASSEMBLY AND INSTALLATION
- MATERIAL/FINISH:
COUPLING NUT, QWIK-TY® - AL ALLOY/SEE TABLE II
RETAINING RING, SET SCREW - CRES/PASSIVATE

UNLESS OTHERWISE SPECIFIED DIMENSIONS ARE IN INCHES TOLERANCES: FRACTIONS ± 1/16 DECIMALS .XX ± .03 .XXX ± .015 ANGLES ± 2°	DRAWN T. LE 09/20/05	GLENAIR, INC. CAD 2005 1211 AIR WAY - GLENDALE - CALIFORNIA 91201 90° QWIK-TY® FOR DEUTSCH CONNECTORS, PER TABLE III	CODE IDENT. NO. 06324 SIZE C	REV. K	
	CHECK P. OAKES 09/20/05				GTR26
	ENGR R. PAINTER 09/20/05				
DO NOT SCALE THIS DRAWING	RELEASE DATE 09/20/05 ORIGINAL RELEASE DATE 10/27/75	NON REPARABLE COMMERCIAL ITEM			

X-ON Electronics

Largest Supplier of Electrical and Electronic Components

Click to view similar products for [Circular MIL Spec Strain Reliefs & Adapters](#) category:

Click to view products by [Glenair](#) manufacturer:

Other Similar products are found below :

[896227-000](#) [899170S004](#) [6000-063-0022](#) [613751-000](#) [CS6624-000](#) [620AB038Z136](#) [620AS001Z108](#) [620AS038Z112](#) [620AS038Z120](#)
[620AS038Z132](#) [620FB038NF08](#) [620HA038NF13](#) [620HA038NF25](#) [620HA042XM13](#) [620HB049NF17](#) [620HS011NF21](#) [620HS038NF11](#)
[620HS038Z121](#) [620HS042XM19](#) [620HS042XM25](#) [620HS042XW13](#) [620HS048B17](#) [620MS064NF09](#) [620MS064NF12](#) [620MS065M12](#)
[620MS065Z107](#) [620MS065ZNU06](#) [630J041M06H](#) [630J041M20H](#) [637S010NF0212H](#) [640830-000](#) [659943-000](#) [66241-10A](#) [CW0597-000](#)
[CW0598-000](#) [CW0948-000](#) [CY0122-000](#) [M85049/41-6A W/B](#) [M85049/42-12DS](#) [M85049/47N8](#) [M85049/47W18](#) [M85049/51-1-14S](#)
[M85049/51-1-8W](#) [M85049/51S16S](#) [M85049/60-1N16](#) [M85049/60-2G12W](#) [M85049/69-11N](#) [CZ3661-000](#) [D02922-000](#) [70.360.1628.0](#)