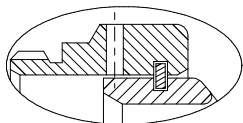


| DASH NO | SYM A-B-C | SYM D | A THREAD CLASS 2A | B DIA | C RAD | D MAX | LENGTH MAX | CABLE ENTRY | QWIK-TY REF |
|---------|-----------|-------|-------------------|-------|-------|-------|------------|-------------|-------------|
| 1       | -         | 8     | 3/8-32 UNEF       | .437  | .180  | .89   | 1.04       | .264        | 1           |
| 3       | 3         | 10    | 1/2-28 UNEF       | .551  | .180  | .95   | 1.04       | .392        | 2           |
| 7       | 7         | -     | 5/8-24 UNEF       | .676  | .180  | 1.01  | 1.04       | .506        | 3           |
| 12      | 12        | 14    | 3/4-20 UNEF       | .812  | .257  | 1.33  | 1.12       | .631        | 4           |
| 19      | 19        | 16    | 7/8-20 UNEF       | .926  | .257  | 1.39  | 1.12       | .756        | 5           |
| 27      | 27        | 18    | 1 -20 UNEF        | 1.052 | .320  | 1.47  | 1.21       | .845        | 6           |
| 37      | 37        | -     | 1 3/16-18 UNEF    | 1.250 | .387  | 1.51  | 1.27       | .970        | 7           |
| 61      | 61        | -     | 1 1/2-18 UNEF     | 1.551 | .530  | 1.64  | 1.42       | 1.220       | 9           |

| SYM. | DESCRIPTION                     | DATE     | APPROVED |
|------|---------------------------------|----------|----------|
| K    | REDRAWN & REVISED PER DCN 24629 | 09/20/05 | T.L.     |

| SYM | FINISH DESCRIPTION                                      |
|-----|---|
| A   | CADMIUM PLATE / BRIGHT DIP                              |
| B   | CADMIUM PLATE / OLIVE DRAB                              |
| G   | HARD COAT   |
| M   | ELECTROLESS NICKEL                                      |
| N   | CADMIUM PLATE / OLIVE DRAB OVER NICKEL PLATE            |
| NF  | CAD/O.D. OVER ELECTROLESS NICKEL (1000 HOUR SALT SPRAY) |



DRAIN HOLES OPTION

| SYM | SERIES DESCRIPTION  |
|-----|---|
| A   | DSM (120, 32000)<br>RSM (UR20, 73000), RMK, SMK   |
| B   | DA (19000), DS (17000)<br>DD: MS3140, 3144, 3147,<br>3148 (12000), MDR (13000)<br>MDS (750, M17000) |
| C   | DM, MS 3132, 3134, 3137,<br>3138 (14000)  |
| D   | RTK (UR40, 74000),<br>STK (340, 42000)  |

PART NUMBER DEVELOPMENT

EXAMPLE: GTR26 B 12 A D

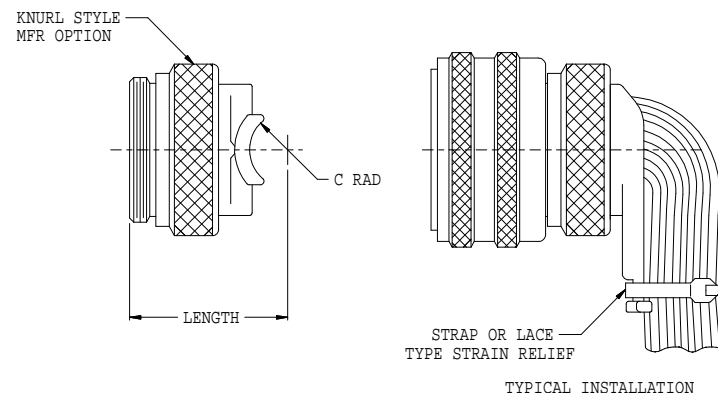
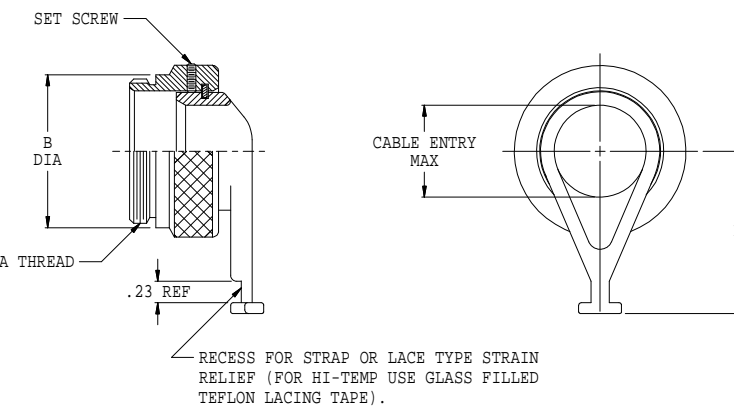
BASIC PART NO \_\_\_\_\_

CONN. SYM, TABLE III \_\_\_\_\_

DASH NO, TABLE I \_\_\_\_\_

FINISH SYMBOL, TABLE II \_\_\_\_\_

D = DRAIN HOLES OPTION, OMIT FOR NONE



NOTES:

- ASSEMBLY IDENTIFIED WITH MANUFACTURER'S NAME AND P/N, SPACE PERMITTING.
- STANDARD FINISH, EXCEPT FOR DA, MS AND "U" SERIES, WHICH ARE BLACK ANODIZE.
- DISCARD CONNECTOR REAR HARDWARE
- GLENAIR 600 SERIES BACKSHELL ASSEMBLY TOOLS ARE RECOMMENDED FOR ASSEMBLY AND INSTALLATION
- MATERIAL/FINISH:  
COUPLING NUT, QWIK-TY® - AL ALLOY/SEE TABLE II  
RETAINING RING, SET SCREW - CRES/PASSIVATE

|   |   |   |
|---|---|---|
| UNLESS OTHERWISE SPECIFIED<br>DIMENSIONS ARE IN INCHES<br>TOLERANCES:<br><br>FRACTIONS ± 1/16<br>DECIMALS .XX ± .03<br>.XXX ± .015<br>ANGLES ± 2° | DRAWN T. LE 09/20/05                                    | <b>GLENAIR, INC.</b> CAD 2005<br>1211 AIR WAY - GLENDALE - CALIFORNIA 91201<br><br>90° QWIK-TY® FOR DEUTSCH CONNECTORS, PER TABLE III |
|   | CHECK P. OAKES 09/20/05                                 |   |
|   | ENGR R. PAINTER 09/20/05                                |   |
| DO NOT SCALE THIS DRAWING   | RELEASE DATE 09/20/05<br>ORIGINAL RELEASE DATE 10/27/75 | CODE IDENT. NO. 06324<br>SIZE C<br>GTR26<br>REV. K  |
| B/F 05-5972 P/C 45  | NON REPARABLE COMMERCIAL ITEM                           | SCALE N/A WEIGHT N/A SHEET 1 OF 1   |

## X-ON Electronics

Largest Supplier of Electrical and Electronic Components

*Click to view similar products for [Circular MIL Spec Strain Reliefs & Adapters](#) category:*

*Click to view products by [Glenair](#) manufacturer:*

Other Similar products are found below :

[896227-000](#) [899170S004](#) [0113-023-000](#) [6000-063-0022](#) [CS6624-000](#) [620AB038Z136](#) [620AS001Z108](#) [620AS038Z112](#) [620AS038Z120](#)  
[620AS038Z132](#) [620FB038NF08](#) [620HA038NF09](#) [620HA038NF11](#) [620HA038NF13](#) [620HA038NF25](#) [620HB049NF17](#) [620HS038NF11](#)  
[620HS038Z121](#) [620HS042XM19](#) [620HS042XM25](#) [620HS048B17](#) [620MS064NF12](#) [620MS065Z107](#) [620MS065ZNU06](#) [627-123NF21-11](#)  
[627-125NF23-6](#) [630J041M06H](#) [630J041M20H](#) [637S010NF0212H](#) [637S010NF0416A](#) [640830-000](#) [659943-000](#) [66241-10A](#) [CW0597-000](#)  
[CW0598-000](#) [CW0948-000](#) [CY0122-000](#) [M85049/41-6A W/B](#) [M85049/42-12DS](#) [M85049/47N8](#) [M85049/51-1-14S](#) [M85049/51S16S](#)  
[M85049/60-1N16](#) [M85049/60-2G12W](#) [M85049/69-11N](#) [CZ3661-000](#) [D02922-000](#) [70.360.1628.0](#) [703797-000](#) [705825-000](#)