

TABLE I								
DASH NO.	CONNECTOR SHELL SIZE			A THREAD CLASS 2B	B DIA MAX	C RAD	D +.0 -.06	APPROX WEIGHT (GRAMS)
	NAS 1599 MIL-DTL-83723 SER 1&3	MIL-DTL-005015F CRIMP	AS81703 (NAVY) SER 3					
-3			3	9/16-24 UNEF	.669	.083	1.19	4.6
-8	8	8S		1/2-20 UNF	.617	.083	1.19	4.0
-10	10	10S,10SL		5/8-24 UNEF	.734	.113	1.19	5.2
-12	12	12,12S	7	3/4-20 UNEF	.858	.150	1.25	6.4
-14	14	14,14S	12	7/8-20 UNEF	.984	.188	1.43	7.9
-16	16	16,16S	19	1 -20 UNEF	1.112	.223	1.43	9.4
-18	18	18	27	1 1/16-18 UNEF	1.218	.281	1.50	10.7
-20	20	20	37	1 3/16-18 UNEF	1.345	.281	1.63	11.7
-22	22	22		1 5/16-18 UNEF	1.468	.308	1.75	13.9
-24	24	24		1 7/16-18 UNEF	1.593	.350	1.88	16.6
-28		28		1 3/4-18 UNS	1.969	.375	2.06	25.4
-32		32		2 -18 UNS	2.220	.500	2.27	28.3
-36		36		2 1/4-16 UN	2.470	.500	2.38	31.2
-61			61	1 1/2-18 UNEF	1.653	.375	1.88	17.2

TABLE I - METRIC							
DASH NO.	CONNECTOR SHELL SIZE			A THREAD CLASS 2B	B DIA MAX	C RAD	D +.0 -1.5
	NAS 1599 MIL-DTL-83723 SER 1&3	MIL-DTL-005015F CRIMP	AS81703 (NAVY) SER 3				
-3			3	9/16-24 UNEF	17.0	2.1	30.2
-8	8	8S		1/2-20 UNF	15.7	2.1	30.2
-10	10	10S,10SL		5/8-24 UNEF	18.6	2.9	30.2
-12	12	12,12S	7	3/4-20 UNEF	21.8	3.8	31.8
-14	14	14,14S	12	7/8-20 UNEF	25.0	4.8	36.3
-16	16	16,16S	19	1 -20 UNEF	28.2	5.7	36.3
-18	18	18	27	1 1/16-18 UNEF	30.9	7.1	38.1
-20	20	20	37	1 3/16-18 UNEF	34.2	7.1	41.4
-22	22	22		1 5/16-18 UNEF	37.3	7.8	44.5
-24	24	24		1 7/16-18 UNEF	40.5	8.9	47.8
-28		28		1 3/4-18 UNS	50.0	9.5	52.3
-32		32		2 -18 UNS	56.4	12.7	57.7
-36		36		2 1/4-16 UN	62.7	12.7	60.5
-61			61	1 1/2-18 UNEF	42.0	9.5	47.8

TABLE II	
SYM	FINISH DESCRIPTION
B	CADMIUM PLATE/OLIVE DRAB
C	BLACK ANODIZE
L	CADMIUM BRIGHT OVER ELECTROLESS NICKEL
M	ELECTROLESS NICKEL
N	CADMIUM PLATE/OLIVE DRAB OVER NICKEL PLATE
NF	CAD/O. D. OVER ELECTROLESS NICKEL (1000 HOUR SALT SPRAY)
V	BLUE ANODIZE

REV.	DESCRIPTION	DATE	APPROVED
G	REDRAWN	4/4/74	W.A
H	REVISED PER DCN 02276	5/6/75	W.A
J	REVISED PER DCN 03303	10/23/78	W.A
K	REVISED PER DCN 03465	5/24/79	J.B
L	REVISED PER DCN 04073	10/15/81	G.B
M	REDRAWN PER DCN 15832	01/31/00	R.P
N	REVISED PER DCN 16255	06/02/00	T.L
P	REVISED PER DCN 17349	01/12/01	N.D
R	REVISED PER DCN 17364	01/16/01	N.D
S	REVISED PER DCN 21785	12/23/03	T.L
T	REVISED PER DCN 24390	08/05/05	T.L
U	REVISED PER DCN 26629	11/09/06	T.L
V	REVISED PER DCN 27564	05/15/07	T.L

PART NUMBER DEVELOPMENT

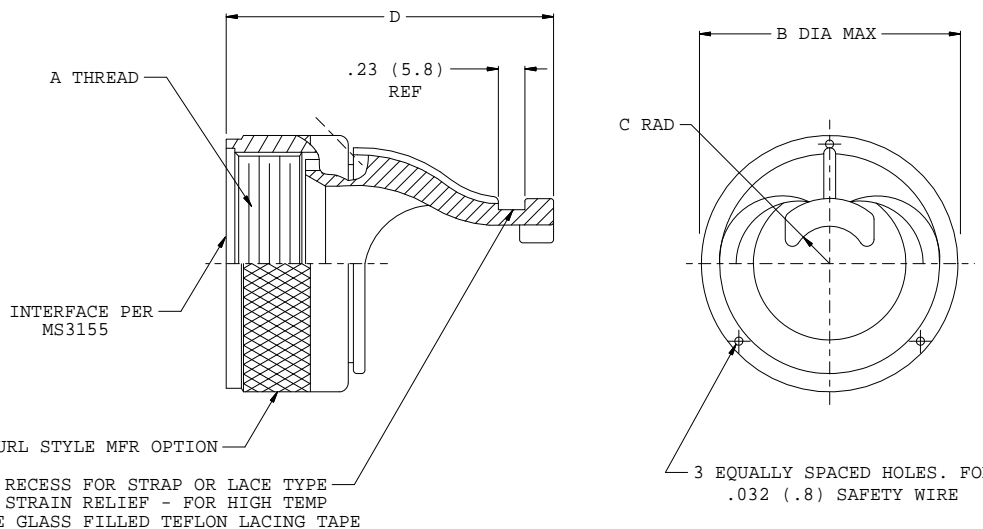
EXAMPLE: GTR62 - 16 C - ACS1

BASIC NO.

SHELL SIZE. TABLE I

FINISH SYMBOL. TABLE II

SILICONE/ FLUOROSILICONE PAD OPTION - OMIT FOR NONE



NOTES:

- ASSEMBLY IDENTIFIED WITH MANUFACTURER'S NAME AND P/N, SPACE PERMITTING
- METRIC DIMENSIONS (IN PARENTHESIS) ARE GIVEN FOR REFERENCE ONLY AND ARE BASED ON 1 INCH = 25.4 mm.
- ADAPTER HAS CAPTIVATED COUPLING NUT. METHOD OF CAPTIVATION MANUFACTURER'S OPTION
- THE COLOR OF THE QWIK-TY BODY WILL BE BLACK.
- MATERIAL/FINISH:  
QWIK-TY & COUPLING NUT - AL ALLOY/SEE TABLE II

UNLESS OTHERWISE SPECIFIED DIMENSIONS ARE IN INCHES TOLERANCES: FRACTIONS ± 1/16 DECIMALS .XX ±.03 .XXX ±.015 ANGLES ± 2°	DRAWN J. AKINS 01/31/00	<b>GLENAIR, INC.</b> CAD 2000 1211 AIR WAY - GLENDALE - CALIFORNIA 91201  QWIK-TY®, STRAIGHT FOR CONNECTORS, PER TABLE I	CODE IDENT. NO. 06324 SIZE C <b>GTR62</b> REV. V
	CHECK P. OAKES 02/01/00		
	ENGR R. PAINTER 02/01/00		
	APPROVED <i>R. Painter</i> APPROVED <i>P. Oakes</i>		
DO NOT SCALE THIS DRAWING	RELEASE DATE 02/01/00 ORIGINAL RELEASE DATE 07/07/71	SCALE N/A WEIGHT N/A SHEET 1 OF 1	NON REPARABLE COMMERCIAL ITEM

## X-ON Electronics

Largest Supplier of Electrical and Electronic Components

*Click to view similar products for [Circular MIL Spec Strain Reliefs & Adapters](#) category:*

*Click to view products by [Glenair](#) manufacturer:*

Other Similar products are found below :

[896227-000](#) [899170S004](#) [0113-023-000](#) [6000-063-0022](#) [CS6624-000](#) [620AB038Z136](#) [620AS001Z108](#) [620AS038Z112](#) [620AS038Z120](#)  
[620AS038Z132](#) [620FB038NF08](#) [620HA038NF09](#) [620HA038NF11](#) [620HA038NF13](#) [620HA038NF25](#) [620HB049NF17](#) [620HS038NF11](#)  
[620HS038Z121](#) [620HS042XM19](#) [620HS042XM25](#) [620HS048B17](#) [620MS064NF12](#) [620MS065Z107](#) [620MS065ZNU06](#) [627-123NF21-11](#)  
[627-125NF23-6](#) [630J041M06H](#) [630J041M20H](#) [637S010NF0212H](#) [637S010NF0416A](#) [640830-000](#) [659943-000](#) [66241-10A](#) [CW0597-000](#)  
[CW0598-000](#) [CW0948-000](#) [CY0122-000](#) [M85049/41-6A W/B](#) [M85049/42-12DS](#) [M85049/47N8](#) [M85049/51-1-14S](#) [M85049/51S16S](#)  
[M85049/60-1N16](#) [M85049/60-2G12W](#) [M85049/69-11N](#) [CZ3661-000](#) [D02922-000](#) [70.360.1628.0](#) [703797-000](#) [705825-000](#)