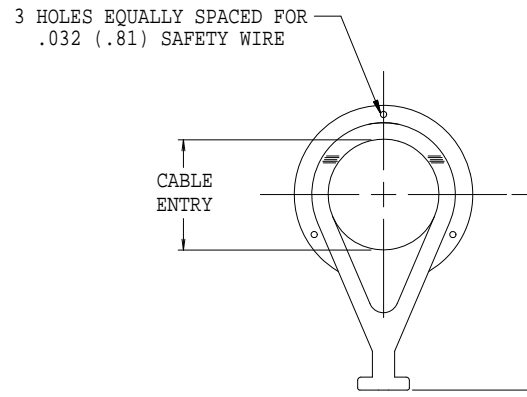
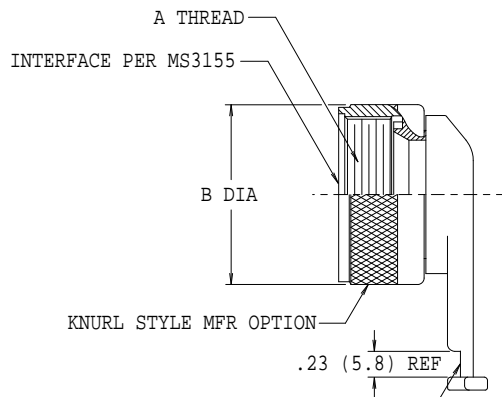


TABLE II	
SYM	FINISH DESCRIPTION
C	BLACK ANODIZE
OMIT	ELECTROLESS NICKEL
N	CADMIUM PLATE/OLIVE DRAB OVER NICKEL PLATE
NF	CAD/O. D. OVER ELECTROLESS NICKEL (500 HOUR SALT SPRAY)

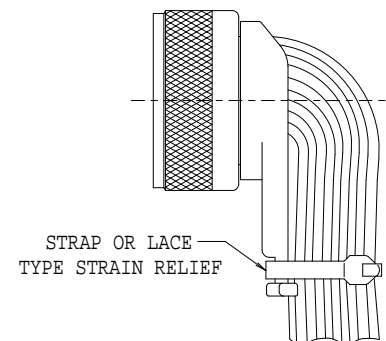
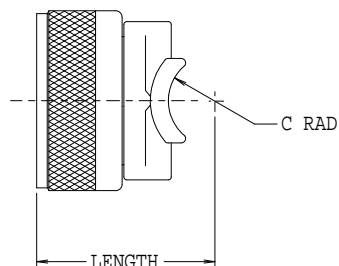
REV.	DESCRIPTION	BY	DATE
M	REVISED PER DCN 11561	01/26/95	T.L.
N	REVISED PER DCN 17349	01/12/01	N.D.
P	REVISED PER DCN 21759	12/18/03	T.L.

PART NUMBER DEVELOPMENT  
 EXAMPLE: GTR71 - 10 N - ACS1

BASIC NO \_\_\_\_\_  
 DASH NO, TABLE I \_\_\_\_\_  
 FINISH SYM, TABLE II \_\_\_\_\_  
 OMIT FOR ELECTROLESS NICKEL \_\_\_\_\_  
 SILICONE/FLUOROSILICONE PAD \_\_\_\_\_  
 OPTION - OMIT FOR NONE \_\_\_\_\_



RECESS FOR STRAP OR LACE TYPE STRAIN RELIEF - FOR HIGH TEMP USE  
 GLASS-FILLED TEFLON LACING TAPE



U.S. PATENTS 3,603,913, 3,732,527 W.GERMANY G7,034,767  
 CANADIAN PATENTS 893,880, 900,579 FRANCE 7,034,015  
 ITALY 903,036 - OTHER FOREIGN PATENTS PENDING

NOTES:

- ASSEMBLY IDENTIFIED WITH MANUFACTURER'S NAME AND P/N, SPACE PERMITTING
- METRIC DIMENSIONS (IN PARENTHESIS) ARE GIVEN FOR REFERENCE ONLY AND ARE BASED UPON 1 INCH = 25.4 mm.
- ADAPTER HAS CAPTIVATED COUPLING NUT, METHOD OF CAPTIVATION MANUFACTURER'S OPTION.
- GLENAIR 600 SERIES BACKSHELL ASSEMBLY TOOLS ARE RECOMMENDED FOR ASSEMBLY AND INSTALLATION
- MATERIAL/FINISH:  
 COUPLING NUT, QWIK-TY<sup>®</sup> - AL ALLOY/SEE TABLE II





UNLESS OTHERWISE SPECIFIED DIMENSIONS ARE IN INCHES TOLERANCES:	DRAWN	T.LE	01/26/95	<b>GLENAIR, INC.</b> CAD 1995 <sup>®</sup> 1211 AIR WAY - GLENDALE - CALIFORNIA 91201					
	CHECK	P.O.	01/26/95						
	ENGR	P.OAKES	01/26/95						
FRACTIONS	± 1/16	 APPROVED		QWIK-TY <sup>®</sup> , 90°, FOR CONNECTORS, PER TABLE I					
DECIMALS	.XX ±.03 .XXX ±.015	 APPROVED							
ANGLES	± 2°								
DO NOT SCALE THIS DRAWING	RELEASE DATE	01/26/95	ORIGINAL RELEASE DATE	10/09/70	CODE IDENT. NO.	SIZE	<b>GTR71</b>	REV.	<b>P</b>
B/F 70-8697	P/C 450AA	NON REPARABLE COMMERCIAL ITEM	SCALE	N/A	WEIGHT	N/A		SHEET	

TABLE I													
DASH NO	CONNECTOR SHELL SIZE				A THREAD CLASS 2B	B DIA MAX	C RAD	D MAX	LENGTH MAX	REF	CABLE ENTRY	APPROX WEIGHT (GRAMS)	
	NAS 1599 MIL-DTL-83723 SERIES 1 & 3	MIL-DTL-5015G CRIMP	AS81703 (NAVY) SERIES 3	MIL-C-26482 SERIES 2									
- 3			3		9/16-24 UNEF	.669	.113	.95	.88	2	.265	6.2	
- 8	8	8S		8	1/2 -20 UNF	.617	.083	.90	.85	1	.265	4.8	
-10	10	10S,10SL		10	5/8 -24 UNEF	.734	.113	.95	.88	2	.370	6.4	
-12	12	12,12S	7	12	3/4 -20 UNEF	.858	.150	1.08	.91	3	.506	7.5	
-14	14	14,14S	12	14	7/8 -20 UNEF	.984	.188	1.33	.95	4	.580	9.2	
-16	16	16,16S	19	16	1 -20 UNEF	1.112	.223	1.39	.99	5	.705	11.2	
-18	18	18	27	18	1 1/16-18 UNEF	1.198	.281	1.48	1.07	6	.784	12.7	
-20	20	20	37	20	1 3/16-18 UNEF	1.323	.281	1.66	1.07	7	.909	14.8	
-22	22	22		22	1 5/16-18 UNEF	1.448	.308	1.85	1.10	8	1.034	18.1	
-24	24	24		24	1 7/16-18 UNEF	1.573	.350	1.91	1.14	9	1.149	19.3	
-28		28			1 3/4 -18 UNS	1.969	.530	2.06	1.59	10	1.384	31.5	
-32		32			2 -18 UNS	2.219							
-36		36			2 1/4 -16 UN	2.469	.562	2.57	1.62	12	1.845	51.0	
-61			61		1 1/2-18 UNEF	1.636	.530	1.91	1.39	9	1.189	17.0	

REV.	DESCRIPTION	BY	DATE
	SEE SHEET 1		

TABLE I METRIC													
DASH NO	CONNECTOR SHELL SIZE				A THREAD CLASS 2B	B DIA MAX	C RAD	D MAX	LENGTH MAX	REF	CABLE ENTRY		
	NAS 1599 MIL-DTL-83723 SERIES 1 & 3	MIL-DTL-5015G CRIMP	AS81703 (NAVY) SERIES 3	MIL-C-26482 SERIES 2									
- 3			3		9/16-24 UNEF	17.0	2.9	24.1	22.4	2	6.7		
- 8	8	8S		8	1/2 -20 UNF	15.7	2.1	22.9	21.6	1	6.7		
-10	10	10S,10SL		10	5/8 -24 UNEF	18.6	2.9	24.1	22.4	2	9.4		
-12	12	12,12S	7	12	3/4 -20 UNEF	21.8	3.8	27.4	23.1	3	12.9		
-14	14	14,14S	12	14	7/8 -20 UNEF	25.0	4.8	33.8	24.1	4	14.7		
-16	16	16,16S	19	16	1 -20 UNEF	28.2	5.7	35.3	25.1	5	17.9		
-18	18	18	27	18	1 1/16-18 UNEF	30.4	7.1	37.6	27.2	6	19.9		
-20	20	20	37	20	1 3/16-18 UNEF	33.6	7.1	42.2	27.2	7	23.1		
-22	22	22		22	1 5/16-18 UNEF	36.8	7.8	47.0	27.9	8	26.3		
-24	24	24		24	1 7/16-18 UNEF	40.0	8.9	48.5	29.0	9	29.2		
-28		28			1 3/4 -18 UNS	50.0	13.5	51.0	40.4	10	35.2		
-32		32			2 -18 UNS	56.4							
-36		36			2 1/4 -16 UN	62.7	14.3	65.3	41.1	12	46.9		
-61			61		1 1/2-18 UNEF	41.6	13.5	48.5	35.2	9	30.2		

UNLESS OTHERWISE SPECIFIED DIMENSIONS ARE IN INCHES TOLERANCES:  FRACTIONS ± 1/16 DECIMALS .XX ±.03 .XXX ±.015 ANGLES ± 2°	DRAWN	T.LE	01/26/95	<b>GLENAIR, INC.</b> CAD 1995 <sup>©</sup> 1211 AIR WAY - GLENDALE - CALIFORNIA 91201					
	CHECK	P.O.	01/26/95						
	ENGR	P.OAKES	01/26/95						
	 APPROVED			QWIK-TY <sup>®</sup> , 90°, FOR CONNECTORS, PER TABLE I					
 APPROVED									
DO NOT SCALE THIS DRAWING	RELEASE DATE	01/26/95	ORIGINAL RELEASE DATE	10/09/70	CODE IDENT. NO.	SIZE	GTR71	REV.	P
B/F 8697	P/C 450AA	NON REPARABLE COMMERCIAL ITEM		SCALE N/A	WEIGHT N/A	SHEET 2 OF 2			

## X-ON Electronics

Largest Supplier of Electrical and Electronic Components

*Click to view similar products for [Circular MIL Spec Strain Reliefs & Adapters](#) category:*

*Click to view products by [Glenair](#) manufacturer:*

Other Similar products are found below :

[896227-000](#) [899170S004](#) [0113-023-000](#) [6000-063-0022](#) [CS6624-000](#) [620AB038Z136](#) [620AS001Z108](#) [620AS038Z112](#) [620AS038Z120](#)  
[620AS038Z132](#) [620FB038NF08](#) [620HA038NF09](#) [620HA038NF11](#) [620HA038NF13](#) [620HA038NF25](#) [620HB049NF17](#) [620HS038NF11](#)  
[620HS038Z121](#) [620HS042XM19](#) [620HS042XM25](#) [620HS048B17](#) [620MS064NF12](#) [620MS065Z107](#) [620MS065ZNU06](#) [627-123NF21-11](#)  
[627-125NF23-6](#) [630J041M06H](#) [630J041M20H](#) [637S010NF0212H](#) [637S010NF0416A](#) [640830-000](#) [659943-000](#) [66241-10A](#) [CW0597-000](#)  
[CW0598-000](#) [CW0948-000](#) [CY0122-000](#) [M85049/41-6A W/B](#) [M85049/42-12DS](#) [M85049/47N8](#) [M85049/51-1-14S](#) [M85049/51S16S](#)  
[M85049/60-1N16](#) [M85049/60-2G12W](#) [M85049/69-11N](#) [CZ3661-000](#) [D02922-000](#) [70.360.1628.0](#) [703797-000](#) [705825-000](#)