

**IT 40460-XX and IT 40460-XXS
Connector Mounting Gaskets
for Rear-Mounted Square Flange Receptacle**

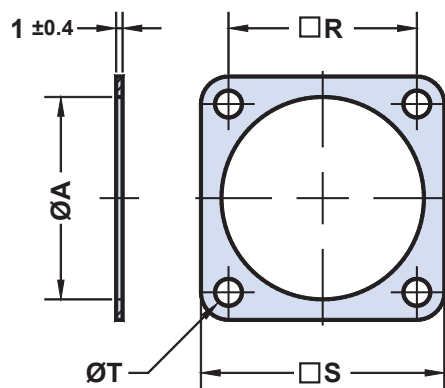


IT 40460-18 S

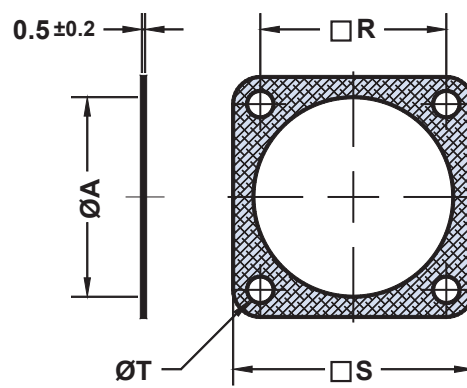
MIL-C-5015 Compatible
Accessory

Basic Part Number
and Shell Size Designator
(Table I)

S = Conductive
(Omit for Non-Conductive)



**IT 40460-XX
Non-Conductive**



**IT 40460-XXS
Conductive**

TABLE I: PART NUMBER AND SHELL SIZE DESIGNATOR

Part Number	Shell size	A +0.3	R -0.2	S -0.5	T +0.5
IT 40460 - 18	18	30.8	27.0	35.0	4.2
IT 40460 - 20	20	34.2	29.4	38.0	4.2
IT 40460 - 22	22	37.4	31.8	41.0	4.2
IT 40460 - 24	24	40.9	34.9	44.5	4.2
IT 40460 - 28	28	46.7	39.7	50.8	5.1
IT 40460 - 32	32	53.4	44.5	57.0	5.1
IT 40460 - 36	36	59.6	49.2	63.5	5.1
IT 40460 - 40	40	65.5	55.5	69.9	5.1

Application Notes:

1. Conductive and non-conductive gasket for rear-mount square flange connectors.
2. Other types of front and rear connector accessories are available.
See our website and/or contact the factory for complete information.

X-ON Electronics

Largest Supplier of Electrical and Electronic Components

Click to view similar products for [Circular MIL Spec Strain Reliefs & Adapters](#) category:

Click to view products by [Glenair](#) manufacturer:

Other Similar products are found below :

[896227-000](#) [899170S004](#) [0113-023-000](#) [6000-063-0022](#) [CS6624-000](#) [620AB038Z136](#) [620AS001Z108](#) [620AS038Z112](#) [620AS038Z120](#)
[620AS038Z132](#) [620FB038NF08](#) [620HA038NF09](#) [620HA038NF11](#) [620HA038NF13](#) [620HA038NF25](#) [620HB049NF17](#) [620HS038NF11](#)
[620HS038Z121](#) [620HS042XM19](#) [620HS042XM25](#) [620HS048B17](#) [620MS064NF12](#) [620MS065Z107](#) [620MS065ZNU06](#) [627-123NF21-11](#)
[627-125NF23-6](#) [630J041M06H](#) [630J041M20H](#) [637S010NF0212H](#) [637S010NF0416A](#) [640830-000](#) [659943-000](#) [66241-10A](#) [CW0597-000](#)
[CW0598-000](#) [CW0948-000](#) [CY0122-000](#) [M85049/41-6A W/B](#) [M85049/42-12DS](#) [M85049/47N8](#) [M85049/51-1-14S](#) [M85049/51S16S](#)
[M85049/60-1N16](#) [M85049/60-2G12W](#) [M85049/69-11N](#) [CZ3661-000](#) [D02922-000](#) [70.360.1628.0](#) [703797-000](#) [705825-000](#)