

ITB 02T-XX Receptacle Connector Cap with Stainless Steel Chain

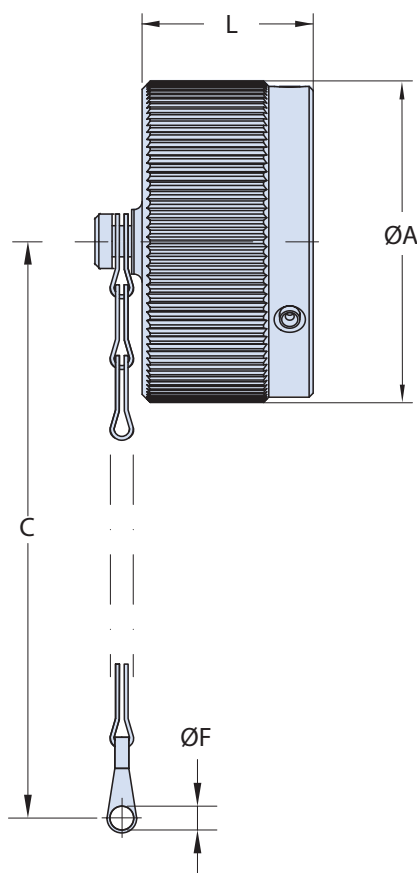
Basic Part Number and Shell
Size Designator (Table I)

Material/Finish Options
(Table II)

ITB

02T-32

XX



Application Notes

1. Metal protective cap for bayonet receptacle connectors with stainless steel chain.
2. Standard materials configuration consists of aluminum alloy. For platings, see TABLE II finish options.

ITB 02T-XX
Receptacle Connector Cap
with Stainless Steel Chain



TABLE I: RECEPTACLE CONNECTOR CAP PART NUMBERS, CONNECTOR SIZE AND DIMENSIONS

Part Number	Connector Size	ØA ±0.5	C Min.	ØF ±0.2 -0	L Max.
ITB 02T -10SL	10SL	22.6	108	4.3	16.0
ITB 02T -14	14S	29.0	108	4.3	16.0
ITB 02T -16	16S	32.0	108	4.3	16.0
ITB 02T -17	16	32.0	123	4.3	21.0
ITB 02T -18	18	36.5	123	4.3	21.7
ITB 02T -20	20	39.8	123	4.3	21.7
ITB 02T -22	22	43.0	123	4.3	21.7
ITB 02T -24	24	46.4	123	4.3	21.7
ITB 02T -28	28	53.0	206	5.6	21.7
ITB 02T -32	32	60.0	206	5.6	21.7
ITB 02T -36	36	66.2	206	5.6	21.7
ITB 02T -40	40	72.3	206	5.6	21.7

TABLE II

STANDARD MATERIAL AND FINISH (*)		
Sym	Description	RoHS
	Omit for Aluminum/ Cadmium Olive Drab	
F6	Aluminum/ Black Electrodeposited Paint	✓
F7	Aluminum/ Black Zinc Nickel	✓
F11	Aluminum/ Electroless Nickel	✓
MB	Marine Bronze/ Unplated	✓
FK	Stainless Steel/ Passivate	✓

(*) For further options, please contact the factory.

X-ON Electronics

Largest Supplier of Electrical and Electronic Components

Click to view similar products for [I/O Connectors](#) category:

Click to view products by [Glenair](#) manufacturer:

Other Similar products are found below :

[571763P](#) [58098-0628](#) [61-168618-12P](#) [D38999/20FJ24PA L/C](#) [D38999/20FJ29SB L/C](#) [D38999/24FG11SN L/C](#) [72.250.1628.2](#) [72.250.2428.2](#)
[74720-0505](#) [76.350.0729.0](#) [76871-1403](#) [FCN-244F080-G/1](#) [FCN-260A9920](#) [FCN-268D024-G/2F#10X-R10](#) [MP-5T180MUNNA-005](#) [MP-5XRJ45UNNB-003](#) [PCS-E50FA](#) [PCS-XE26LKA](#) [PCS-XE26MA+](#) [PCS-XES68MS+](#) [G38A71314B](#) [91-569719-35R](#) [9776-18-6](#) [DX40-50P\(55\)](#) [1571250010](#) [157-22500-3](#) [MS3476W12-10S L/C](#) [1888020-8](#) [91-569786-35H](#) [91-569786-35M](#) [91-644626-35P](#) [172501-4002](#)
[172501-6002](#) [FCN-260C008-A/L0](#) [FCN-260C024-AL0](#) [FCN-261Z008](#) [FCN-268D008-G/1K](#) [2000314-1](#) [200331-1](#) [2007498-2](#) [PCR-E28LMDAG1+](#) [PCR-E36FC+](#) [PCS-E28FS+](#) [PCS-XE26SLFD+](#) [PCS-XE26SLFDT+](#) [G38A71214B](#) [HDRA-E68W1LFDTC-SL+](#) [HDR-E14MSG1+](#) [R88A-CNK81S](#) [CRT1-ATT02](#)