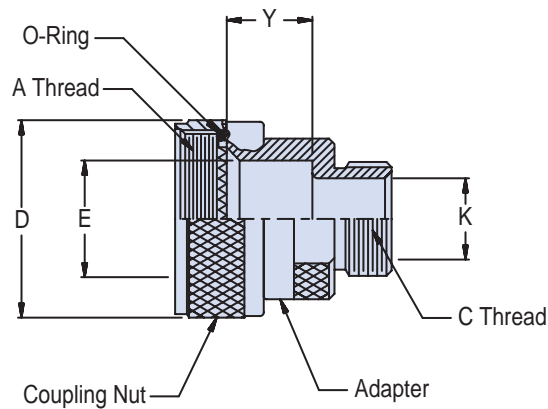
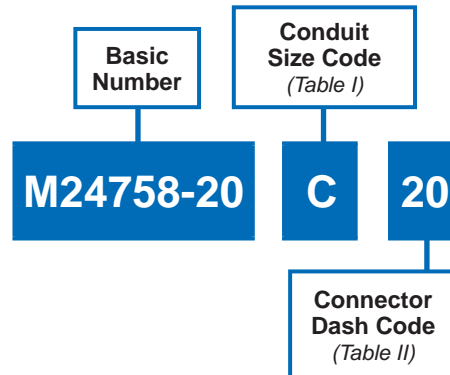


MIL-PRF-24758-20

Adapter for MIL-DTL-38999 Connectors

A



APPLICATION NOTES

1. Assembly identified with manufacturer's code identification number (Glenair, part number and classification code 490).
2. The M24758-20 adapter couples connectors listed in table II to M24758-2, M24758-3 or M24758-4 series fittings.
3. The coupling nut end of this adapter shall conform to AS85049.
4. The E diameter and M thread of this drawing are the same as AS85049 and are included for reference purposes.
5. See Glenair Circular Connector Accessories catalog for recommended torque values.
6. Material / Finish:
Adapter, coupling nut, 316 / electroless nickel, matte finish,
O-ring - silicone rubber N/A.
7. Metric dimensions (mm) are indicated in parentheses.

TABLE I

CONDUIT SIZE CODE	C CLASS - 2A THREAD	K DIA MIN
A	.438-28 UNEF	.245 (6.22)
B	.688-24 UNEF	.495 (12.57)
C	.938-20 UNEF	.745 (18.92)
D	1.250-18 UNEF	.995 (25.27)
E	1.563-18 UNEF	1.245 (31.62)
F	1.875-16 UN	1.495 (37.97)
G	2.375-16 UN	1.995 (50.67)
H	2.875-16 UN	2.495 (63.37)
J	.563-24 UNEF	.370 (9.40)
K	.813-20 UNEF	.620 (15.75)
L	3.375-16 UN	2.995 (76.07)

MIL-PRF-24758-20
Adapter for MIL-DTL-38999 Connectors



MIL-PRF
24758A

A

TABLE II: CONNECTOR DASH NUMBERS AND FITTING DIMENSIONS

CONN DASH NO.	MIL-DTL-38999 SERIES 1 & 2	MIL-DTL-38999 SERIES 3 & 4	A Class - 2B THREAD	D DIA MAX	E DIA REF	Y (Style 01) ± .03 (0.8)
08	08	--	.438-28 UNEF	.860 (21.84)	.269 (6.83)	.620 (15.7)
10	10	--	.562-24 UNEF	.980 (24.89)	.402 (10.21)	.620 (15.7)
12	12	--	.688-24 UNEF	1.160 (29.46)	.516 (13.11)	.620 (15.7)
14	14	--	.812-20 UNEF	1.280 (32.51)	.641 (16.28)	.620 (15.7)
16	16	--	.938-20 UNEF	1.410 (35.81)	.766 (19.46)	.750 (19.1)
18	18	--	1.062-18 UNEF	1.520 (38.61)	.863 (21.92)	.750 (19.1)
20	20	--	1.188-18 UNEF	1.640 (41.66)	.988 (25.10)	.750 (19.1)
22	22	--	1.312-18 UNEF	1.770 (44.96)	1.113 (28.70)	.810 (20.6)
24	24	--	1.438-18 UNEF	1.890 (48.01)	1.238 (31.45)	.810 (20.6)
09	--	A / 09	M12 X 1.0 - 6H	.860 (21.84)	.269 (6.83)	.620 (15.7)
11	--	B / 11	M15 X 1.0 - 6H	.980 (24.89)	.402 (10.21)	.620 (15.7)
13	--	C / 13	M18 X 1.0 - 6H	1.160 (29.46)	.516 (13.11)	.690 (17.5)
15	--	D / 15	M22 X 1.0 - 6H	1.280 (32.51)	.641 (16.28)	.690 (17.5)
17	--	E / 17	M25 X 1.0 - 6H	1.410 (35.81)	.766 (19.46)	.750 (19.1)
19	--	F / 19	M28 X 1.0 - 6H	1.520 (38.61)	.863 (21.92)	.750 (19.1)
21	--	G / 21	M31 X 1.0 - 6H	1.640 (41.66)	.988 (25.10)	.750 (19.1)
23	--	H / 23	M34 X 1.0 - 6H	1.770 (44.96)	1.113 (28.70)	.810 (20.6)
25	--	J / 25	M37 X 1.0 - 6H	1.890 (48.01)	1.238 (31.45)	.810 (20.6)

X-ON Electronics

Largest Supplier of Electrical and Electronic Components

Click to view similar products for [Circular MIL Spec Tools, Hardware & Accessories](#) *category:*

Click to view products by [Glenair](#) *manufacturer:*

Other Similar products are found below :

[0113-201-2025](#) [600-079-06](#) [600-146-06](#) [M10-101983-183](#) [M10-454396-008](#) [602GB18808](#) [CS3102A-22-14PW](#) [M2887615-CD](#) [627-009](#)
[M38999/9-19B](#) [630A007NF083A](#) [630B007M051A](#) [630BJ003NF032H](#) [637-149NF04B](#) [M39029/29-215](#) [6408-203V-09273](#) [6426-201-11343](#)
[650FS002NF16](#) [660-008NF14S7-01](#) [660-009M22H8-03](#) [660-013NF19U6-210](#) [660-015M10S6-17](#) [660-015NF10S5-01](#) [660-015NF14R3.5-01](#)
[660-023NF19H6-19](#) [660-024NF11S12-01](#) [660-024NF11S3-01](#) [660-024NF17S4-109](#) [660-050XM17F4-01](#) [660-068NF25R6-30G](#) [660-](#)
[070M23S8-04](#) [660-073MTCH9-20](#) [M83723/61-18W](#) [M83723/61-218R](#) [M83723/61-224W](#) [667-084-23C](#) [667-084-35C](#) [667-224NF16](#) [687-](#)
[697NF-1](#) [M85049/94-10-A](#) [M85049/96-7-A](#) [M855282-10A01A](#) [M85528/2-10B](#) [M855282-18A01A](#) [M85528/2-22A01A](#) [M85528/2-22AA](#)
[710HS460NF2508](#) [780-001-22G12-SK](#) [780-002-19G12-SK](#) [780-002-20G12SK](#)