

M28840/2 90° Strain Relief



MIL-DTL
28840

Military Designator

Shell Size Designator

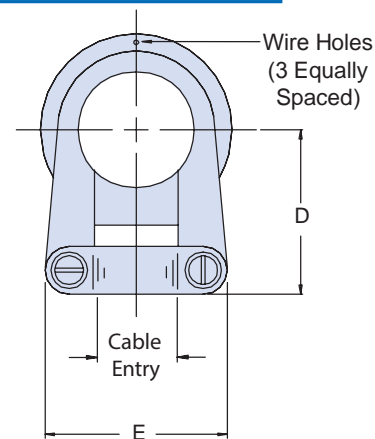
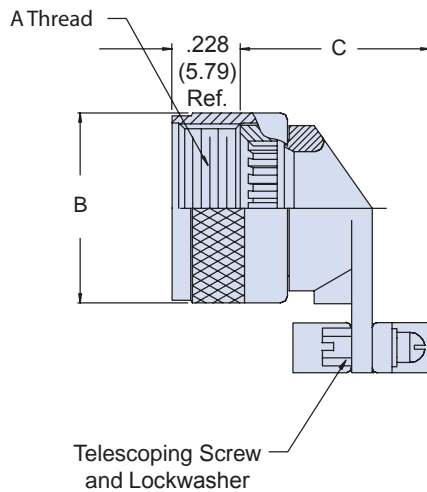
M28840/2

J

W

Material and Finish

W - Aluminum, Cadmium Plate,
O.D. over Electroless Nickel
D - Corrosion Resistant Steel,
Cadmium Plate, Black



B

Designator	A Thread Class 2B	B Max. Diameter	C Max.	D Max.	E Max.	Screw Size Ref.	Cable Entry	
							Min.	Max.
A (11)	.750-20 UNEF	1.028 (26.11)	1.071 (27.20)	.929 (23.60)	.903 (22.94)	.114-40	.177 (4.50)	.286 (7.26)
B (13)	.875-20 UNEF	1.141 (28.98)	1.071 (27.20)	.929 (23.60)	.977 (24.82)	.114-40	.177 (4.50)	.286 (7.26)
C (15)	1.000-20 UNEF	1.263 (32.08)	1.280 (32.51)	1.056 (26.82)	1.151 (29.24)	.114-40	.250 (6.35)	.416 (10.57)
D (17)	1.125-18 UNEF	1.387 (35.23)	1.392 (35.36)	1.233 (31.32)	1.281 (32.54)	.114-40	.291 (7.39)	.476 (12.09)
E (19)	1.250-18 UNEF	1.513 (38.43)	1.517 (38.53)	1.296 (32.92)	1.406 (35.71)	.114-40	.348 (8.84)	.626 (15.90)
F (23)	1.438-18 UNEF	1.703 (43.26)	1.642 (41.71)	1.358 (34.49)	1.576 (40.03)	.134-32	.429 (10.90)	.831 (21.11)
G (25)	1.562-18 UNEF	1.825 (46.36)	1.767 (44.88)	1.420 (36.07)	1.666 (42.32)	.134-32	.523 (13.28)	.956 (24.28)
H (29)	1.875-16 UN	2.143 (54.43)	1.905 (48.39)	1.634 (41.50)	2.046 (51.97)	.134-32	.643 (16.33)	1.081 (27.46)
J (33)	2.062-16 UNS	2.329 (59.16)	1.968 (49.99)	1.859 (47.22)	2.209 (56.11)	.162-32	.704 (17.88)	1.187 (30.15)

X-ON Electronics

Largest Supplier of Electrical and Electronic Components

Click to view similar products for [Circular MIL Spec Strain Reliefs & Adapters](#) category:

Click to view products by [Glenair](#) manufacturer:

Other Similar products are found below :

[896227-000](#) [899170S004](#) [0113-023-000](#) [6000-063-0022](#) [CS6624-000](#) [620AB038Z136](#) [620AS001Z108](#) [620AS038Z112](#) [620AS038Z120](#)
[620AS038Z132](#) [620FB038NF08](#) [620HA038NF09](#) [620HA038NF11](#) [620HA038NF13](#) [620HA038NF25](#) [620HB049NF17](#) [620HS038NF11](#)
[620HS038Z121](#) [620HS042XM19](#) [620HS042XM25](#) [620HS048B17](#) [620MS064NF12](#) [620MS065Z107](#) [620MS065ZNU06](#) [627-123NF21-11](#)
[627-125NF23-6](#) [630J041M06H](#) [630J041M20H](#) [637S010NF0212H](#) [637S010NF0416A](#) [640830-000](#) [659943-000](#) [66241-10A](#) [CW0597-000](#)
[CW0598-000](#) [CW0948-000](#) [CY0122-000](#) [M85049/41-6A W/B](#) [M85049/42-12DS](#) [M85049/47N8](#) [M85049/51-1-14S](#) [M85049/51S16S](#)
[M85049/60-1N16](#) [M85049/60-2G12W](#) [M85049/69-11N](#) [CZ3661-000](#) [D02922-000](#) [70.360.1628.0](#) [703797-000](#) [705825-000](#)