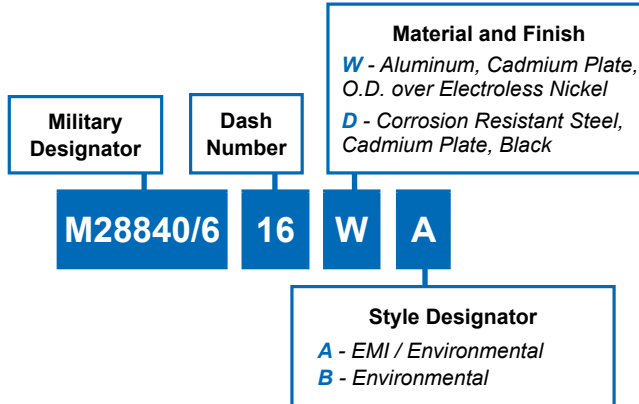


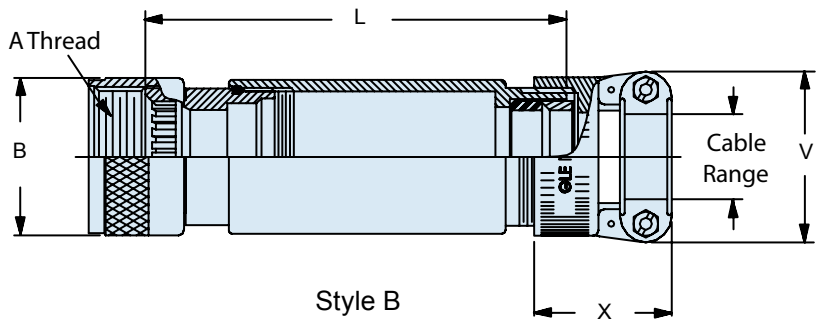
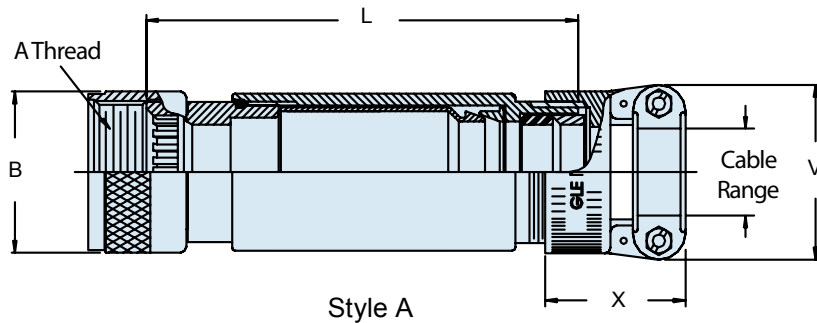
M28840/6 EMI/RFI Environmental Backshell



MIL-DTL
28840



B



Dash Number	Designator	A Thread Class 2B	B Diameter Max.	C Diameter Max.	D Diameter Min.	Cable Range	
						Max.	Min.
01	A (11)	.750-20 UNEF	1.028 (26.11)	1.156 (29.36)	.750 (19.05)	.312 (7.92)	.188 (4.77)
02	B (13)	.875-20 UNEF	1.141 (28.98)	1.156 (29.36)	.750 (19.05)	.312 (7.92)	.188 (4.77)
03	B (13)	.875-20 UNEF	1.141 (28.98)	1.156 (29.36)	.750 (19.05)	.438 (11.12)	.281 (7.14)
04	C (15)	1.000-20 UNEF	1.263 (32.08)	1.281 (32.54)	.875 (22.23)	.312 (7.92)	.188 (4.77)
05	C (15)	1.000-20 UNEF	1.263 (32.08)	1.281 (32.54)	.875 (22.23)	.438 (11.12)	.281 (7.14)
06	C (15)	1.000-20 UNEF	1.263 (32.08)	1.281 (32.54)	.875 (22.23)	.562 (14.27)	.344 (8.74)
07	C (15)	1.000-20 UNEF	1.263 (32.08)	1.406 (35.71)	1.000 (25.40)	.750 (19.05)	.438 (11.12)
08	D (17)	1.125-18 UNEF	1.387 (35.23)	1.406 (35.71)	1.000 (25.40)	.625 (15.87)	.375 (9.52)
09	D (17)	1.125-18 UNEF	1.387 (35.23)	1.406 (35.71)	1.000 (25.40)	.750 (19.05)	.438 (11.12)
10	D (17)	1.125-18 UNEF	1.387 (35.23)	1.531 (38.89)	1.125 (28.58)	.938 (23.82)	.625 (15.87)
11	E (19)	1.250-18 UNEF	1.513 (38.43)	1.531 (38.89)	1.125 (28.58)	.625 (15.87)	.375 (9.52)
12	E (19)	1.250-18 UNEF	1.513 (38.43)	1.531 (38.89)	1.125 (28.58)	.938 (23.82)	.625 (15.87)
13	F (23)	1.438-18 UNEF	1.703 (45.51)	1.656 (42.06)	1.250 (31.75)	.750 (19.05)	.438 (11.12)
14	F (23)	1.438-18 UNEF	1.703 (45.51)	1.656 (42.06)	1.250 (31.75)	.938 (23.82)	.625 (15.87)
15	F (23)	1.438-18 UNEF	1.703 (45.51)	1.781 (45.24)	1.375 (34.93)	1.188 (30.17)	.812 (20.62)
16	G (25)	1.562-18 UNEF	1.825 (46.35)	1.781 (45.24)	1.375 (34.93)	.938 (23.82)	.625 (15.87)
17	G (25)	1.562-18 UNEF	1.825 (46.35)	1.781 (45.24)	1.375 (34.93)	1.188 (30.17)	.812 (20.62)
18	G (25)	1.562-18 UNEF	1.825 (46.35)	1.781 (45.24)	1.375 (34.93)	1.250 (31.75)	.875 (22.23)
19	G (25)	1.562-18 UNEF	1.825 (46.35)	2.156 (54.76)	1.750 (44.45)	1.380 (35.05)	1.000 (25.4)
20	H (29)	1.875-16 UNS	2.143 (54.43)	2.156 (54.76)	1.750 (44.45)	1.188 (30.17)	.812 (20.62)
21	H (29)	1.875-16 UNS	2.143 (54.43)	2.156 (54.76)	1.750 (44.45)	1.380 (38.05)	1.000 (25.4)
22	J (33)	2.062-16 UNS	2.329 (59.16)	2.281 (57.94)	1.875 (47.63)	1.380 (38.05)	1.000 (25.4)
23	J (33)	2.062-16 UNS	2.329 (59.16)	2.281 (57.94)	1.875 (47.63)	1.625 (41.28)	1.250 (31.75)
24	A (11)	.750-20 UNEF	1.028 (26.11)	1.156 (29.36)	.750 (19.05)	.438 (11.12)	.281 (7.14)
25	A (11)	.750-20 UNEF	1.028 (26.11)	1.281 (32.54)	.875 (22.22)	.562 (14.27)	.344 (8.74)
26	B (13)	.875-30 UNEF	1.141 (28.98)	1.281 (32.54)	.875 (22.22)	.562 (14.27)	.344 (8.74)
27	B (13)	.875-30 UNEF	1.141 (28.98)	1.406 (35.71)	1.000 (25.4)	.625 (15.87)	.375 (9.52)
28	C (15)	1.000-20 UNEF	1.263 (32.08)	1.406 (35.71)	1.000 (25.4)	.625 (15.87)	.375 (9.52)

M28840/6 EMI/RFI Environmental Backshell



MIL-DTL
28840

B

Dash Number	Designator 1/	L ± .12 (± 3.05)	Working Room Ref.	V Thread Class 2*	X Max. Diameter	Y Ref
01	A (11)	3.62 (91.55)	2.00 (50.80)	.625-24 UNEF	1.281 (32.53)	.938 (23.82)
02	B (13)	3.62 (91.55)	2.00 (50.80)	.625-24 UNEF	1.281 (32.53)	.938 (23.82)
03	B (13)	3.62 (91.55)	2.00 (50.80)	.750-20 UNEF	1.281 (32.53)	1.125 (23.82)
04	C (15)	3.62 (91.55)	2.00 (50.80)	.625-24 UNEF	1.281 (32.53)	.938 (23.82)
05	C (15)	3.62 (91.55)	2.00 (50.80)	.750-20 UNEF	1.281 (32.53)	1.125 (28.57)
06	C (15)	3.62 (91.55)	2.00 (50.80)	.875-20 UNEF	1.281 (32.53)	1.312 (33.32)
07	C (15)	4.12 (104.65)	2.50 (63.50)	1.188-18 UNEF	1.312 (33.32)	1.593 (40.62)
08	D (17)	4.12 (104.65)	2.50 (63.50)	1.000-20 UNEF	1.281 (32.54)	1.312 (33.32)
09	D (17)	4.12 (104.65)	2.50 (63.50)	1.188-19 UNEF	1.312 (33.32)	1.593 (40.62)
10	D (17)	4.12 (104.65)	2.50 (63.50)	1.438-18 UNEF	1.406 (35.71)	1.750 (44.45)
11	E (19)	4.12 (104.65)	2.50 (63.50)	1.000-20 UNEF	1.281 (32.54)	1.312 (33.32)
12	E (19)	4.12 (104.65)	2.50 (63.50)	1.438-18 UNEF	1.406 (35.71)	1.750 (44.45)
13	F (23)	4.62 (117.35)	3.00 (76.20)	1.188-18 UNEF	1.312 (33.32)	1.593 (40.62)
14	F (23)	4.62 (117.35)	3.00 (76.20)	1.438-18 UNEF	1.406 (35.71)	1.750 (44.45)
15	F (23)	4.62 (117.35)	3.00 (76.20)	1.750-18 UNS	1.593 (40.46)	2.093 (53.16)
16	G (25)	4.62 (117.35)	3.00 (76.20)	1.438-18 UNEF	1.406 (35.71)	1.750 (44.45)
17	G (25)	5.12 (130.05)	3.50 (88.90)	1.750-18 UNS	1.593 (40.46)	2.093 (53.16)
18	G (25)	5.12 (130.05)	3.50 (88.90)	1.750-18 UNS	1.593 (40.46)	2.093 (53.16)
19	G (25)	5.12 (130.05)	3.50 (88.90)	2.000-18 UNS	1.625 (41.28)	2.343 (59.51)
20	H (29)	5.12 (130.05)	3.50 (88.90)	1.750-18 UNS	1.593 (40.46)	2.093 (53.16)
21	H (29)	5.12 (130.05)	3.50 (88.90)	2.000-18 UNS	1.625 (41.28)	2.343 (59.51)
22	J (33)	5.12 (130.05)	3.50 (88.90)	2.000-18 UNS	1.625 (41.28)	2.343 (59.51)
23	J (33)	5.12 (130.05)	3.50 (88.90)	2.250-16 UNS	1.900 (48.26)	2.750 (69.85)
24	A (11)	3.62 (91.95)	2.00 (50.80)	.750-20 UNEF	1.281 (32.54)	1.125 (28.57)
25	A (11)	3.62 (91.95)	2.00 (50.80)	.875-20 UNEF	1.281 (32.54)	1.312 (33.32)
26	B (13)	3.62 (91.95)	2.00 (50.80)	.875-20 UNEF	1.281 (32.54)	1.312 (33.32)
27	B (13)	4.12 (104.65)	2.50 (63.50)	1.000-20 UNEF	1.281 (32.54)	1.312 (33.32)
28	C (15)	4.12 (104.65)	2.50 (63.50)	1.000-20 UNEF	1.281 (32.54)	1.312 (33.32)

X-ON Electronics

Largest Supplier of Electrical and Electronic Components

Click to view similar products for [Circular MIL Spec Backshells](#) category:

Click to view products by [Glenair](#) manufacturer:

Other Similar products are found below :

[60-036152-022](#) [610HS012M15](#) [M28840/504WA](#) [M28840/805WB](#) [M28840/809WA](#) [M28840/815WA](#) [M28840/816WA](#) [627AS017M14](#)
[627MA124M14S](#) [655HS002NF11](#) [CW3899-000](#) [M85049/10-134S](#) [M85049/10-17S](#) [M85049/10-33S](#) [M85049/10-94W](#) [M85049/11-28N](#)
[M85049/11-37N](#) [M85049/11-53N](#) [M85049/11-63N](#) [M85049/124-23W](#) [M85049/1720N04B](#) [M85049/1821W05C](#) [M85049/1825W06C](#)
[M85049/1919N05](#) [M85049/23-74W](#) [M85049/24-71N](#) [M85049/25-47N](#) [M85049/25-94W](#) [M85049/27S12N](#) [M85049/39-11S](#) [M85049/39-17S](#)
[M85049/39-9S](#) [M85049/6-10B](#) [M85049/6-19N](#) [M85049/6-20B](#) [M85049/77-20W04](#) [M85049/78-11N03](#) [M85049/78-15W02](#) [M85049/78-](#)
[17N04](#) [M85049/78-19N05](#) [M85049/79-19N07](#) [M85049/79-25N04](#) [M85049/82-18N02](#) [M85049/82-22P02](#) [M85049/83-10W03](#) [M85049/84-](#)
[20N03](#) [M85049/8-48N](#) [M85049/85-24N01](#) [M85049/85-24P01](#) [M85049/86-16P03](#)