

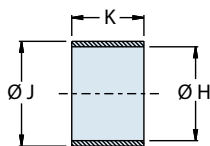
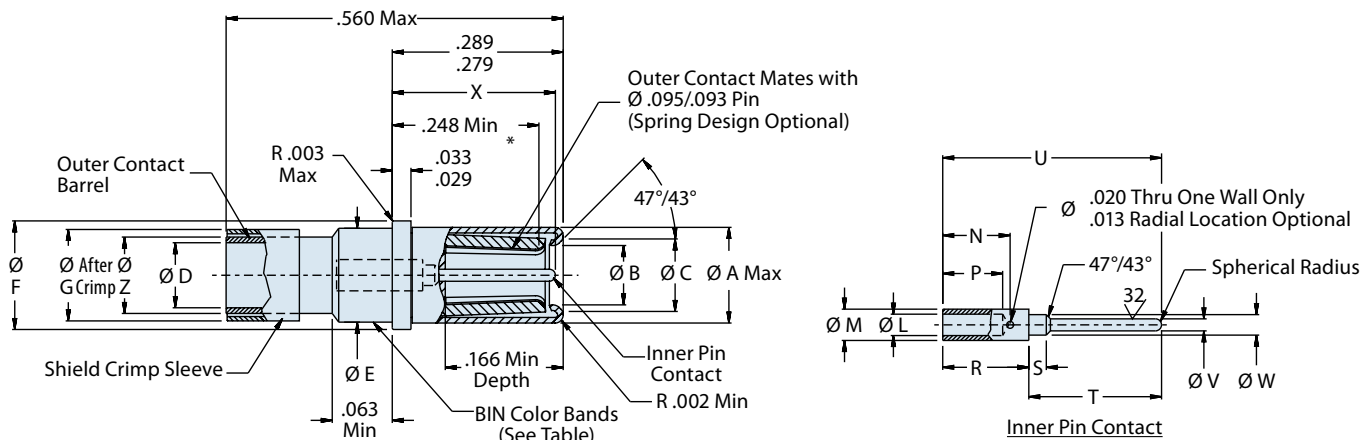
**D38999**  
 Series II

**Size #12 Coaxial Socket Contacts for MIL-DTL-38999 Series II Connectors**


These #12 contacts accept 50 ohm and 75 ohm coaxial cable. Inner contact is rated at 1 amp, the outer contact 12 amps. DWV rating is 1000 Vac rms sea level, 250 Vac at 50,000 feet. Contacts are packaged individually and shipped unassembled with instruction sheet. One contact consists of outer contact, fluorocarbon dielectric, inner contact and shield crimp sleeve. Inner and outer contacts are gold-plated copper alloy. Approved to SAE AS39029. 5000 megohm insulation resistance.

**B**

Type	Cable Accommodation	Part Number	Military Part Number	Color Band		
				1st	2nd	3rd
Socket	RG174, RG316, RG179	<b>852-001-12-210</b>	M39029/27-210	Red	Brown	Black
	RG180	<b>852-001-12-402</b>	M39029/27-402	Yellow	Black	Red
	Microdot 250-4070	<b>852-001-12-403</b>	M39029/27-403	Yellow	Black	Orange
	Raychem 48-502, 5022E5111	<b>852-001-12-404</b>	M39029/27-404	Yellow	Black	Yellow
	Raychem 48-950, 9530D5117	<b>852-001-12-405</b>	M39029/27-405	Yellow	Black	Green
	Raychem 7624D1311, 9527A1318	<b>852-001-12-406</b>	M39029/27-406	Yellow	Black	Blue
	Gore GWN1159A	<b>852-001-12-407</b>	M39029/27-407	Yellow	Black	Violet
	1550MU-16, -20, -40, -70 (D24643/28)	<b>852-001-12-408</b>	M39029/27-408	Yellow	Black	Gray



Shield Crimp Sleeve

**Material and Finish**

Contact Body: Copper Alloy/Gold Plated  
 Hood: Stainless Steel/Passivated  
 Center Contact: Copper Alloy/Gold Plated  
 Crimp Sleeve: Copper Alloy/Gold Plated  
 Insulator: Teflon

\* Indicates point at which a square ended pin of the same basic diameter as the mating contact first engages the outer contact spring

**M39029/27**  
**852-001**  
**Size 12 Coaxial Socket**



**Table I**

BIN Code	ØA Max	ØB	ØC	ØD Max	ØE	ØF	ØG Max	ØH Min	ØJ Max	K	ØL Min
210	0.161 (4.1)	0.100 (2.54) 0.097 (2.46)	0.123 (3.1) 0.118 (3.0)	0.090 (2.3)	0.151 (3.84) 0.148 (3.76)	0.182 (4.6) 0.179 (4.5)	0.156 (4.0)	0.127 (3.2)	0.169 (4.3)	0.125 (3.2) 0.115(2.9)	0.225 (5.7)
402	0.161 (4.1)	0.100 (2.54) 0.097 (2.46)	0.123 (3.1) 0.118 (3.0)	0.108 (2.7)	0.151 (3.84) 0.148 (3.76)	0.182 (4.6) 0.179 (4.5)	0.156 (4.0)	0.144 (3.7)	0.169 (4.3)	0.125 (3.2) 0.115(2.9)	0.225 (5.7)
403	0.161 (4.1)	0.100 (2.54) 0.097 (2.46)	0.123 (3.1) 0.118 (3.0)	0.108 (2.7)	0.151 (3.84) 0.148 (3.76)	0.182 (4.6) 0.179 (4.5)	0.156 (4.0)	0.144 (3.7)	0.169 (4.3)	0.125 (3.2) 0.115(2.9)	0.355 (9.0)
404	0.161 (4.1)	0.100 (2.54) 0.097 (2.46)	0.123 (3.1) 0.118 (3.0)	0.090 (2.3)	0.151 (3.84) 0.148 (3.76)	0.182 (4.6) 0.179 (4.5)	0.156 (4.0)	0.127 (3.2)	0.169 (4.3)	0.125 (3.2) 0.115(2.9)	0.355 (9.0)
405	0.161 (4.1)	0.100 (2.54) 0.097 (2.46)	0.123 (3.1) 0.118 (3.0)	0.090 (2.3)	0.151 (3.84) 0.148 (3.76)	0.182 (4.6) 0.179 (4.5)	0.156 (4.0)	0.127 (3.2)	0.169 (4.3)	0.125 (3.2) 0.115(2.9)	0.225 (5.7)
406	0.161 (4.1)	0.100 (2.54) 0.097 (2.46)	0.123 (3.1) 0.118 (3.0)	0.117 (3.0)	0.151 (3.84) 0.148 (3.76)	0.182 (4.6) 0.179 (4.5)	0.156 (4.0)	0.156 (4.0)	0.174 (4.4)	0.125 (3.2) 0.115(2.9)	0.27 (6.9)
407	0.161 (4.1)	0.100 (2.54) 0.097 (2.46)	0.123 (3.1) 0.118 (3.0)	0.090 (2.3)	0.151 (3.84) 0.148 (3.76)	0.182 (4.6) 0.179 (4.5)	0.156 (4.0)	0.144 (3.7)	0.169 (4.3)	0.125 (3.2) 0.115(2.9)	0.225 (5.7)
408	0.161 (4.1)	0.100 (2.54)	0.123 (3.1) 0.118 (3.0)	0.108 (2.7)	0.151 (3.84) 0.148 (3.76)	0.182 (4.6) 0.179 (4.5)	0.156 (4.0)	0.156 (4.0)	0.174 (4.4)	0.125 (3.2) 0.115(2.9)	0.355 (9.0)

**Table I (continued)**

BIN Code	ØM Max	N Min	P	R	S	T	U Ref	ØV	ØW	X	ØZ Max
210	0.052 (1.3)	0.112 (2.8)	0.103 (2.6) 0.096 (2.4)	0.146 (3.7) 0.140 (3.6)	0.039 (1.0) 0.033 (0.8)	0.222 (5.64) 0.219 (5.56)	0.364 (9.2)	0.0205 (0.52) 0.0195 (0.5)	0.035(0.9) 0.033 (0.8)	0.276 (7.0) 0.266 (6.8)	0.110 (2.8)
402	0.052 (1.3)	0.112 (2.8)	0.103 (2.6) 0.096 (2.4)	0.146 (3.7) 0.140 (3.6)	0.039 (1.0) 0.033 (0.8)	0.222 (5.64) 0.219 (5.56)	0.364 (9.2)	0.0205 (0.52) 0.0195 (0.5)	0.035(0.9) 0.033 (0.8)	0.276 (7.0) 0.266 (6.8)	0.127 (3.2)
403	0.052 (1.3)	0.112 (2.8)	0.103 (2.6) 0.096 (2.4)	0.146 (3.7) 0.140 (3.6)	0.039 (1.0) 0.033 (0.8)	0.222 (5.64) 0.219 (5.56)	0.364 (9.2)	0.0205 (0.52) 0.0195 (0.5)	0.035(0.9) 0.033 (0.8)	0.276 (7.0) 0.266 (6.8)	0.127 (3.2)
404	0.052 (1.3)	0.112 (2.8)	0.103 (2.6) 0.096 (2.4)	0.146 (3.7) 0.140 (3.6)	0.039 (1.0) 0.033 (0.8)	0.222 (5.64) 0.219 (5.56)	0.364 (9.2)	0.0205 (0.52) 0.0195 (0.5)	0.035(0.9) 0.033 (0.8)	0.276 (7.0) 0.266 (6.8)	0.110 (2.8)
405	0.052 (1.3)	0.112 (2.8)	0.103 (2.6) 0.096 (2.4)	0.146 (3.7) 0.140 (3.6)	0.039 (1.0) 0.033 (0.8)	0.222 (5.64) 0.219 (5.56)	0.364 (9.2)	0.0205 (0.52) 0.0195 (0.5)	0.035(0.9) 0.033 (0.8)	0.276 (7.0) 0.266 (6.8)	0.110 (2.8)
406	0.052 (1.3)	0.112 (2.8)	0.103 (2.6) 0.096 (2.4)	0.146 (3.7) 0.140 (3.6)	0.039 (1.0) 0.033 (0.8)	0.222 (5.64) 0.219 (5.56)	0.364 (9.2)	0.0205 (0.52) 0.0195 (0.5)	0.035(0.9) 0.033 (0.8)	0.276 (7.0) 0.266 (6.8)	0.136
407	0.052 (1.3)	0.112 (2.8)	0.103 (2.6) 0.096 (2.4)	0.146 (3.7) 0.140 (3.6)	0.039 (1.0) 0.033 (0.8)	0.222 (5.64) 0.219 (5.56)	0.364 (9.2)	0.0205 (0.52) 0.0195 (0.5)	0.035(0.9) 0.033 (0.8)	0.276 (7.0) 0.266 (6.8)	0.110 (2.8)
408	0.052 (1.3)	0.112 (2.8)	0.103 (2.6) 0.096 (2.4)	0.146 (3.7) 0.140 (3.6)	0.039 (1.0) 0.033 (0.8)	0.222 (5.64) 0.219 (5.56)	0.364 (9.2)	0.0205 (0.52) 0.0195 (0.5)	0.035(0.9) 0.033 (0.8)	0.276 (7.0) 0.266 (6.8)	0.127 (3.2)

**Table III**

Inner Contact		Outer Contact		Insertion Tool	Extraction Tool
Basic Crimping Tool	Positioner	Basic Crimping Tool	Positioner		
M22520/2-01	M22520/2-34	M22520/31-01	M22520/31-02	M81969/8-09 or M81969/14-04	M81969/8-10 or M81969/14-04

## X-ON Electronics

Largest Supplier of Electrical and Electronic Components

*Click to view similar products for [Circular MIL Spec Contacts](#) category:*

*Click to view products by [Glenair](#) manufacturer:*

Other Similar products are found below :

[006-0984-20](#) [006-1186-20](#) [601101N004](#) [CT0E20-22SS](#) [CT1N20-23SS](#) [CT2-36-10PCAU](#) [CT6F36-10PCA152](#) [M39029/106-616](#) [M39029/18-179](#) [M39029/30-222](#) [M39029/31-235](#) [M39029/48-318](#) [M39029/73-397](#) [M39029/9-133](#) [M39029/9-134](#) [M5000-054-0020L](#) [M5100-057-2162](#) [809-023](#) [809-111](#) [811393-000](#) [850-014](#) [FRCIR01-20-4S-F80-VO](#) [900062-6-8L](#) [97-45-1418P-5\(920\)](#) [97-45-1418S-4](#) [97-45-1622P-5](#) [97-45-1622S-4\(920\)](#) [97-45-1622S-5](#) [97-55-1622S-5](#) [D-602-0104CS076](#) [D-602-0106CS076](#) [AIC12-10P](#) [AIC12-12SG](#) [AIC12-14P](#) [AIC16-16PG](#) [AIC16-2024SG](#) [AIC16S-16PG](#) [AIC8-12P](#) [AIC8-12S](#) [AIC8-8SG](#) [AIC8-8SRAD](#) [1495044-1](#) [BA-4016-50LD](#) [162GB-149-20000-05](#) [BACC47CP2T](#) [BACC47DP4](#) [BACC47GC1A](#) [BACC47GN1](#) [173-900245-91](#) [CA02R28-12PA152F80](#)