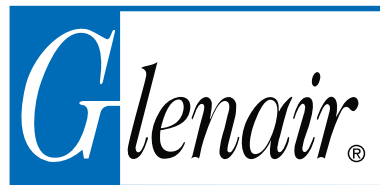


M83723/35N Non-Self-Locking E-Nut



MIL-DTL-83723

CONNECTOR DESIGNATOR:	
K	MIL-DTL-83723 Series II

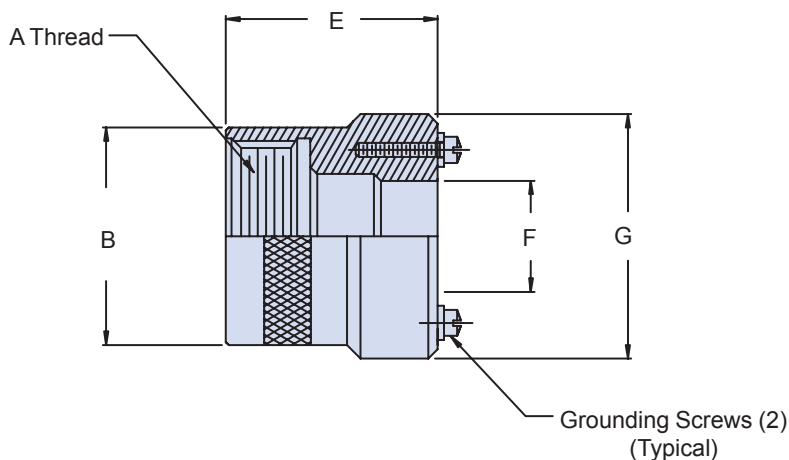
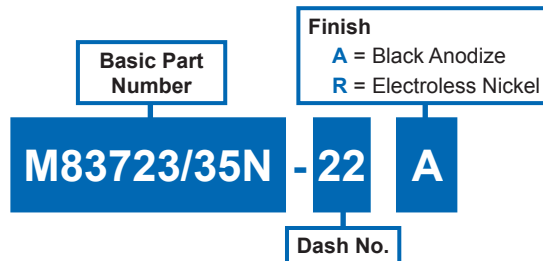


TABLE I: Dash Number, Shell Size, Thread and Dimensions

Dash No.	Shell Size Ref.	A Thread Class 2B	Ø B Max	E Max	F Max	G Max
08	8S	.438 - 28 UNEF	.59 (15.0)	.780 (19.8)	.257 (6.5)	.900 (22.9)
10	10S	.500 - 28 UNEF	.65 (16.5)	.780 (19.8)	.310 (7.9)	.900 (22.9)
11	10SL	.562 - 24 UNEF	.73 (18.5)	.780 (19.8)	.390 (9.9)	.980 (24.9)
13	12S	.625 - 24 UNEF	.77 (19.6)	.780 (19.8)	.415 (10.5)	.995 (25.3)
15	14S	.750 - 20 UNEF	.91 (23.1)	.780 (19.8)	.497 (12.6)	1.160 (29.5)
16	16	.875 - 20 UNEF	1.03 (26.2)	.970 (24.6)	.616 (15.6)	1.260 (32.0)
17	16S	.875 - 20 UNEF	1.03 (26.2)	.780 (19.8)	.616 (15.6)	1.260 (32.0)
18	18	1.000 - 20 UNEF	1.17 (29.7)	1.050 (26.7)	.735 (18.7)	1.455 (37.0)
20	33	1.125 - 18 UNEF	1.30 (33.0)	1.050 (26.7)	.875 (22.2)	1.580 (40.1)
22	20	1.250 - 18 UNEF	1.42 (36.1)	1.050 (26.7)	.983 (25.0)	1.580 (40.1)
24	22	1.375 - 18 UNEF	1.54 (39.1)	.970 (24.6)	1.095 (27.8)	1.890 (48.0)
28	28	1.625 - 18 UNEF	1.80 (45.7)	.970 (24.6)	1.255 (31.9)	1.890 (48.0)
32	32	1.875 - 16 UN	2.04 (51.8)	.970 (24.6)	1.525 (38.7)	2.215 (56.3)
36	36	2.125 - 16 UN	2.27 (57.7)	.970 (24.6)	1.760 (44.7)	2.405 (61.1)
40	40	2.375 - 16 UN	2.78 (70.6)	1.450 (36.8)	2.020 (51.3)	2.781 (70.6)

APPLICATION NOTES

- For complete dimensions, see the applicable Military Specification.
- Metric dimensions (mm) are indicated in parentheses.

Dimensions in inches (millimeters) and are subject to change without notice.

© 2013 Glenair, Inc.

Mil-Spec Backshells

U.S. CAGE Code 06324

Rev. 8.29.14

Printed in U.S.A.

E

X-ON Electronics

Largest Supplier of Electrical and Electronic Components

Click to view similar products for [Circular MIL Spec Backshells](#) category:

Click to view products by [Glenair](#) manufacturer:

Other Similar products are found below :

[60-036152-022](#) [610HS012M15](#) [M28840/504WA](#) [M28840/805WB](#) [M28840/809WA](#) [M28840/815WA](#) [M28840/816WA](#) [627AS017M14](#)
[627MA124M14S](#) [655HS002NF11](#) [CW3899-000](#) [M85049/10-134S](#) [M85049/10-17S](#) [M85049/10-33S](#) [M85049/10-94W](#) [M85049/11-28N](#)
[M85049/11-37N](#) [M85049/11-53N](#) [M85049/11-63N](#) [M85049/124-23W](#) [M85049/1720N04B](#) [M85049/1821W05C](#) [M85049/1825W06C](#)
[M85049/1919N05](#) [M85049/23-74W](#) [M85049/24-71N](#) [M85049/25-47N](#) [M85049/25-94W](#) [M85049/27S12N](#) [M85049/39-11S](#) [M85049/39-17S](#)
[M85049/39-9S](#) [M85049/6-10B](#) [M85049/6-19N](#) [M85049/6-20B](#) [M85049/77-20W04](#) [M85049/78-11N03](#) [M85049/78-15W02](#) [M85049/78-](#)
[17N04](#) [M85049/78-19N05](#) [M85049/79-19N07](#) [M85049/79-25N04](#) [M85049/82-18N02](#) [M85049/82-22P02](#) [M85049/83-10W03](#) [M85049/84-](#)
[20N03](#) [M85049/8-48N](#) [M85049/85-24N01](#) [M85049/85-24P01](#) [M85049/86-16P03](#)