



# M83723/50

## Straight, 45° and 90° Qwik-Ty® Strain Reliefs

### Non-Self-Locking

**CONNECTOR DESIGNATOR:**
**K** MIL-DTL-83723, Series II

**Basic Part Number**

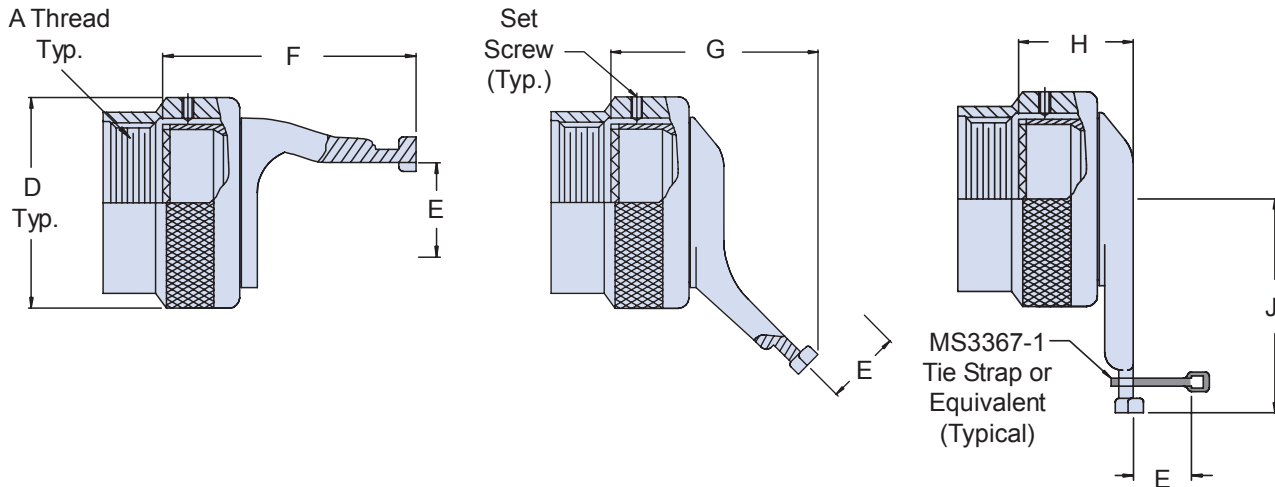
M83723/50R = Straight  
M83723/50B = 45°  
M83723/50A = 90°

**Angular Function**

R = Straight  
B = 45°  
A = 90°

**Shell Size**
**22**
**Finish**

A = Black Anodize  
N = Electroless Nickel

**M83723/50**
**R**
**22**
**N**

**TABLE I: Shell Size, Thread, Cable Entry and Backshell Dimensions**

Shell Size	A Thread Class 2B	D Dia Max	E Max Cable Entry	F Max	G Max	H Max	J Max
08	.438 - 28 UNEF	.620 (15.7)	.240 (6.1)	1.060 (26.9)	.740 (18.8)	.710 (18.0)	.880 (22.4)
10	.500 - 28 UNEF	.730 (18.5)	.295 (7.5)	1.060 (26.9)	.740 (18.8)	.710 (18.0)	.940 (23.9)
11	.562 - 24 UNEF	.730 (18.5)	.375 (9.5)	1.060 (26.9)	.740 (18.8)	.710 (18.0)	.940 (23.9)
12	.625 - 24 UNEF	.860 (21.8)	.400 (10.2)	1.120 (28.4)	.740 (18.8)	.710 (18.0)	1.000 (25.4)
13	.625 - 24 UNEF	.860 (21.8)	.400 (10.2)	1.120 (28.4)	.740 (18.8)	.710 (18.0)	1.000 (25.4)
14	.750 - 20 UNEF	.980 (24.9)	.482 (12.2)	1.300 (33.0)	2.010 (51.1)	.710 (18.0)	1.320 (33.5)
15	.750 - 20 UNEF	.980 (24.9)	.482 (12.2)	1.310 (33.3)	2.020 (51.3)	.710 (18.0)	1.320 (33.5)
16	.875 - 20 UNEF	1.110 (28.2)	.601 (15.3)	1.300 (33.0)	2.010 (51.1)	.710 (18.0)	1.370 (34.8)
17	.875 - 20 UNEF	1.110 (28.2)	.601 (15.3)	1.300 (33.0)	2.010 (51.1)	.710 (18.0)	1.370 (34.8)
18	1.000 - 20 UNEF	1.220 (31.0)	.722 (18.3)	1.360 (34.5)	2.170 (55.1)	.730 (18.5)	1.470 (37.3)
20	1.125 - 18 UNEF	1.350 (34.3)	.862 (21.9)	1.500 (38.1)	2.250 (57.2)	.740 (18.8)	1.510 (38.4)
22	1.250 - 18 UNEF	1.470 (37.3)	.970 (24.6)	1.620 (41.1)	2.250 (57.2)	.630 (16.0)	1.570 (39.9)
24	1.375 - 18 UNEF	1.590 (40.4)	1.082 (27.5)	1.680 (42.7)	2.330 (59.2)	.630 (16.0)	1.640 (41.7)
28	1.625 - 18 UNEF	1.970 (50.0)	1.241 (31.5)	1.710 (43.4)	2.330 (59.2)	.630 (16.0)	1.710 (43.4)

**APPLICATION NOTES**

1. Assembly identified with manufacturer's name and part number, space permitting.
2. For complete dimensions, see the applicable Military Specification.
3. Cable entry is defined as the accommodation range for the wire bundle or cable. Dimensions shown are not intended for inspection criteria.
4. Metric dimensions (mm) are in parentheses.

Dimensions in inches (millimeters) and are subject to change without notice.

## X-ON Electronics

Largest Supplier of Electrical and Electronic Components

*Click to view similar products for [Circular MIL Spec Backshells](#) category:*

*Click to view products by [Glenair](#) manufacturer:*

Other Similar products are found below :

[5M2920-3CW](#) [60-036152-022](#) [610HS012M15](#) [M28840/504WA](#) [M28840/805WB](#) [M28840/809WA](#) [M28840/815WA](#) [M28840/816WA](#)  
[627AS017M14](#) [627MA124M14S](#) [655HS002NF11](#) [CW3899-000](#) [M85049/10-134S](#) [M85049/10-17S](#) [M85049/10-33S](#) [M85049/10-94W](#)  
[M85049/11-28N](#) [M85049/11-37N](#) [M85049/11-53N](#) [M85049/11-63N](#) [M85049/124-23W](#) [M85049/1720N04B](#) [M85049/1821W05C](#)  
[M85049/1825W06C](#) [M85049/1919N05](#) [M85049/23-74W](#) [M85049/24-71N](#) [M85049/25-47N](#) [M85049/25-94W](#) [M85049/27S12N](#) [M85049/39-](#)  
[11S](#) [M85049/39-17S](#) [M85049/39-9S](#) [M85049/6-10B](#) [M85049/6-19N](#) [M85049/6-20B](#) [M85049/77-20W04](#) [M85049/78-11N03](#) [M85049/78-](#)  
[15W02](#) [M85049/78-17N04](#) [M85049/78-19N05](#) [M85049/79-19N07](#) [M85049/79-25N04](#) [M85049/82-18N02](#) [M85049/82-22P02](#) [M85049/83-](#)  
[10W03](#) [M85049/84-20N03](#) [M85049/8-48N](#) [M85049/85-24N01](#) [M85049/85-24P01](#)