

## CONNECTOR DESIGNATOR:

**H** MIL-DTL-38999, Series III and IV  
EN3645

### SELF-LOCKING COUPLING

## Configuration

— = Non-Self-Locking  
**N** = Non-Detented  
**G** = Self-Locking with Ground Lug  
**H** = Non-Detented with Ground Lug  
**S** = Self-Locking without Ground Lug

## Finish

**A** = Anodize, Black  
**N** = Electroless Nickel  
**W** = 1,000 Hour Cadmium Olive Drab  
 over Electroless Nickel  
**X** = Nickel Fluorocarbon Polymer  
**Y** = Pure Dense Electrodeposited  
 Aluminum  
**Z** = Zinc-Nickel, Black

## Basic Part Number

**M85049/15** = 45°  
**M85049/16** = 90°

**M85049/15**

**G**

**11**

**N**

Shell Size

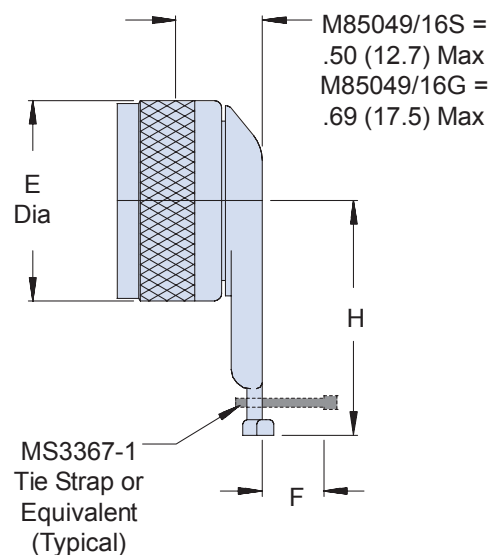
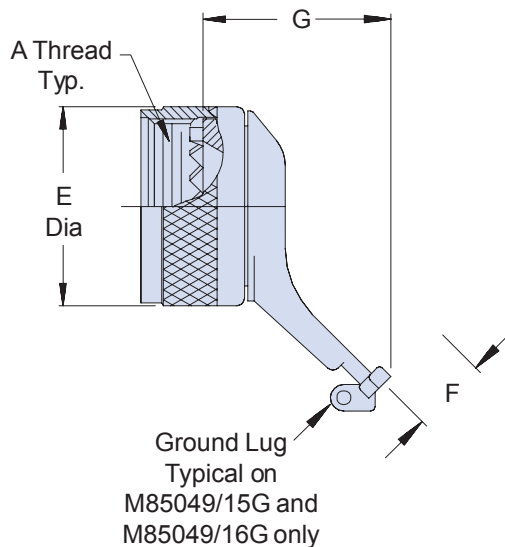


TABLE I: Shell Size, Thread, Cable Entry and Backshell Dimensions

| Shell Size | A Thread Class 2B | E Dia Max    | F Max Cable Entry | M85049/15S G Max | M85049/15G G Max | M85049/16 H Max |
|------------|-------------------|--------------|-------------------|------------------|------------------|-----------------|
| 9          | M12 X 1 - 6H      | .860 (21.8)  | .264 (6.7)        | 1.030 (26.2)     | 1.210 (30.7)     | 1.220 (31.0)    |
| 11         | M15 X 1 - 6H      | .984 (25.0)  | .392 (10.0)       | 1.030 (26.2)     | 1.210 (30.7)     | 1.290 (32.8)    |
| 13         | M18 X 1 - 6H      | 1.160 (29.5) | .506 (12.9)       | 1.030 (26.2)     | 1.390 (35.3)     | 1.620 (41.1)    |
| 15         | M22 X 1 - 6H      | 1.280 (32.5) | .631 (16.0)       | 1.090 (27.7)     | 1.390 (35.3)     | 1.660 (42.2)    |
| 17         | M25 X 1 - 6H      | 1.410 (35.8) | .756 (19.2)       | 1.110 (28.2)     | 1.390 (35.3)     | 1.720 (43.7)    |
| 19         | M28 X 1 - 6H      | 1.520 (38.6) | .845 (21.5)       | 1.210 (30.7)     | 1.390 (35.3)     | 1.720 (43.7)    |
| 21         | M31 X 1 - 6H      | 1.640 (41.7) | .970 (24.6)       | 1.260 (32.0)     | 1.390 (35.3)     | 1.790 (45.5)    |
| 23         | M34 X 1 - 6H      | 1.770 (45.0) | 1.095 (27.8)      | 1.300 (33.0)     | 1.390 (35.3)     | 1.850 (47.0)    |
| 25         | M37 X 1 - 6H      | 1.890 (48.0) | 1.220 (31.0)      | 1.340 (34.0)     | 1.390 (35.3)     | 1.910 (48.5)    |

## APPLICATION NOTES

1. Assembly identified with manufacturer's name and part number, space permitting.
2. For complete dimensions, see the applicable Military Specification.
3. Cable entry is defined as the accommodation range for the wire bundle or cable. Dimensions shown are not intended for inspection criteria.
4. Metric dimensions (mm) are in parentheses.

Dimensions in inches (millimeters) and are subject to change without notice.

## X-ON Electronics

Largest Supplier of Electrical and Electronic Components

*Click to view similar products for [Circular MIL Spec Backshells](#) category:*

*Click to view products by [Glenair](#) manufacturer:*

Other Similar products are found below :

[5M2919-3DW](#) [5M2953-1HW](#) [5PTC0023-28C](#) [5PTV7106-AC](#) [5PTV7107-HC](#) [610HS012M15](#) [M28840/805WB](#) [M28840/809WA](#)  
[M28840/815WA](#) [M28840/816WA](#) [655HS002NF11](#) [CW3899-000](#) [M85049/10-134S](#) [M85049/10-17S](#) [M85049/10-33S](#) [M85049/10-94W](#)  
[M85049/11-63N](#) [M85049/120-14W](#) [M85049/124-23W](#) [M85049/24-71N](#) [M85049/25-47N](#) [M85049/25-94W](#) [M85049/27S12N](#) [M85049/39-11S](#) [M85049/39-17S](#) [M85049/39-9S](#) [M85049/6-10B](#) [M85049/6-19N](#) [M85049/6-20B](#) [M85049/79-25N04](#) [M85049/81-10](#) [M85049/85-24P01](#)  
[M85049/86-16P03](#) [M85049/88-19P02](#) [M85049/88-21P02](#) [M85049/88-23P02](#) [M85049/89-11P03](#) [M85049/90-11J03](#) [M85049/90-13P02](#)  
[M85049/90-15P03](#) [M85049/90-19P02](#) [M85049/92-09T](#) [801-005-02Z19-19PA](#) [84030008](#) [8500-2472 900](#) [85202A14](#) [FRCIR020R-16-10P-F80-T108-VO](#) [FRCIR06R10SL-3PQF80T108VO](#) [8D105B02](#) [G65217M](#)