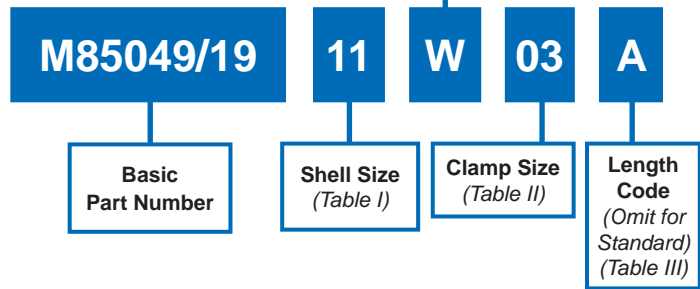


**AS85049/19**  
**Straight EMI/RFI Non-Environmental Backshell**

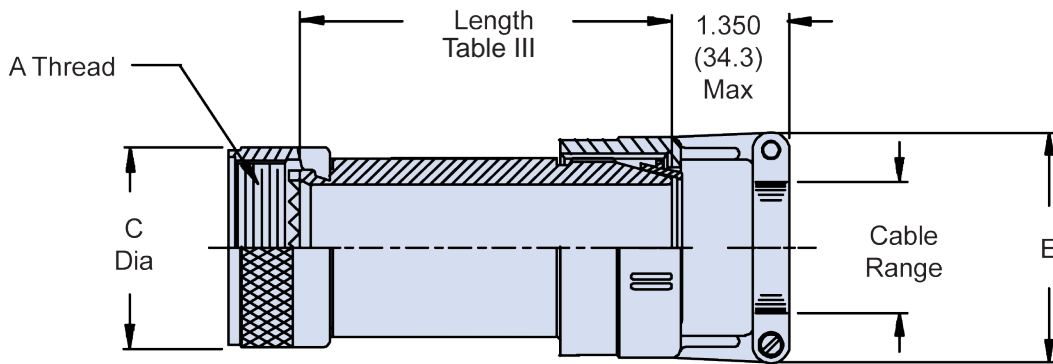


|                              |   |
|------------------------------|---|
| <b>CONNECTOR DESIGNATOR:</b> |   |
| <b>H</b>                     | MIL-DTL-38999 Series III and IV<br>EN3645 |

|  |
|--|
| <b>Finish</b>                          |
| <i>N</i> = Electroless Nickel          |
| <i>W</i> = Cadmium, Olive Drab         |
| <i>X</i> = Nickel Fluorocarbon Polymer |
| <i>Z</i> = Zinc Nickel                 |



B



**APPLICATION NOTES**

1. For complete dimensions see the applicable Military Specification.
2. Metric dimensions (mm) are in parentheses.
3. Cable Range is defined as the accommodation range for the wire bundle or cable. Dimensions shown are not intended for inspection criteria.

Dimensions in inches (millimeters) and are subject to change without notice.



## AS85049/19 Straight EMI/RFI Non-Environmental Backshell

TABLE I: Shell Size and Clamp Size

| Shell Size | Clamp Size |     | A Thread Class 6H | C Dia Max    |
|------------|------------|-----|-------------------|--------------|
|            | Min        | Max |                   |              |
| 9          | 01         | 02  | M12 X 1 - 6H      | .750 (19.1)  |
| 11         | 01         | 03  | M15 X 1 - 6H      | .850 (21.6)  |
| 13         | 02         | 04  | M18 X 1 - 6H      | 1.000 (25.4) |
| 15         | 02         | 05  | M22 X 1 - 6H      | 1.100 (27.9) |
| 17         | 02         | 06  | M25 X 1 - 6H      | 1.250 (31.8) |
| 19         | 03         | 07  | M28 X 1 - 6H      | 1.400 (35.6) |
| 21         | 03         | 08  | M31 X 1 - 6H      | 1.500 (38.1) |
| 23         | 03         | 09  | M34 X 1 - 6H      | 1.650 (41.9) |
| 25         | 04         | 10  | M37 X 1 - 6H      | 1.700 (43.2) |

TABLE II: Cable Range and Dimensions

| Clamp Size | Cable Range  |              | E Max        |
|------------|--------------|--------------|--------------|
|            | Min          | Max          |              |
| 01         | .062 (1.6)   | .125 (3.2)   | .800 (20.3)  |
| 02         | .125 (3.2)   | .250 (6.4)   | 1.000 (25.4) |
| 03         | .250 (6.4)   | .375 (9.5)   | 1.100 (27.9) |
| 04         | .312 (7.9)   | .500 (12.7)  | 1.200 (30.5) |
| 05         | .437 (11.1)  | .625 (15.9)  | 1.250 (31.8) |
| 06         | .562 (14.3)  | .750 (19.1)  | 1.400 (35.6) |
| 07         | .687 (17.4)  | .875 (22.2)  | 1.500 (38.1) |
| 08         | .812 (20.6)  | 1.000 (25.4) | 1.650 (41.9) |
| 09         | .937 (23.8)  | 1.125 (28.6) | 1.750 (44.5) |
| 10         | 1.062 (27.0) | 1.250 (31.8) | 1.900 (48.3) |

TABLE III: Length Code

| Length Code | Available Shell Sizes | Length        |
|-------------|-----------------------|---------------|
| Std.        | 9 - 25                | 1.500 (38.1)  |
| A           | 9 - 25                | 2.500 (63.5)  |
| B           | 15 - 25               | 3.500 (88.9)  |
| C           | 21 - 25               | 4.500 (114.3) |

Dimensions in inches (millimeters) and are subject to change without notice.

## X-ON Electronics

Largest Supplier of Electrical and Electronic Components

*Click to view similar products for [D-Sub Backshells](#) category:*

*Click to view products by [Glenair](#) manufacturer:*

Other Similar products are found below :

[600X54009X](#) [600X56025X](#) [M85049/86-12N03](#) [70.350.0636.4](#) [70.350.2435.1](#) [72.350.1035.2](#) [72.352.2435.1](#) [73.359.4035.3](#) [829472-1](#) [PCS-E20W](#) [971-009-040R011](#) [971-015-040R011](#) [975T015-020R121](#) [DD19678-4](#) [DD-C4-J13-S1](#) [DPH-B-003](#) [165X02659X](#) [165X10899X](#) [165X11359X](#) [165X11689X](#) [165X13169X](#) [165X13199X](#) [165X13449X](#) [165X14219X](#) [165X14449X](#) [L171373](#) [971-037-040R011](#) [300X11139X](#) [975T025-020R121](#) [165X00809X](#) [165X11279X](#) [165X11629XE](#) [165X11699X](#) [165X11789X](#) [165X14029X](#) [165X17189X](#) [165X17559X](#) [300X10179X](#) [500-047M37H](#) [500E012J37H](#) [500S010M37H09](#) [500S010M51H10](#) [500T010E15B07](#) [500T010J09H05](#) [500T010J21H08](#) [500T010M09B07](#) [500T010M09F08B](#) [500T010M15E08B](#) [500T010M15F05B](#) [500T010M15H08L](#)