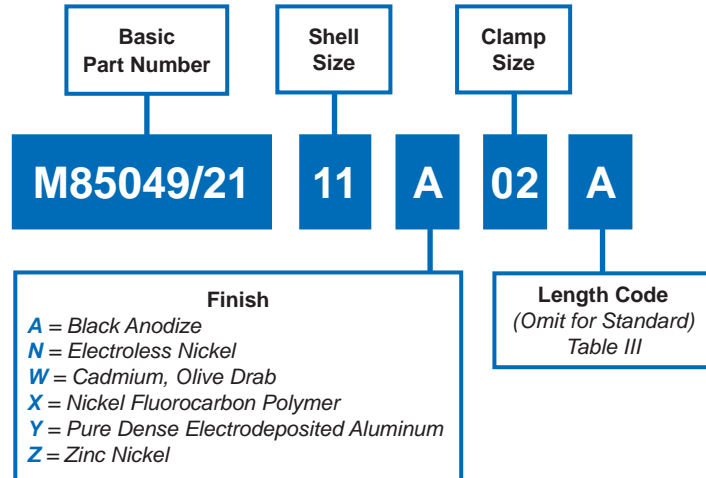
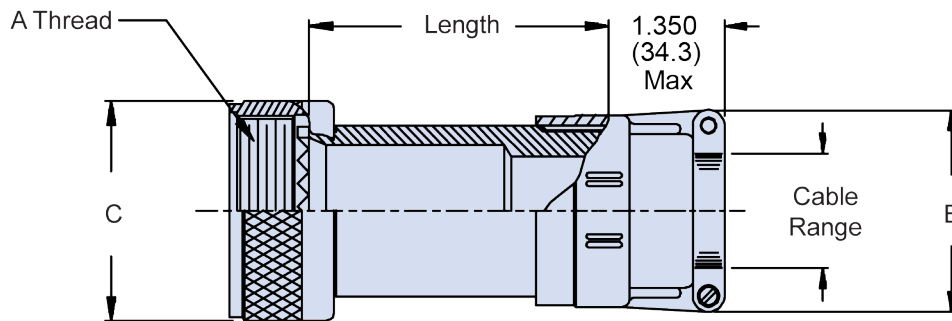


## CONNECTOR DESIGNATOR:

**H** MIL-DTL-38999 Series III and IV  
EN3645



Code	Length ± .032 (0.8)
Standard	1.50 (38.1)
A	2.50 (63.5)
B	3.50 (88.9)
C	4.50 (114.3)



Shell Size	Clamp Size*		A Thread Class 6H	C Dia Max
	Min	Max		
9	01	02	M12 X 1 - 6H	.750 (19.1)
11	01	03	M15 X 1 - 6H	.850 (21.6)
13	02	04	M18 X 1 - 6H	1.000 (25.4)
15	02	05	M22 X 1 - 6H	1.100 (27.9)
17	02	06	M25 X 1 - 6H	1.250 (31.8)
19	03	07	M28 X 1 - 6H	1.400 (35.6)
21	03	08	M31 X 1 - 6H	1.500 (38.1)
23	03	09	M34 X 1 - 6H	1.650 (41.9)
25	04	10	M37 X 1 - 6H	1.750 (44.5)

\*Clamp Size from Table IV, AS85049/21 Specifications.

Clamp Size	Cable Range		E Max
	Min	Max	
01	.062 (1.6)	.125 (3.2)	.800 (20.3)
02	.125 (3.2)	.250 (6.4)	1.000 (25.4)
03	.250 (6.4)	.375 (9.5)	1.100 (27.9)
04	.312 (7.9)	.500 (12.7)	1.200 (30.5)
05	.437 (11.1)	.625 (15.9)	1.250 (31.8)
06	.562 (14.3)	.750 (19.1)	1.400 (35.6)
07	.687 (17.4)	.875 (22.2)	1.500 (38.1)
08	.812 (20.6)	1.000 (25.4)	1.650 (41.9)
09	.937 (23.8)	1.125 (28.6)	1.750 (44.5)
10	1.062 (27.0)	1.250 (31.8)	1.900 (48.3)

## APPLICATION NOTES

- For complete dimensions see the applicable Military Specification.
- Metric dimensions (mm) are in parentheses.
- Cable Range is defined as the accommodation range for the wire bundle or cable. Dimensions shown are not intended for inspection criteria.

Dimensions in inches (millimeters) and are subject to change without notice.

## X-ON Electronics

Largest Supplier of Electrical and Electronic Components

*Click to view similar products for [D-Sub Backshells](#) category:*

*Click to view products by [Glenair](#) manufacturer:*

Other Similar products are found below :

[600X54009X](#) [600X56025X](#) [M85049/48-1-2](#) [M85049/86-12N03](#) [70.350.0636.4](#) [70.350.2435.1](#) [72.350.1035.2](#) [72.352.2435.1](#) [73.359.4035.3](#)  
[829472-1](#) [PCS-E20W](#) [970-015-040R011](#) [971-009-040R011](#) [975T015-020R121](#) [DD19678-4](#) [DD-C4-J13-S1](#) [DPH-B-003](#) [165X02659X](#)  
[165X10899X](#) [165X11689X](#) [165X13169X](#) [165X13449X](#) [165X14219X](#) [165X14449X](#) [L171373](#) [971-037-040R011](#) [300X11139X](#) [975T025-](#)  
[020R121](#) [165X00809X](#) [165X11629XE](#) [165X17189X](#) [165X17559X](#) [300X10179X](#) [500-047M37H](#) [500E012J37H](#) [500S010M37H09](#)  
[500S010M51H10](#) [500T010E15B07](#) [500T010J09H05](#) [500T010J21H08](#) [500T010M09B07](#) [500T010M09F08B](#) [500T010M15E08B](#)  
[500T010M15F05B](#) [500T010M15H08L](#) [500T010M69H10](#) [500T010NF51H10](#) [557-083B1](#) [557-107M1-03B](#) [557B316M535TB8](#)