

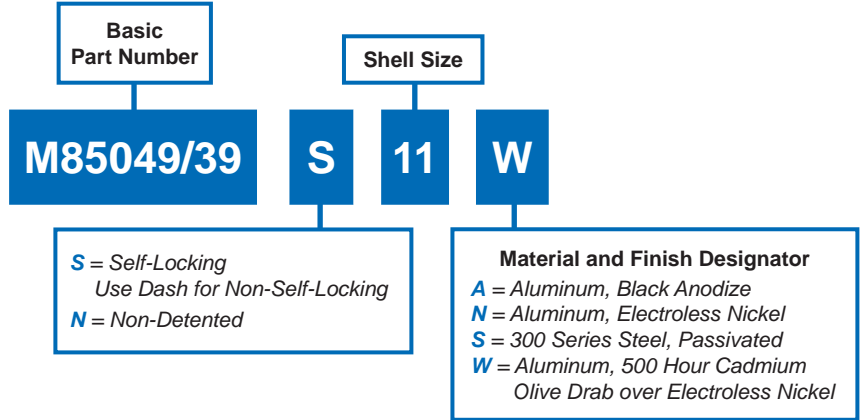
AS85049/39
90° Strain Relief
Self-Locking or Non-Self-Locking



AS85049

| CONNECTOR DESIGNATOR: | |
|-----------------------|---|
| H | MIL-DTL-38999 Series III & IV EN3645 |

**FOR NEW DESIGN
USE AS85049/126**



B

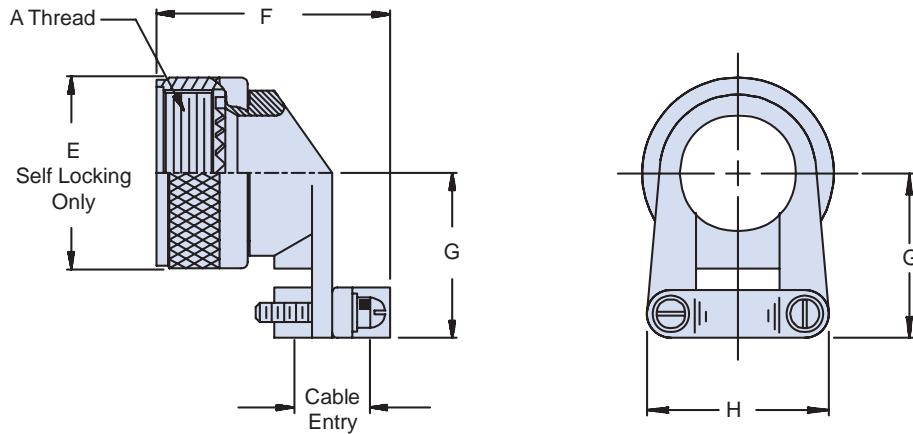


TABLE I: Shell Size, Cable Entry and Backshell Dimensions

| Shell Size | Shell Size Ref. | A Thread Class 2B | Ø E Max | | F Max | | G Max | | H Max | | Cable Entry | | | |
|------------|-----------------|-------------------|-------------------|--------|-------|--------|-------|--------|-------|--------|-------------|--------|------|--------|
| | | | Self-Locking Only | | | | | | | | Min | Max | | |
| 9 | A | M12 X 1 - 6H | .858 | (21.8) | 1.01 | (25.7) | 1.00 | (25.4) | .85 | (21.6) | .098 | (2.5) | .234 | (5.9) |
| 11 | B | M15 X 1 - 6H | .984 | (25.0) | 1.01 | (25.7) | 1.10 | (27.9) | .90 | (22.9) | .153 | (3.9) | .234 | (5.9) |
| 13 | C | M18 X 1 - 6H | 1.157 | (29.4) | 1.21 | (30.7) | 1.10 | (27.9) | 1.10 | (27.9) | .190 | (4.8) | .328 | (8.3) |
| 15 | D | M22 X 1 - 6H | 1.279 | (32.5) | 1.26 | (32.0) | 1.25 | (31.8) | 1.15 | (29.2) | .260 | (6.6) | .457 | (11.6) |
| 17 | E | M25 X 1 - 6H | 1.406 | (35.7) | 1.41 | (35.8) | 1.30 | (33.0) | 1.30 | (33.0) | .283 | (7.2) | .614 | (15.6) |
| 19 | F | M28 X 1 - 6H | 1.516 | (38.5) | 1.51 | (38.4) | 1.35 | (34.3) | 1.50 | (38.1) | .325 | (8.3) | .634 | (16.1) |
| 21 | G | M31 X 1 - 6H | 1.642 | (41.7) | 1.26 | (32.0) | 1.60 | (40.6) | 1.60 | (40.6) | .343 | (8.7) | .698 | (17.7) |
| 23 | H | M34 X 1 - 6H | 1.768 | (44.9) | 1.76 | (44.7) | 1.75 | (44.5) | 1.70 | (43.2) | .381 | (9.7) | .823 | (20.9) |
| 25 | J | M37 X 1 - 6H | 1.889 | (48.0) | 2.91 | (73.9) | 1.85 | (47.0) | 1.80 | (45.7) | .418 | (10.6) | .853 | (21.7) |

APPLICATION NOTES

1. Assembly to be identified with manufacturer's name and part number, space permitting.
2. Cable Entry is defined as the accommodation entry for the wire bundle or cable. Dimensions are not intended for inspection criteria.
3. For complete dimensions, see the applicable Military Specification.
4. Metric dimensions (mm) are in parentheses.

Dimensions in inches (millimeters) and are subject to change without notice.

X-ON Electronics

Largest Supplier of Electrical and Electronic Components

Click to view similar products for [Circular MIL Spec Backshells](#) category:

Click to view products by [Glenair](#) manufacturer:

Other Similar products are found below :

[5M2920-3CW](#) [60-036152-022](#) [610HS012M15](#) [M28840/504WA](#) [M28840/805WB](#) [M28840/809WA](#) [M28840/815WA](#) [M28840/816WA](#)
[627AS017M14](#) [627MA124M14S](#) [655HS002NF11](#) [CW3899-000](#) [M85049/10-134S](#) [M85049/10-17S](#) [M85049/10-33S](#) [M85049/10-94W](#)
[M85049/11-28N](#) [M85049/11-37N](#) [M85049/11-53N](#) [M85049/11-63N](#) [M85049/124-23W](#) [M85049/1720N04B](#) [M85049/1821W05C](#)
[M85049/1825W06C](#) [M85049/1919N05](#) [M85049/23-74W](#) [M85049/24-71N](#) [M85049/25-47N](#) [M85049/25-94W](#) [M85049/27S12N](#) [M85049/39-](#)
[11S](#) [M85049/39-17S](#) [M85049/39-9S](#) [M85049/6-10B](#) [M85049/6-19N](#) [M85049/6-20B](#) [M85049/77-20W04](#) [M85049/78-11N03](#) [M85049/78-](#)
[15W02](#) [M85049/78-17N04](#) [M85049/78-19N05](#) [M85049/79-19N07](#) [M85049/79-25N04](#) [M85049/82-18N02](#) [M85049/82-22P02](#) [M85049/83-](#)
[10W03](#) [M85049/84-20N03](#) [M85049/8-48N](#) [M85049/85-24N01](#) [M85049/85-24P01](#)