



AS85049/47 and MS27507 90° Strain Relief Self-Locking or Non-Self-Locking

CONNECTOR DESIGNATOR:

F MIL-DTL-38999 Series I and II

**FOR NEW DESIGN
USE AS85049/123**

**Basic
Part Number**

M85049/47

Material and Finish Designator

N = Aluminum, Electroless Nickel
S = 300 Series Steel, Passivated
W = Aluminum, 1000 Hour Cadmium
Olive Drab over Electroless Nickel

S

W

10

S = Self-Locking
Omit for Non-Self-Locking
N = Non-Detented, Self-Locking

Dash No.

Superseded Part Number

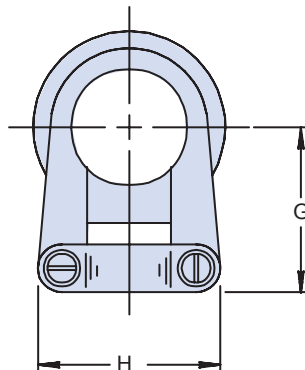
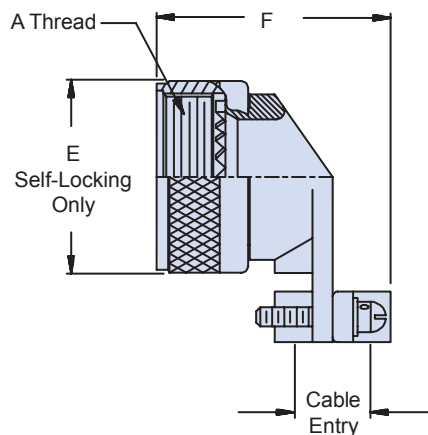
MS27507-B 10

**Basic Part No.
(Non-Self-
Locking)**

Dash No.

Metal and Finish Designator

A = Aluminum Cadmium Olive Drab over Electroless Nickel
C = Aluminum, Cadmium Olive Drab
N = Aluminum, Electroless Nickel
D = 300 Series Steel, Cadmium Black Plate
S = 300 Series Steel, Passivate



APPLICATION NOTES

1. Assembly to be identified with manufacturer's name and part number, space permitting.
2. Cable Entry is defined as the accommodation entry for the wire bundle or cable.
3. Dimensions are not intended for inspection criteria.
4. For complete dimensions, see the applicable Military Specification.
5. Metric dimensions (mm) are in parentheses.

TABLE I: Shell Size, Cable Entry and Backshell Dimensions

Dash No.	Shell Size Ref.	A Thread Class 2B	Ø E Max		F Max		G Max		H Max		Cable Entry			
											Min	Max		
8	8/9	.438 - 28 UNEF	.86	(21.8)	1.38	(35.1)	1.00	(25.4)	.85	(21.6)	.098	(2.5)	.234	(5.9)
10	10/11	.562 - 24 UNEF	.98	(24.9)	1.38	(35.1)	1.10	(27.9)	.90	(22.9)	.153	(3.9)	.234	(5.9)
12	12/13	.688 - 24 UNEF	1.16	(29.5)	1.46	(37.1)	1.10	(27.9)	1.10	(27.9)	.190	(4.8)	.328	(8.3)
14	14/15	.813 - 20 UNEF	1.28	(32.5)	1.63	(41.4)	1.25	(31.8)	1.15	(29.2)	.260	(6.6)	.457	(11.6)
16	16/17	.938 - 20 UNEF	1.41	(35.8)	1.80	(45.7)	1.30	(33.0)	1.30	(33.0)	.283	(7.2)	.614	(15.6)
18	18/19	1.063 - 18 UNEF	1.52	(38.6)	1.82	(46.2)	1.35	(34.3)	1.50	(38.1)	.325	(8.3)	.634	(16.1)
20	20/21	1.188 - 18 UNEF	1.64	(41.7)	1.90	(48.3)	1.60	(40.6)	1.60	(40.6)	.343	(8.7)	.698	(17.7)
22	22/23	1.313 - 18 UNEF	1.77	(45.0)	2.04	(51.8)	1.75	(44.5)	1.70	(43.2)	.381	(9.7)	.823	(20.9)
24	24/25	1.438 - 18 UNEF	1.89	(48.0)	2.15	(54.6)	1.85	(47.0)	1.80	(45.7)	.418	(10.6)	.853	(21.7)

Dimensions in inches (millimeters) and are subject to change without notice.

X-ON Electronics

Largest Supplier of Electrical and Electronic Components

Click to view similar products for [Circular MIL Spec Strain Reliefs & Adapters](#) category:

Click to view products by [Glenair](#) manufacturer:

Other Similar products are found below :

[896227-000](#) [899170S004](#) [0113-023-000](#) [6000-063-0022](#) [CS6624-000](#) [620AB038Z136](#) [620AS001Z108](#) [620AS038Z112](#) [620AS038Z120](#)
[620AS038Z132](#) [620FB038NF08](#) [620HA038NF09](#) [620HA038NF11](#) [620HA038NF13](#) [620HA038NF25](#) [620HB049NF17](#) [620HS038NF11](#)
[620HS038Z121](#) [620HS042XM19](#) [620HS042XM25](#) [620HS048B17](#) [620MS064NF12](#) [620MS065Z107](#) [620MS065ZNU06](#) [627-123NF21-11](#)
[627-125NF23-6](#) [630J041M06H](#) [630J041M20H](#) [637S010NF0212H](#) [637S010NF0416A](#) [640830-000](#) [659943-000](#) [66241-10A](#) [CW0597-000](#)
[CW0598-000](#) [CW0948-000](#) [CY0122-000](#) [M85049/41-6A W/B](#) [M85049/42-12DS](#) [M85049/47N8](#) [M85049/51-1-14S](#) [M85049/51S16S](#)
[M85049/60-1N16](#) [M85049/60-2G12W](#) [M85049/69-11N](#) [CZ3661-000](#) [D02922-000](#) [70.360.1628.0](#) [703797-000](#) [705825-000](#)