

M85049/48-1 Rectangular Strain-Relief Backshells for Unjacketed Wire Bundles

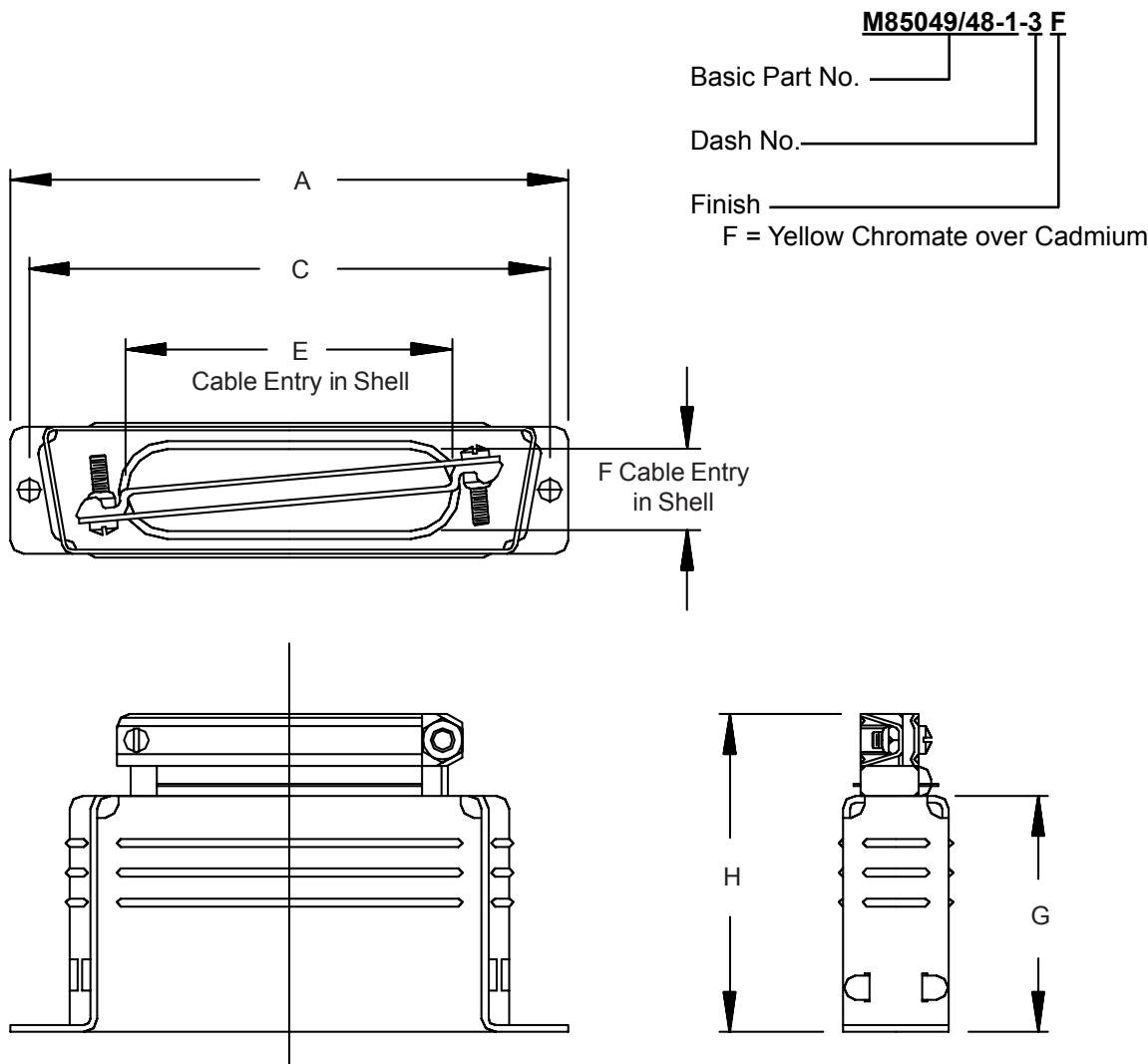


TABLE I: CONNECTOR INTERFACE, CABLE ENTRY & BACKSHELL DIMENSIONS											
Dash No.	A		C		E		F		G		H Max
	±.015	(0.4)	±.005	(.1)	±.015	(0.4)	±.015	(0.4)	±.015	(0.4)	
1	1.203	(30.6)	.984	(25.0)	.375	(9.5)	.375	(9.5)	.750	(19.1)	1.250 (31.8)
2	1.531	(38.9)	1.312	(33.3)	.713	(18.1)	.312	(7.9)	.750	(19.1)	1.250 (31.8)
3	2.078	(52.8)	1.852	(47.0)	1.000	(25.4)	.312	(7.9)	1.000	(25.4)	1.563 (39.7)
4	2.718	(69.0)	2.500	(63.5)	1.375	(34.9)	.312	(7.9)	1.000	(25.4)	1.563 (39.7)
5	2.625	(66.7)	2.406	(61.1)	1.406	(35.7)	.406	(10.3)	1.125	(28.6)	1.688 (42.9)

1. For complete dimensions see applicable Military Specification.
2. Metric dimensions (mm) are indicated in parentheses.
3. Material: Steel.

X-ON Electronics

Largest Supplier of Electrical and Electronic Components

Click to view similar products for [D-Sub MIL Spec Connectors](#) category:

Click to view products by [Glenair](#) manufacturer:

Other Similar products are found below :

[M85049/50-5F](#) [D38999/24WG11PB-LC](#) [MDM-15PH003L-K139](#) [MDM-21PH003L-K139](#) [MDM-9SH006A](#) [1218697-4](#) [D38999/26WJ61PC](#)
[L/C](#) [DA-59-20](#) [1484349-1](#) [17D25HV](#) [1996840-1](#) [243082-15](#) [1757682-1](#) [17D-E51218-1](#) [17SDA15S](#) [1883533-1](#) [1883886-1](#) [1883889-1](#)
[192900-0377](#) [M24308/8-347](#) [M83513/03-E09C](#) [D38999/24WG11SB-LC](#) [443961-3](#) [5-1218949-1](#) [550-031NF1R6K](#) [3-1236089-2](#)
[550E001NF1R3J0L](#) [550T001NF1R6K0L](#) [557T283NF5B08](#) [DB121073-56](#) [DC121073157](#) [443869-3](#) [443869-4](#) [443869-5](#)
[550S004NF1R1B0F03](#) [557E283NF1A06](#) [527-019NF0303R2K1F](#) [550-031NF1R2E](#) [550E003M2R9J0F04](#) [550E003M3R9J0F05](#)
[550E024M104R9J0](#) [550E024NF102R3J0B](#) [550E039NF1R3J1-02](#) [550S003M3R9B0F05](#) [550S004M4R7M0F04](#) [550S004NF1R1B1F02](#)
[550S008M3F0K0F04](#) [550S086M5R3J0L](#) [550S100NF3F0E](#) [550T001M2R7E0L](#)