

AS85049/5 Style 1 Straight Environmental Backshell

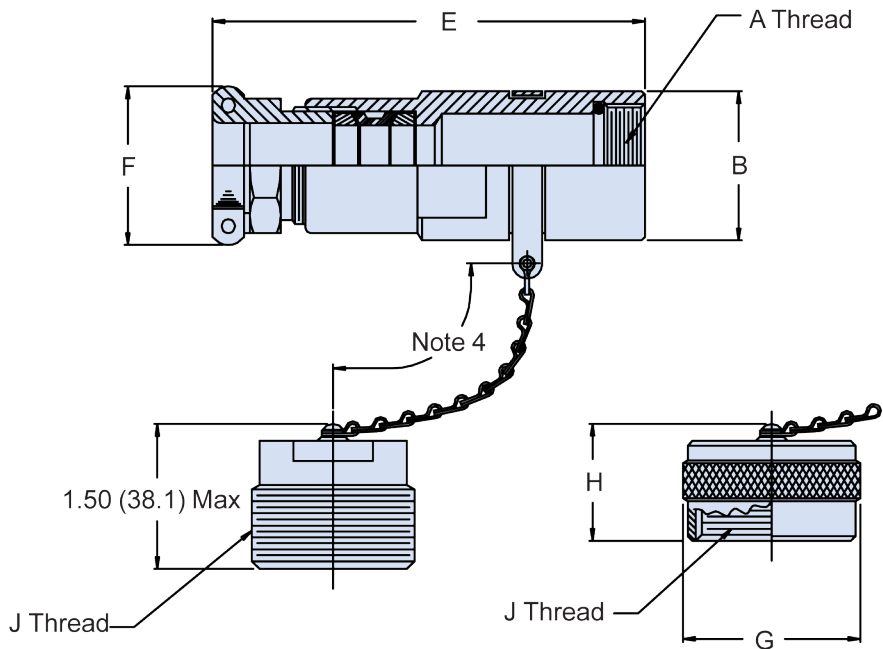
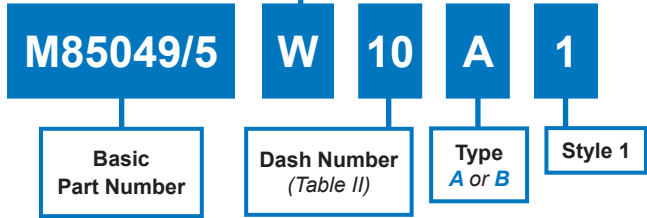


AS85049

B

CONNECTOR DESIGNATOR:	
C	MIL-DTL-22992 Classes C, J and R

Finish	
<i>A = Hard-coat Anodize</i>	<i>X = Nickel Fluorocarbon Polymer</i>
<i>W = Cadmium, Olive Drab</i>	<i>Z = Zinc Nickel</i>
<i>Y = Pure Dense Electrodeposited Aluminum</i>	



TYPE A - Plug Cap
For use with MS17344

TYPE B - Receptacle Cap
For use with MS17343,
MS17345, and MS17347

APPLICATION NOTES	
1.	For complete dimensions see the applicable Military Specification.
2.	Metric dimensions (mm) are in parentheses.
3.	Cable Range is defined as the accommodation range for the wire bundle or cable. Dimensions shown are not intended for inspection criteria.
4.	Approximate chain lengths: Dash No. 01-12 = 5.0 (127.0); Dash No. 13-29 = 6.0 (152.4).

Dimensions in inches (millimeters) and are subject to change without notice.



AS85049/5 Style 1 Straight Environmental Backshell

TABLE I: Shell Size and Dimensions

Shell Size	A Thread Class 2B-LH	B Dia ±.015 (0.4)	G Dia Max	H Max	J Thread (Plated) Class 2 (A or B)
12	.7500 - 20 UNEF	.933 (23.7)	1.094 (27.8)	.765 (19.4)	0.875-0.1P-0.2L-DS
18	1.1250 - 18 UNEF	1.307 (33.2)	1.469 (37.3)	.980 (24.9)	1.250-0.1P-0.2L-DS
20	1.2500 - 18 UNEF	1.433 (36.4)	1.562 (39.7)	.980 (24.9)	1.375-0.1P-0.2L-DS
22	1.3750 - 18 UNEF	1.557 (39.5)	1.688 (42.9)	.980 (24.9)	1.500-0.1P-0.2L-DS
24	1.6250 - 18 UNEF	1.807 (45.9)	1.938 (49.2)	.980 (24.9)	1.750-0.1P-0.2L-DS
28	1.8750 - 16 UN	2.057 (52.2)	2.219 (56.4)	.980 (24.9)	2.000-0.1P-0.2L-DS
32	2.0625 - 16 UNS	2.307 (58.6)	2.469 (62.7)	.980 (24.9)	2.250-0.1P-0.2L-DS
36	2.3125 - 16 UNS	2.557 (64.9)	2.719 (69.1)	.980 (24.9)	2.500-0.1P-0.2L-DS
40	2.6250 - 16 UN	2.870 (72.9)	2.969 (75.4)	.980 (24.9)	2.750-0.1P-0.2L-DS
44	2.8750 - 16 UN	3.120 (79.2)	3.217 (81.7)	.980 (24.9)	3.000-0.1P-0.2L-DS

TABLE II: Dash Number and Cable Range

Dash No.	Shell Size	E Max	F ± .031 (0.8)	Cable Range	
				Min	Max
1	12	3.182 (80.8)	.938 (23.8)	.156 (4.0)	.250 (6.4)
2	18	3.901 (99.1)	1.062 (27.0)	.281 (7.1)	.375 (9.5)
3	18	3.932 (99.9)	1.125 (28.6)	.281 (7.1)	.375 (9.5)
4	18	3.901 (99.1)	1.062 (27.0)	.188 (4.8)	.281 (7.1)
5	18	4.177 (106.1)	1.375 (34.9)	.511 (13.0)	.605 (15.4)
6	18	4.177 (106.1)	1.375 (34.9)	.436 (11.1)	.530 (13.5)
7	20	4.489 (114.0)	1.562 (39.7)	.605 (15.4)	.699 (17.8)
8	20	4.489 (114.0)	1.562 (39.7)	.361 (9.2)	.455 (11.6)
9	20	4.306 (109.4)	1.375 (34.9)	.511 (13.0)	.605 (15.4)
10	22	4.584 (116.4)	1.688 (42.9)	.449 (11.4)	.562 (14.3)
11	22	4.306 (109.4)	1.375 (34.9)	.311 (7.9)	.405 (10.3)
12	22	4.306 (109.4)	1.375 (34.9)	.715 (18.2)	.828 (21.0)
13	24	4.647 (118.0)	1.812 (46.0)	.787 (20.0)	.900 (22.9)
14	24	4.647 (118.0)	1.812 (46.0)	.517 (13.1)	.630 (16.0)
15	24	4.647 (118.0)	1.812 (46.0)	.637 (16.2)	.750 (19.1)
16	24	4.647 (118.0)	1.812 (46.0)	.857 (21.8)	.970 (24.6)
17	24	4.542 (115.4)	1.688 (42.9)	.715 (18.2)	.828 (21.0)
18	24	4.647 (118.0)	1.812 (46.0)	.692 (17.6)	.805 (20.4)
19	28	4.896 (124.4)	2.125 (54.0)	.755 (19.2)	.880 (22.4)
20	28	4.896 (124.4)	2.125 (54.0)	.984 (25.0)	1.109 (28.2)
21	28	4.647 (118.0)	1.812 (46.0)	.637 (16.2)	.750 (19.1)
22	28	4.229 (107.4)	1.125 (28.6)	.281 (7.1)	.375 (9.5)
23	28	4.647 (118.0)	1.812 (46.0)	.857 (21.8)	.970 (24.6)
24	28	4.896 (124.4)	2.125 (54.0)	.875 (22.2)	1.000 (25.4)
25	28	4.431 (112.5)	1.375 (34.9)	.436 (11.1)	.530 (13.5)
26	28	4.647 (118.0)	1.812 (46.0)	.567 (14.4)	.680 (17.3)
27	32	4.896 (124.4)	2.125 (54.0)	.930 (23.6)	1.055 (26.8)
28	32	4.959 (126.0)	2.469 (62.7)	1.105 (28.1)	1.230 (31.2)
29	32	4.647 (118.0)	1.812 (46.0)	.637 (16.2)	.750 (19.1)
30	32	4.896 (124.4)	2.125 (54.0)	.755 (19.2)	.880 (22.4)
31	32	4.896 (124.4)	2.125 (54.0)	.984 (25.0)	1.109 (28.2)
32	32	4.647 (118.0)	1.812 (46.0)	.857 (21.8)	.970 (24.6)
33	32	4.276 (108.6)	1.125 (28.6)	.281 (7.1)	.375 (9.5)
34	32	4.431 (112.5)	1.375 (34.9)	.436 (11.1)	.530 (13.5)
35	32	4.959 (126.0)	2.469 (62.7)	1.005 (25.5)	1.130 (28.7)
36	36	4.959 (126.0)	2.469 (62.7)	1.185 (30.1)	1.310 (33.3)
37	36	4.896 (124.4)	2.125 (54.0)	.984 (25.0)	1.109 (28.2)
38	36	5.021 (127.5)	2.625 (66.7)	1.250 (31.8)	1.375 (34.9)
39	36	4.959 (126.0)	2.469 (62.7)	1.055 (26.8)	1.180 (30.0)
40	36	5.021 (127.5)	2.625 (66.7)	1.320 (33.5)	1.445 (36.7)
41	36	4.651 (118.1)	1.812 (46.0)	.857 (21.8)	.970 (24.6)
42	36	4.959 (126.0)	2.469 (62.7)	1.105 (28.1)	1.230 (31.2)
43	40	6.354 (161.4)	3.171 (80.5)	1.815 (46.1)	1.940 (49.3)
44	40	6.354 (161.4)	3.171 (80.5)	1.700 (43.2)	1.825 (46.4)
45	40	6.354 (161.4)	3.171 (80.5)	1.605 (40.8)	1.730 (43.9)
46	40	6.057 (153.8)	2.953 (75.0)	1.531 (38.9)	1.656 (42.1)
47	44	6.345 (161.2)	3.375 (85.7)	1.867 (47.4)	2.000 (50.8)
48	44	5.266 (133.8)	3.171 (80.5)	1.775 (45.1)	1.900 (48.3)

Dimensions in inches (millimeters) and are subject to change without notice.

X-ON Electronics

Largest Supplier of Electrical and Electronic Components

Click to view similar products for [Circular MIL Spec Strain Reliefs & Adapters](#) category:

Click to view products by [Glenair](#) manufacturer:

Other Similar products are found below :

[896227-000](#) [899170S004](#) [0113-023-000](#) [6000-063-0022](#) [CS6624-000](#) [620AB038Z136](#) [620AS001Z108](#) [620AS038Z112](#) [620AS038Z120](#)
[620AS038Z132](#) [620FB038NF08](#) [620HA038NF09](#) [620HA038NF11](#) [620HA038NF13](#) [620HA038NF25](#) [620HB049NF17](#) [620HS038NF11](#)
[620HS038Z121](#) [620HS042XM19](#) [620HS042XM25](#) [620HS048B17](#) [620MS064NF12](#) [620MS065Z107](#) [620MS065ZNU06](#) [627-123NF21-11](#)
[627-125NF23-6](#) [630J041M06H](#) [630J041M20H](#) [637S010NF0212H](#) [637S010NF0416A](#) [640830-000](#) [659943-000](#) [66241-10A](#) [CW0597-000](#)
[CW0598-000](#) [CW0948-000](#) [CY0122-000](#) [M85049/41-6A W/B](#) [M85049/42-12DS](#) [M85049/47N8](#) [M85049/51-1-14S](#) [M85049/51S16S](#)
[M85049/60-1N16](#) [M85049/60-2G12W](#) [M85049/69-11N](#) [CZ3661-000](#) [D02922-000](#) [70.360.1628.0](#) [703797-000](#) [705825-000](#)