

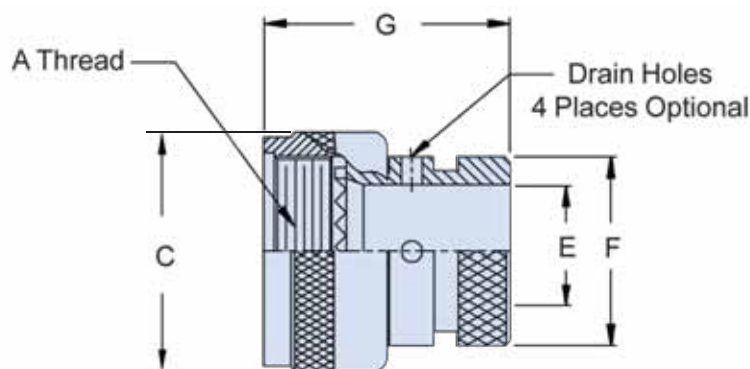
# AS85049/62 and MS38999/2 Series 310 Straight Shrink Boot Adapter

**CONNECTOR DESIGNATOR:**
**F**

MIL-DTL-38999 Series I & II,  
40M38277, PAN 6433-1,  
PATT 614, PATT 616,  
NFC93422 Series HE308 & HE309

**Basic  
Part Number**
**M85049/62**
**Shell  
Size**
**10**
**Drain Hole Option  
(Omit for None)**
**W**
**D**
**Order Boot Separately**
**Finish**

*A* = Black Anodize  
*N* = Electroless Nickel  
*W* = 500 Hr. Cadmium Olive Drab over  
Electroless Nickel


**TABLE I: Shell Size and Dimensions**

Shell Size	A Thread Class 2B	C Max	E Dia Min	F Dia Min	G Max
08	.438 - 28 UNEF	.750 (19.1)	.250 (6.4)	.533 (13.5)	1.000 (25.4)
10	.562 - 24 UNEF	.850 (21.6)	.375 (9.5)	.605 (15.4)	1.000 (25.4)
12	.688 - 24 UNEF	1.000 (25.4)	.500 (12.7)	.774 (19.7)	1.000 (25.4)
14	.813 - 20 UNEF	1.100 (27.9)	.625 (15.9)	.838 (21.3)	1.000 (25.4)
16	.938 - 20 UNEF	1.250 (31.8)	.750 (19.1)	.963 (24.5)	1.000 (25.4)
18	1.063 - 18 UNEF	1.400 (35.6)	.812 (20.6)	1.042 (26.5)	1.000 (25.4)
20	1.188 - 18 UNEF	1.500 (38.1)	.937 (23.8)	1.217 (30.9)	1.000 (25.4)
22	1.313 - 18 UNEF	1.650 (41.9)	1.062 (27.0)	1.355 (34.4)	1.000 (25.4)
24	1.438 - 18 UNEF	1.750 (44.5)	1.188 (30.2)	1.443 (36.7)	1.000 (25.4)

**APPLICATION NOTES**

- For complete dimensions see the applicable Military Specification.

Dimensions in inches (millimeters) and are subject to change without notice.

CAGE Code 06324

Printed in U.S.A.

## X-ON Electronics

Largest Supplier of Electrical and Electronic Components

*Click to view similar products for [D-Sub Backshells](#) category:*

*Click to view products by [Glenair](#) manufacturer:*

Other Similar products are found below :

[600X54009X](#) [600X56025X](#) [M85049/86-12N03](#) [70.350.0636.4](#) [70.350.2435.1](#) [72.350.1035.2](#) [72.352.2435.1](#) [73.359.4035.3](#) [829472-1](#) [PCS-E20W](#) [971-009-040R011](#) [971-015-040R011](#) [975T015-020R121](#) [DD19678-4](#) [DD-C4-J13-S1](#) [DPH-B-003](#) [165X02659X](#) [165X10899X](#)  
[165X11359X](#) [165X11689X](#) [165X13169X](#) [165X13199X](#) [165X13449X](#) [165X14219X](#) [165X14449X](#) [L171373](#) [971-037-040R011](#)  
[300X11139X](#) [975T025-020R121](#) [165X00809X](#) [165X11279X](#) [165X11629XE](#) [165X11699X](#) [165X11789X](#) [165X14029X](#) [165X17189X](#)  
[165X17559X](#) [300X10179X](#) [500-047M37H](#) [500E012J37H](#) [500S010M37H09](#) [500S010M51H10](#) [500T010E15B07](#) [500T010J09H05](#)  
[500T010J21H08](#) [500T010M09B07](#) [500T010M09F08B](#) [500T010M15E08B](#) [500T010M15F05B](#) [500T010M15H08L](#)