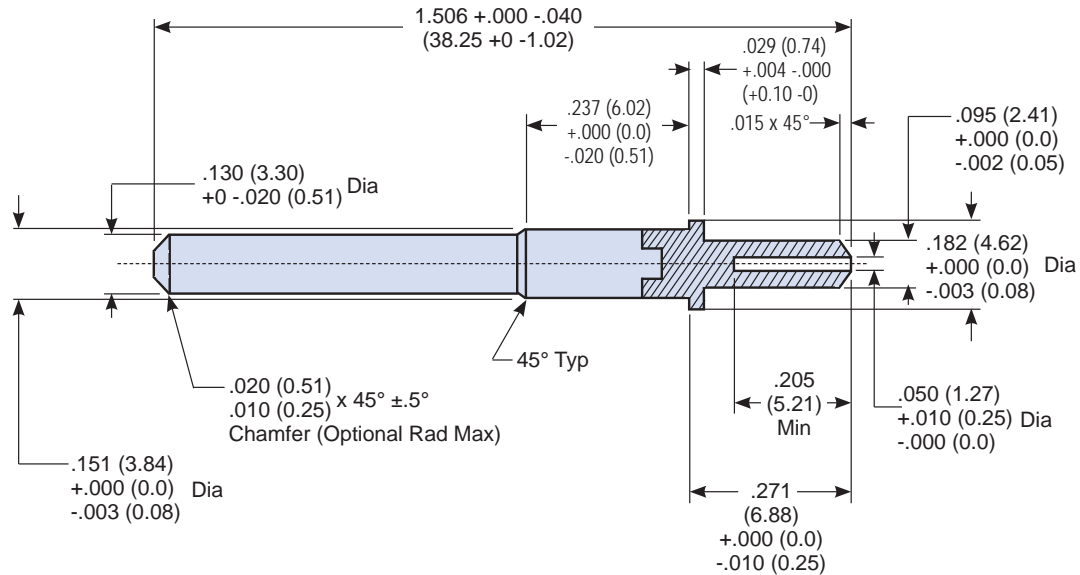


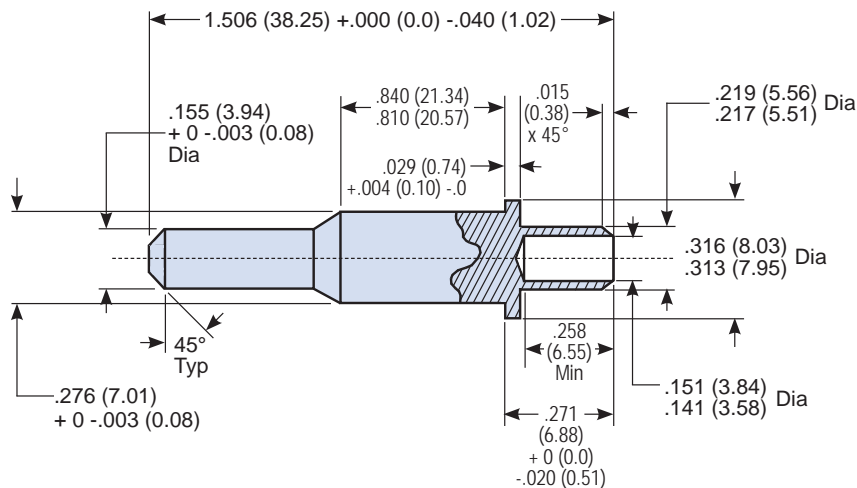
Basic
Part Number

Dash
Number

M85049/80 - 16



Dimensions and Configuration for Size 12 Contacts



Dimensions and Configuration for Size 8 Contacts

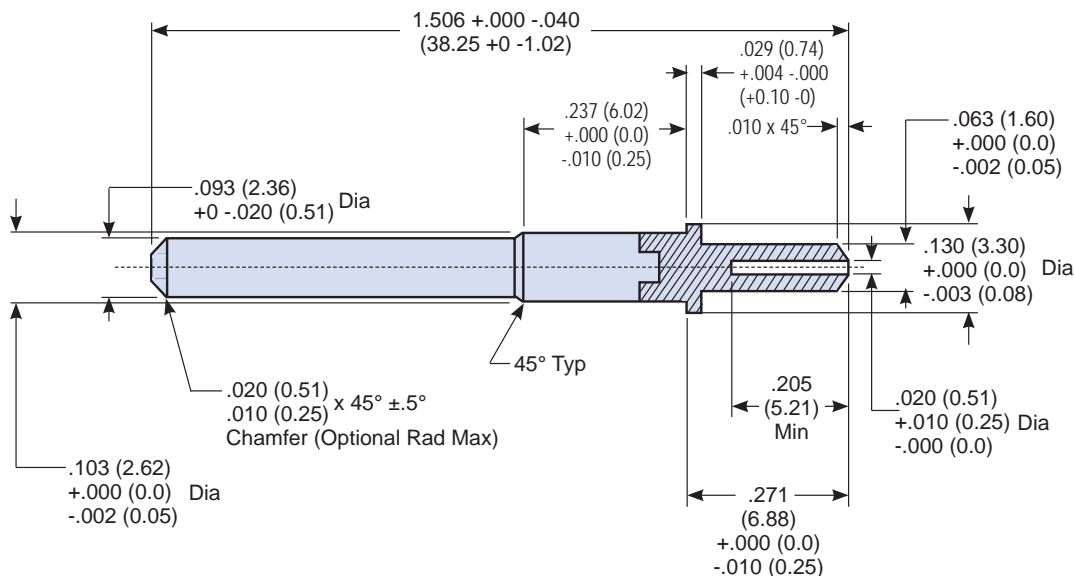
Dimensions in inches (millimeters) and are subject to change without notice.

AS85049/80 Sealing Plug for MIL-DTL-38999 Connectors Contact Sizes 8, 12 and 16



AS85049

B



Dimensions and Configuration for Size 16 Contacts



Figure 1



Figure 2



Figure 3

Table I: Insertion and Removal Tools

Figure	Size	Type	Glenair Part Number	Military Part Number
1	#16	Insertion/Extraction	809-131	M81969/14-03
2	#12	Insertion/extraction	809-132	M81969/14-04
3	#8	Extraction only	859-022	M81969/14-06

APPLICATION NOTES

1. Assembly identified with manufacturer's name and part number, space permitting.
2. Color:
Size 16 - Blue, IAW EIA RS359
Size 12 - Yellow, IAW EIA RS359
Size 8 - Green, IAW EIA RS359
3. Insulation resistance: 100 megaohms minimum at 500V DC when tested IAW EIA 364-21, using flat probes placed on opposite ends of the dummy contact.
4. Size 16 is for use in MIL-DTL-Series I, III or IV connectors in size 16 contact cavities. Size 12 is for use in MIL-DTL-38999 Series I, III or IV connectors in size 12 contact cavities. Size 8 is for use in MIL-DTL-38999 Series I, III or IV connectors in size 8 cavities.
5. Sizes 16, 12 and 8 dummy contacts are to be used in lieu of contacts and sealing plugs in unwired contact cavities for both pin and socket inserts.
6. The size 8 dummy contact requires an additional boot (to be provided by the connector manufacturer) for insert arrangements 17-2, 19-18, 21-75, 25-7, 25-8, 25-46 and 25-90 to seal the cavity.
7. For complete dimensions, see the applicable Military Specification.
8. Metric dimensions (mm) are in parentheses.

Dimensions in inches (millimeters) and are subject to change without notice.

X-ON Electronics

Largest Supplier of Electrical and Electronic Components

Click to view similar products for [Circular MIL Spec Tools, Hardware & Accessories](#) *category:*

Click to view products by [Glenair](#) *manufacturer:*

Other Similar products are found below :

[0113-201-2025](#) [600-079-06](#) [600-146-06](#) [M10-101983-183](#) [M10-454396-008](#) [602GB18808](#) [CS3102A-22-14PW](#) [M2887615-CD](#) [627-009](#)
[M38999/9-19B](#) [630A007NF083A](#) [630B007M051A](#) [630BJ003NF032H](#) [637-149NF04B](#) [M39029/29-215](#) [6408-203V-09273](#) [6426-201-11343](#)
[650FS002NF16](#) [660-008NF14S7-01](#) [660-009M22H8-03](#) [660-013NF19U6-210](#) [660-015M10S6-17](#) [660-015NF10S5-01](#) [660-015NF14R3.5-01](#)
[660-023NF19H6-19](#) [660-024NF11S12-01](#) [660-024NF11S3-01](#) [660-024NF17S4-109](#) [660-050XM17F4-01](#) [660-068NF25R6-30G](#) [660-](#)
[070M23S8-04](#) [660-073MTCH9-20](#) [M83723/61-18W](#) [M83723/61-218R](#) [M83723/61-224W](#) [667-084-23C](#) [667-084-35C](#) [667-224NF16](#) [687-](#)
[697NF-1](#) [M85049/94-10-A](#) [M85049/96-7-A](#) [M855282-10A01A](#) [M85528/2-10B](#) [M855282-18A01A](#) [M85528/2-22A01A](#) [M85528/2-22AA](#)
[710HS460NF2508](#) [780-001-22G12-SK](#) [780-002-19G12-SK](#) [780-002-20G12SK](#)