

MS27558 90° Non-Self-Locking Strain Relief



| CONNECTOR DESIGNATOR: | |
|-----------------------|---------------|
| E | MIL-DTL-26500 |

| | |
|----------------------|----------------|
| Basic Part Number | Dash Number |
| MS27558 | - 3 |

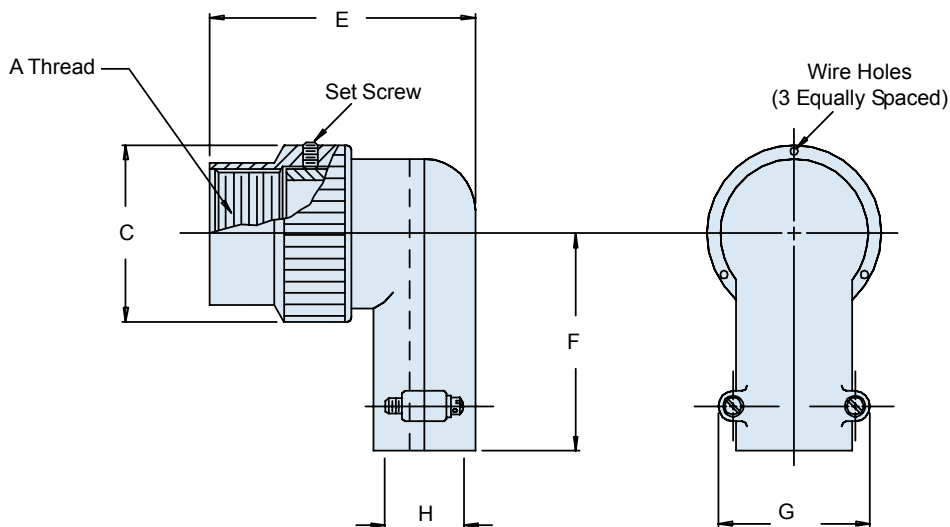


TABLE I: Dash Number, Shell Size, Thread and Dimensions

| Dash No. | Shell Size Ref. | A Thread Class 2B | C Max | E Max | F Max | G Max | H Dia |
|----------|-----------------|-------------------|--------------|--------------|--------------|--------------|--------------|
| 1* | 8 | .437 - 28 UNEF | .672 (17.1) | 1.200 (30.5) | .602 (15.3) | .892 (22.7) | .240 (6.1) |
| 2 | 10 | .562 - 24 UNEF | .797 (20.2) | 1.320 (33.5) | .650 (16.5) | 1.072 (27.2) | .365 (9.3) |
| 3 | 12 | .750 - 20 UNEF | 1.016 (25.8) | 1.320 (33.5) | .740 (18.8) | 1.072 (27.2) | .365 (9.3) |
| 4 | 14 | .812 - 20 UNEF | 1.110 (28.2) | 1.487 (37.8) | .775 (19.7) | 1.108 (28.1) | .515 (13.1) |
| 5 | 16 | .938 - 20 UNEF | 1.234 (31.3) | 1.470 (37.3) | .830 (21.1) | 1.108 (28.1) | .515 (13.1) |
| 6 | 18 | 1.062 - 18 UNEF | 1.360 (34.5) | 1.588 (40.3) | .897 (22.8) | 1.233 (31.3) | .640 (16.3) |
| 7 | 20 | 1.188 - 18 UNEF | 1.485 (37.7) | 1.759 (44.7) | .955 (24.3) | 1.477 (37.5) | .775 (19.7) |
| 8 | 22 | 1.312 - 18 UNEF | 1.610 (40.9) | 1.759 (44.7) | 1.015 (25.8) | 1.477 (37.5) | .775 (19.7) |
| 9 | 24 | 1.438 - 18 UNEF | 1.735 (44.1) | 2.027 (51.5) | 1.077 (27.4) | 1.727 (43.9) | 1.060 (26.9) |

* Consult Factory

APPLICATION NOTES

1. Finish: Anodize.
2. Assembly to be identified with manufacturer's name and part number, space permitting.
3. For complete dimensions, see the applicable Military Specification.
4. Metric dimensions (mm) are in parentheses.

Dimensions in inches (millimeters) and are subject to change without notice.



X-ON Electronics

Largest Supplier of Electrical and Electronic Components

Click to view similar products for [Circular MIL Spec Strain Reliefs & Adapters](#) category:

Click to view products by [Glenair](#) manufacturer:

Other Similar products are found below :

[896227-000](#) [899170S004](#) [0113-023-000](#) [6000-063-0022](#) [CS6624-000](#) [620AB038Z136](#) [620AS001Z108](#) [620AS038Z112](#) [620AS038Z120](#)
[620AS038Z132](#) [620FB038NF08](#) [620HA038NF09](#) [620HA038NF11](#) [620HA038NF13](#) [620HA038NF25](#) [620HB049NF17](#) [620HS038NF11](#)
[620HS038Z121](#) [620HS042XM19](#) [620HS042XM25](#) [620HS048B17](#) [620MS064NF12](#) [620MS065Z107](#) [620MS065ZNU06](#) [627-123NF21-11](#)
[627-125NF23-6](#) [630J041M06H](#) [630J041M20H](#) [637S010NF0212H](#) [637S010NF0416A](#) [640830-000](#) [659943-000](#) [66241-10A](#) [CW0597-000](#)
[CW0598-000](#) [CW0948-000](#) [CY0122-000](#) [M85049/41-6A W/B](#) [M85049/42-12DS](#) [M85049/47N8](#) [M85049/51-1-14S](#) [M85049/51S16S](#)
[M85049/60-1N16](#) [M85049/60-2G12W](#) [M85049/69-11N](#) [CZ3661-000](#) [D02922-000](#) [70.360.1628.0](#) [703797-000](#) [705825-000](#)