

MS27559 90° Non-Self-Locking Strain Relief

CONNECTOR DESIGNATOR:

E MIL-DTL-26500

Basic
Part NumberDash
Number

MS27559 - 4

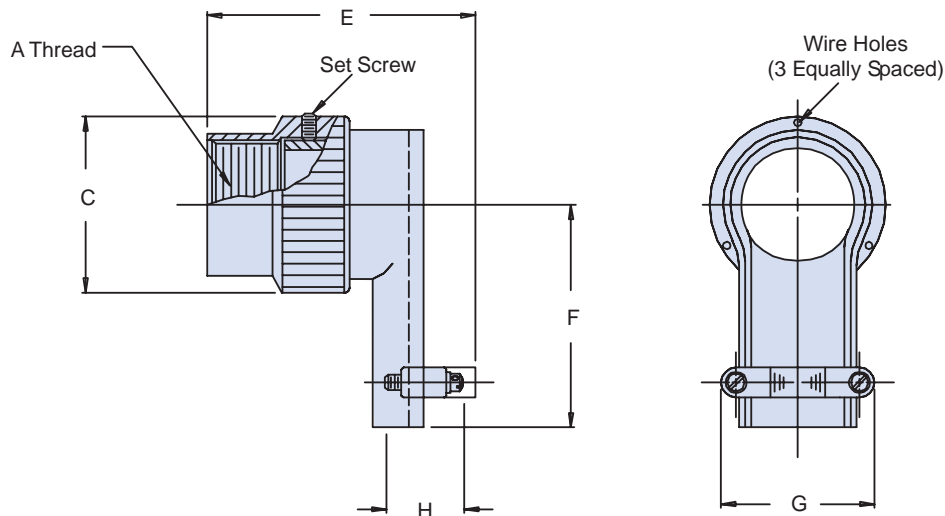


TABLE I: Dash Number, Shell Size, Thread and Dimensions

Dash No.	Shell Size Ref.	A Thread Class 2B	C Max	E Max	F Max	G Max	H Dia
1	8	.437 - 28 UNEF	.672 (17.1)	1.173 (29.8)	.602 (15.3)	.892 (22.7)	.201 (5.1)
2	10	.562 - 24 UNEF	.797 (20.2)	1.293 (32.8)	.650 (16.5)	1.072 (27.2)	.320 (8.1)
3	12	.750 - 20 UNEF	1.016 (25.8)	1.293 (32.8)	.740 (18.8)	1.072 (27.2)	.320 (8.1)
4	14	.812 - 20 UNEF	1.110 (28.2)	1.460 (37.1)	.775 (19.7)	1.108 (28.1)	.452 (11.5)
5	16	.938 - 20 UNEF	1.234 (31.3)	1.443 (36.7)	.830 (21.1)	1.108 (28.1)	.508 (12.9)
6	18	1.062 - 18 UNEF	1.360 (34.5)	1.561 (39.6)	.897 (22.8)	1.233 (31.3)	.571 (14.5)
7	20	1.188 - 18 UNEF	1.485 (37.7)	1.732 (44.0)	.955 (24.3)	1.477 (37.5)	.748 (19.0)
8	22	1.312 - 18 UNEF	1.610 (40.9)	1.732 (44.0)	1.015 (25.8)	1.477 (37.5)	.748 (19.0)
9	24	1.438 - 18 UNEF	1.735 (44.1)	2.000 (50.8)	1.077 (27.4)	1.727 (43.9)	.996 (25.3)

APPLICATION NOTES

1. Finish: Anodize.
2. Assembly to be identified with manufacturer's name and part number, space permitting.
3. For complete dimensions, see the applicable Military Specification.
4. Metric dimensions (mm) are in parentheses.

Dimensions in inches (millimeters) and are subject to change without notice.

X-ON Electronics

Largest Supplier of Electrical and Electronic Components

Click to view similar products for [Circular MIL Spec Strain Reliefs & Adapters](#) category:

Click to view products by [Glenair](#) manufacturer:

Other Similar products are found below :

[896227-000](#) [899170S004](#) [0113-023-000](#) [6000-063-0022](#) [CS6624-000](#) [620AB038Z136](#) [620AS001Z108](#) [620AS038Z112](#) [620AS038Z120](#)
[620AS038Z132](#) [620FB038NF08](#) [620HA038NF09](#) [620HA038NF11](#) [620HA038NF13](#) [620HA038NF25](#) [620HB049NF17](#) [620HS038NF11](#)
[620HS038Z121](#) [620HS042XM19](#) [620HS042XM25](#) [620HS048B17](#) [620MS064NF12](#) [620MS065Z107](#) [620MS065ZNU06](#) [627-123NF21-11](#)
[627-125NF23-6](#) [630J041M06H](#) [630J041M20H](#) [637S010NF0212H](#) [637S010NF0416A](#) [640830-000](#) [659943-000](#) [66241-10A](#) [CW0597-000](#)
[CW0598-000](#) [CW0948-000](#) [CY0122-000](#) [M85049/41-6A W/B](#) [M85049/42-12DS](#) [M85049/47N8](#) [M85049/51-1-14S](#) [M85049/51S16S](#)
[M85049/60-1N16](#) [M85049/60-2G12W](#) [M85049/69-11N](#) [CZ3661-000](#) [D02922-000](#) [70.360.1628.0](#) [703797-000](#) [705825-000](#)