

MS3115 Dummy Storage Receptacle Bayonet Coupling



MATING CONNECTOR
MIL-DTL-26482

Material and Finish
A = Hard Anodize
C = Cadmium Olive Drab
L = Electroless Nickel
W = Cadmium Olive Drab over Electroless Nickel

Basic Part No.

MS3115 - 16 L

Dash No.
(Table II)

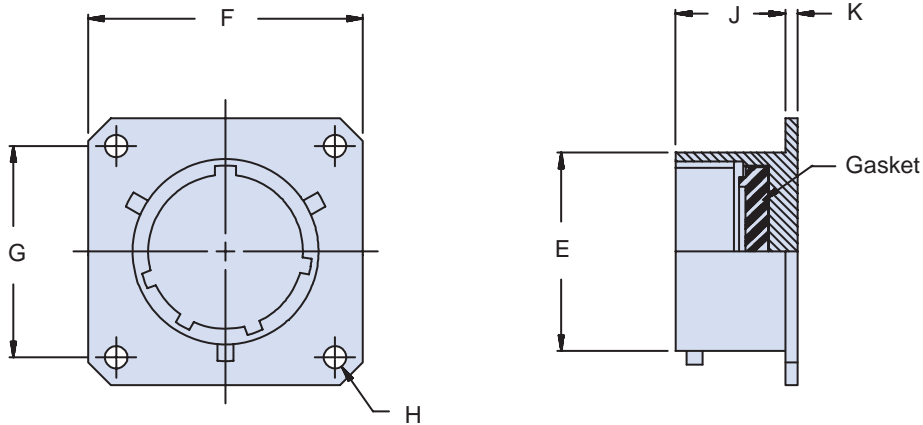


TABLE I: Dash Number, Cable Entry and Backshell Dimensions

Shell Size	E		F		G		Ø H		J		K	
	±.003	(.1)	Max	Dim	±.005	(0.1)	±.016	(.4)	±.016	(.4)		
8	.471	(12.0)	.828	(21.0)	.594	(15.1)	.120	(3.0)	.478	(12.1)	.062	(1.6)
10	.588	(14.9)	.954	(24.2)	.719	(18.3)	.120	(3.0)	.478	(12.1)	.062	(1.6)
12	.748	(19.0)	1.047	(26.6)	.812	(20.6)	.120	(3.0)	.478	(12.1)	.062	(1.6)
14	.873	(22.2)	1.141	(29.0)	.906	(23.0)	.120	(3.0)	.478	(12.1)	.062	(1.6)
16	.998	(25.3)	1.234	(31.3)	.969	(24.6)	.120	(3.0)	.478	(12.1)	.062	(1.6)
18	1.123	(28.5)	1.328	(33.7)	1.062	(27.0)	.120	(3.0)	.478	(12.1)	.062	(1.6)
20	1.248	(31.7)	1.453	(36.9)	1.156	(29.4)	.120	(3.0)	.572	(14.5)	.094	(2.4)
22	1.373	(34.9)	1.578	(40.1)	1.250	(31.8)	.120	(3.0)	.572	(14.5)	.094	(2.4)
24	1.498	(38.0)	1.703	(43.3)	1.375	(34.9)	.147	(3.7)	.605	(15.4)	.094	(2.4)

APPLICATION NOTES

1. Assembly to be identified with manufacturer's name and part number, space permitting.
2. For complete dimensions, see the applicable Military Specification.
3. Metric dimensions (mm) are in parentheses.

Dimensions in inches (millimeters) and are subject to change without notice.

X-ON Electronics

Largest Supplier of Electrical and Electronic Components

Click to view similar products for [Circular MIL Spec Tools, Hardware & Accessories](#) *category:*

Click to view products by [Glenair](#) *manufacturer:*

Other Similar products are found below :

[0113-201-2025](#) [600-079-06](#) [600-146-06](#) [M10-101983-183](#) [M10-454396-008](#) [602GB18808](#) [CS3102A-22-14PW](#) [M2887615-CD](#) [627-009](#)
[M38999/9-19B](#) [630A007NF083A](#) [630B007M051A](#) [630BJ003NF032H](#) [637-149NF04B](#) [M39029/29-215](#) [6408-203V-09273](#) [6426-201-11343](#)
[650FS002NF16](#) [660-008NF14S7-01](#) [660-009M22H8-03](#) [660-013NF19U6-210](#) [660-015M10S6-17](#) [660-015NF10S5-01](#) [660-015NF14R3.5-01](#)
[660-023NF19H6-19](#) [660-024NF11S12-01](#) [660-024NF11S3-01](#) [660-024NF17S4-109](#) [660-050XM17F4-01](#) [660-068NF25R6-30G](#) [660-](#)
[070M23S8-04](#) [660-073MTCH9-20](#) [M83723/61-18W](#) [M83723/61-218R](#) [M83723/61-224W](#) [667-084-23C](#) [667-084-35C](#) [667-224NF16](#) [687-](#)
[697NF-1](#) [M85049/94-10-A](#) [M85049/96-7-A](#) [M855282-10A01A](#) [M85528/2-10B](#) [M855282-18A01A](#) [M85528/2-22A01A](#) [M85528/2-22AA](#)
[710HS460NF2508](#) [780-001-22G12-SK](#) [780-002-19G12-SK](#) [780-002-20G12SK](#)