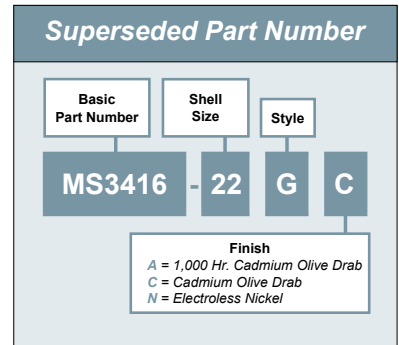
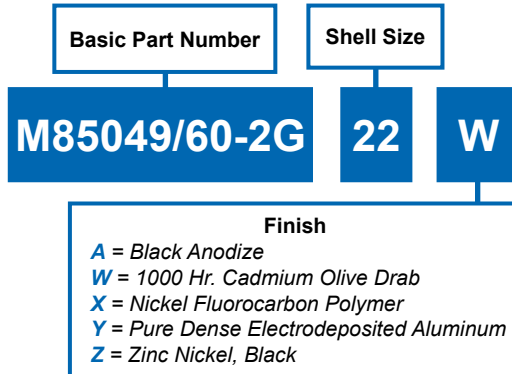


AS85049/60-2G and MS3416-G Straight Shrink Boot Adapter



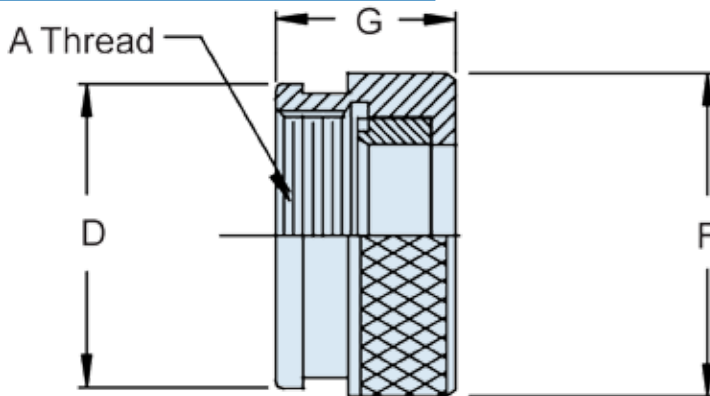
AS85049

CONNECTOR DESIGNATOR:	
A	AS50151 Series AS34001
	MIL-DTL-26482 Series II
	AS81703 Series III
	MIL-DTL-83723 Series I & III
	40M39569, DEF 5326-3
	EN 2997, EN 3646
	ESC 10, ESC 11, LN 29504
	NFC93422 Series HE302
	PAN 6432-1, PAN 6432-2
	PATT 602



B

- APPLICATION NOTES**
- For complete dimensions see the applicable Military Specification.
 - Metric dimensions (mm) are in parentheses.



Shell Size	A Thread Class 2B	D Dia +.000 (0.0) -.020 (0.5)	F Dia +.000 (0.0) -.045 (1.1)	G Max
3	.562 - 24 UNEF	.709 (18.0)	.750 (19.1)	.540 (13.7)
8	.500 - 20 UNF	.657 (16.7)	.688 (17.5)	.540 (13.7)
10	.625 - 24 UNEF	.774 (19.7)	.803 (20.4)	.540 (13.7)
12	.750 - 20 UNEF	.898 (22.8)	.938 (23.8)	.540 (13.7)
14	.875 - 20 UNEF	1.024 (26.0)	1.063 (27.0)	.540 (13.7)
16	1.000 - 20 UNEF	1.152 (29.3)	1.238 (31.4)	.540 (13.7)
18	1.062 - 18 UNEF	1.243 (31.6)	1.310 (33.3)	.540 (13.7)
20	1.188 - 18 UNEF	1.370 (34.8)	1.436 (36.5)	.540 (13.7)
22	1.313 - 18 UNEF	1.443 (36.7)	1.560 (39.6)	.540 (13.7)
24	1.438 - 18 UNEF	1.618 (41.1)	1.686 (42.8)	.540 (13.7)
28	1.750 - 18 UNS	1.969 (50.0)	2.062 (52.4)	.702 (17.8)
32	2.000 - 18 UNS	2.219 (56.4)	2.312 (58.7)	.702 (17.8)
36	2.250 - 16 UN	2.469 (62.7)	2.562 (65.1)	.702 (17.8)
40	2.500 - 16 UN	2.719 (69.1)	2.812 (71.4)	.702 (17.8)
44	2.750 - 16 UN	2.969 (75.4)	3.062 (77.8)	.702 (17.8)
48	3.000 - 16 UN	3.219 (81.8)	3.312 (84.1)	.702 (17.8)
61	1.500 - 18 UNEF	1.653 (42.0)	1.748 (44.4)	.540 (13.7)

Dimensions in inches (millimeters) and are subject to change without notice.

X-ON Electronics

Largest Supplier of Electrical and Electronic Components

Click to view similar products for [Circular MIL Spec Tools, Hardware & Accessories](#) *category:*

Click to view products by [Glenair](#) *manufacturer:*

Other Similar products are found below :

[0113-201-2025](#) [600-079-06](#) [600-146-06](#) [M10-101983-183](#) [M10-454396-008](#) [602GB18808](#) [CS3102A-22-14PW](#) [M2887615-CD](#) [627-009](#)
[M38999/9-19B](#) [630A007NF083A](#) [630B007M051A](#) [630BJ003NF032H](#) [637-149NF04B](#) [M39029/29-215](#) [6408-203V-09273](#) [6426-201-11343](#)
[650FS002NF16](#) [660-008NF14S7-01](#) [660-009M22H8-03](#) [660-013NF19U6-210](#) [660-015M10S6-17](#) [660-015NF10S5-01](#) [660-015NF14R3.5-01](#)
[660-023NF19H6-19](#) [660-024NF11S12-01](#) [660-024NF11S3-01](#) [660-024NF17S4-109](#) [660-050XM17F4-01](#) [660-068NF25R6-30G](#) [660-](#)
[070M23S8-04](#) [660-073MTCH9-20](#) [M83723/61-18W](#) [M83723/61-218R](#) [M83723/61-224W](#) [667-084-23C](#) [667-084-35C](#) [667-224NF16](#) [687-](#)
[697NF-1](#) [M85049/94-10-A](#) [M85049/96-7-A](#) [M855282-10A01A](#) [M85528/2-10B](#) [M855282-18A01A](#) [M85528/2-22A01A](#) [M85528/2-22AA](#)
[710HS460NF2508](#) [780-001-22G12-SK](#) [780-002-19G12-SK](#) [780-002-20G12SK](#)