

## Low-Noise Step-up DC-DC Converter

### Features

- 90% Efficiency
- Adjustable Output from  $V_{IN}$  to 20V
- 0.2Ω, 24V Power MOSFET
- Cycle-by-Cycle 2A Current Limit
- 2.5V to 5.5V Input Range
- 600kHz/1.2MHz Switching Frequency
- MSOP-8, TDFN3X3-8 Package

### Applications

- LCD Displays
- Portable Applications
- Hand-Held Devices

### General Description

The G5108 boost converter incorporate high-performance, current-mode, frequency selectable pulse width modulation (PWM) circuitry with a built-in 0.2Ω n-channel MOSFET to provide a highly efficient regulator.

High switching frequency allows easy filtering and faster loop performance. An external compensation pin provides the user flexibility in determining loop dynamics, allowing the use of small, low ESR ceramic output capacitors. The device can produce an output voltage as high as 20V. User programmed soft-start with an external capacitor determines the input current ramp rate.

The G5108 is available in a space-saving MSOP-8 and TDFN3X3-8 package.

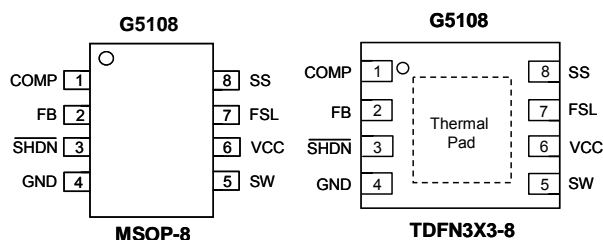
### Ordering Information

ORDER NUMBER	MARKING	TEMP. RANGE	PACKAGE (Green)
G5108P8U	G5108	-40°C ~ +85°C	MSOP-8
G5108RDU	5108	-40°C ~ +85°C	TDFN3X3-8

Note: P8: MSOP-8 RD:TDFN3X3-8

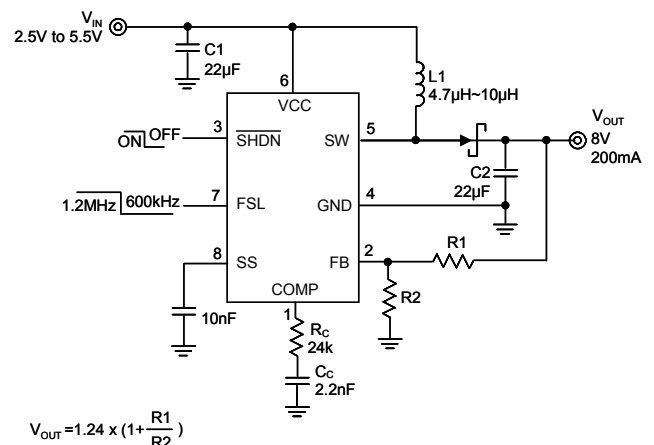
U: Tape & Reel

### Pin Configuration



Note: Recommend connecting the Thermal Pad to the Ground for excellent power dissipation.

### Typical Application Circuit



## X-ON Electronics

Largest Supplier of Electrical and Electronic Components

*Click to view similar products for [Switching Controllers](#) category:*

*Click to view products by [Global Mixed-mode](#) manufacturer:*

Other Similar products are found below :

[LV5065VB-TLM-H](#) [LV5066V-TLM-H](#) [LV5725JAZ-AH](#) [NCP1218AD65R2G](#) [NCP1234AD100R2G](#) [NCP1244BD065R2G](#) [NCP1336ADR2G](#)  
[NCP1587GDR2G](#) [NCP6153MNTWG](#) [NCP81005MNTWG](#) [NCP81101BMNTXG](#) [NCP81205MNTXG](#) [CAT874-80ULGT3](#) [SJE6600](#)  
[AZ7500BMTR-E1](#) [IR35215MTRPBF](#) [SG3845DM](#) [NCP4204MNTXG](#) [NCP6132AMNR2G](#) [NCP81102MNTXG](#) [NCP81203MNTXG](#)  
[NCP81206MNTXG](#) [UBA2051C](#) [IR35201MTRPBF](#) [NCP1240AD065R2G](#) [NCP1240FD065R2G](#) [NCP1361BABAYSNT1G](#) [NCP1230P100G](#)  
[NX2124CSTR](#) [SG2845M](#) [NCP1366BABAYDR2G](#) [NCP81101MNTXG](#) [TEA19362T/1J](#) [NCP81174NMNTXG](#) [NCP4308DMTTWG](#)  
[NCP4308DMNTWG](#) [NCP4308AMTTWG](#) [NCP1366AABAYDR2G](#) [NCP1251FSN65T1G](#) [NCP1246BLD065R2G](#) [iW1760B-10](#)  
[MB39A136PFT-G-BND-ERE1](#) [NCP1256BSN100T1G](#) [LV5768V-A-TLM-E](#) [NCP1365BABCYDR2G](#) [NCP1365AABCYDR2G](#) [MCP1633T-](#)  
[E/MG](#) [MCP1633-E/MG](#) [NCV1397ADR2G](#) [NCP81599MNTXG](#)