

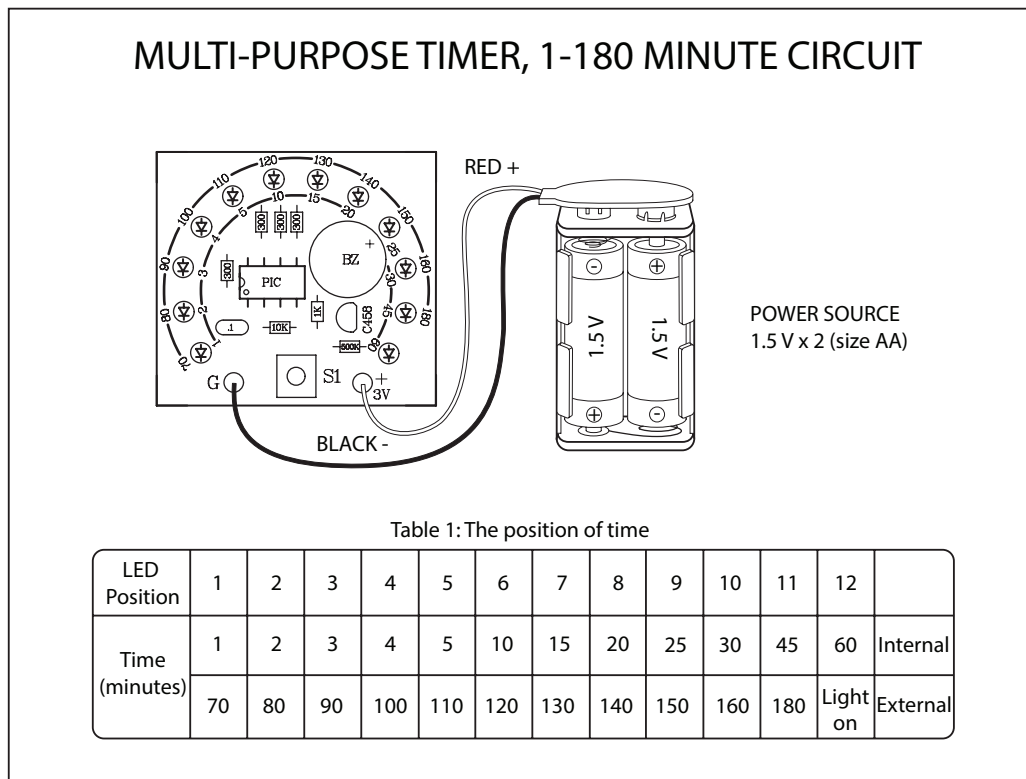
INTRODUCTION

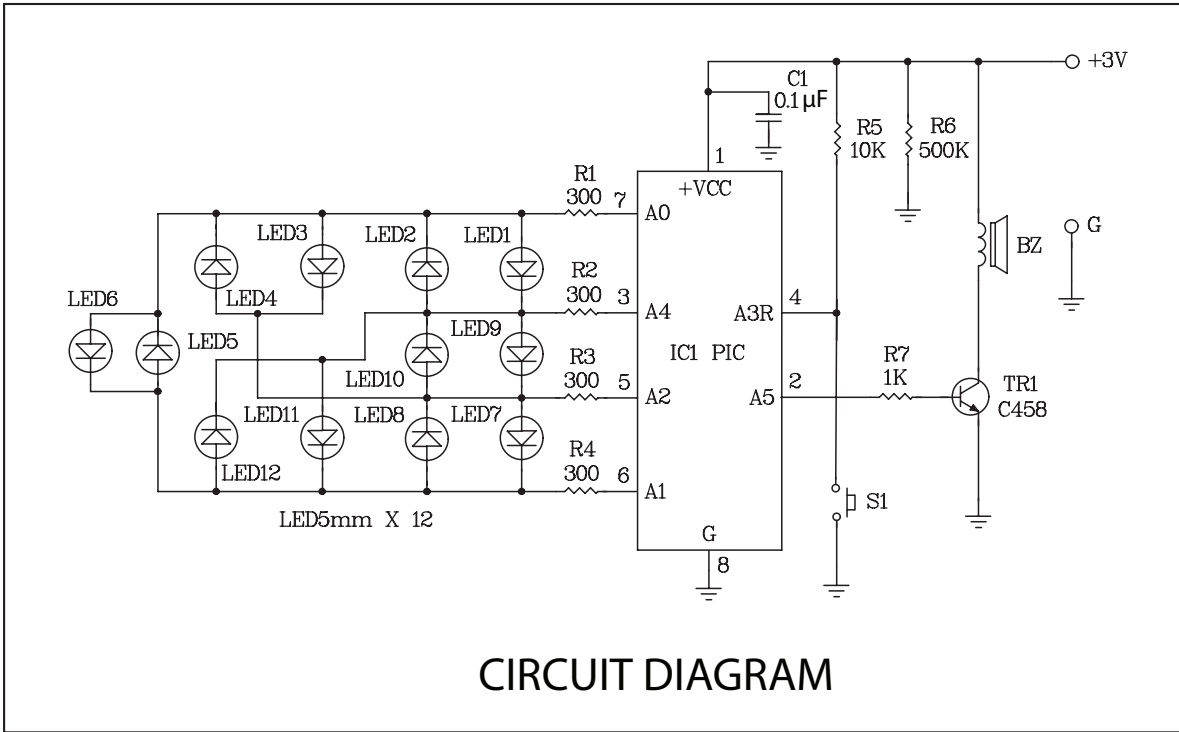
This compact timer emulates the traditional dial-set spring timers by using 12 LEDs in a circle to indicate the timer setting and timer progress. All On/Off control and time presetting is achieved via a single pushbutton. A buzzer indicates the time-out point. Applications include domestic and industrial process monitoring and control. The unit will automatically switch to a power-save mode, reducing the battery consumption to mere micro amps.

SET UP AND USE

Connect power source to the +3 V and G terminals (two AA batteries). The S1 switch is used for setting, starting, and stopping the timer.

1. Push the S1 switch – The LEDs will blink, indicating the circuit is in timer mode.
2. Push the S1 switch again – The LEDs will stay lit until the timer is set.
3. Push and hold S1 switch for about 3 seconds – the LEDs light up in sequence
4. Return to step 1.





X-ON Electronics

Largest Supplier of Electrical and Electronic Components

Click to view similar products for [Clock & Timer Development Tools](#) *category:*

Click to view products by [Global Specialties](#) *manufacturer:*

Other Similar products are found below :

[AD9530/PCBZ](#) [DSC400-0333Q0032KE1-EVB](#) [TDGL013](#) [ADCLK946/PCBZ](#) [EKIT01-HMC1032LP6G](#) [RV-2251-C3-EVALUATION-BOARD](#) [RV-3029-C2-EVALUATION-BOARD-OPTION-B](#) [SKY72310-11-EVB](#) [RV-8263-C7-EVALUATION-BOARD](#) [EVK9FGV1002](#) [EVK9FGV1008](#) [EV1HMC6832ALP5L](#) [EVAL01-HMC911LC4B](#) [EVAL01-HMC987LP5E](#) [EVAL01-HMC988LP3E](#) [TS3002DB](#) [125605-HMC702LP6CE](#) [MIKROE-2481](#) [2045](#) [EKIT01-HMC835LP6G](#) [EKIT01-HMC834LP6GE](#) [TS3006DB](#) [105811-HMC440QS16G](#) [DSC-TIMEFLASH2-KIT1](#) [110227-HMC510LP5](#) [110227-HMC513LP5](#) [AD9515/PCBZ](#) [AC164147](#) [DFR0469](#) [127102-HMC856LC5](#) [127270-HMC765LP6CE](#) [127272-HMC783LP6CE](#) [127283-HMC807LP6CE](#) [129021-HMC838LP6CE](#) [ADM00791](#) [3296](#) [DC1562B-G](#) [DC2073A-G](#) [129020-HMC838LP6CE](#) [129467-HMC820LP6CE](#) [EVAL01-HMC837LP6CE](#) [29125](#) [DC1562B-A](#) [DC2073B-K](#) [DC2073B-G](#) [DC2073B-D](#) [DC2073A-D](#) [DC1705C-C](#) [ASD2831-R](#) [3435](#)