

Water Resistance Checker (basic) Model GSK-944

This checker utilizes resistance to measure dissolved solids in water. The more resistance, the less conductive the water; as resistance levels lessens the materials that conduct electricity are elevated. Results are displayed by a series of (8) LED's.

Technical Specifications

- Power source: 9 VDC
- LED resistance level indicators: 7
- LED on/off indicator: 1
- Level adjustment: 3 levels
- PCB dimensions: 2.78 x 1.79 in.

Operating Principles

The more resistance in water the less dissolved solids, such as minerals, are present. Conversely, as resistance decreases the level of conductive material in the water increases. A series of (green, yellow, and red) LED's indicate the level of resistance (Green – higher through Red – lowest) the more LED's lit the less resistance. There are 3 switchable levels (see Figure 1 resistance table).

Circuit Assembly

Please refer to Figures 1, 2, and 3 for aid in component placement. It is recommended to start with lower components i.e. diodes, resistors, electrolyte capacitors, and transistors. Be careful to check polarity before soldering. If a problem is detected it is best too use a desoldering pump or desoldering braids to remove component. This will minimize potential damage to the printed circuit board.

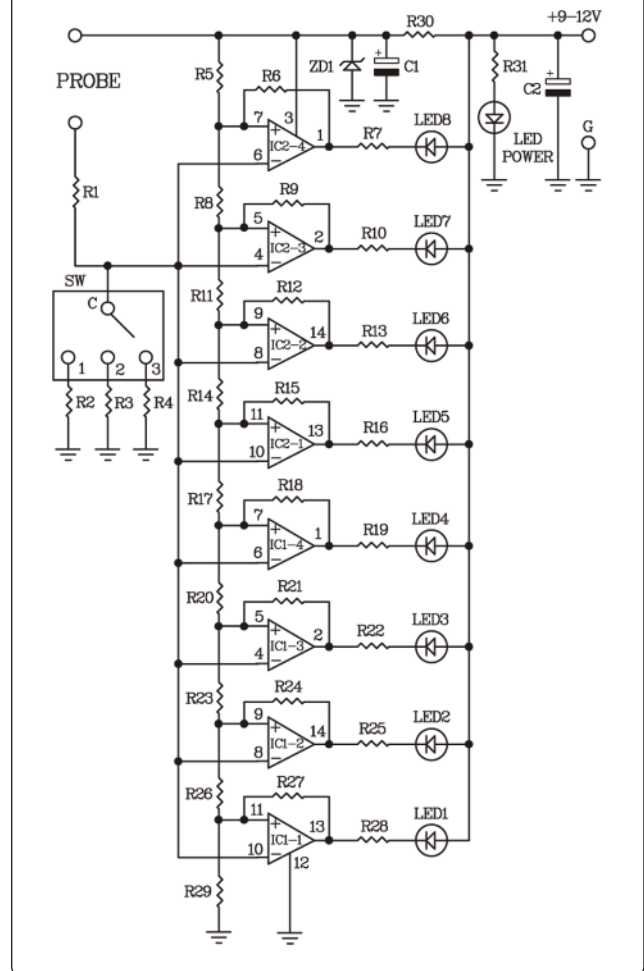
Testing

Connect the battery to provide power to the circuit. The LED power light will come on. Slide switch "SW" to position "1." Insert probe into water source, LED 1 through LED 8 will display level of resistance in water source.

Troubleshooting

The main cause of problems will come from misplaced components or faulty soldering. Utilize Figures 1, 2 and 3 to ensure proper placement, polarity and then check solder points for connectivity.

Figure 1 Water Checker Circuit



Accessories

Use GSB-03 (sold separately) to house the PCB and batteries.

Figure 2 Connecting Circuits

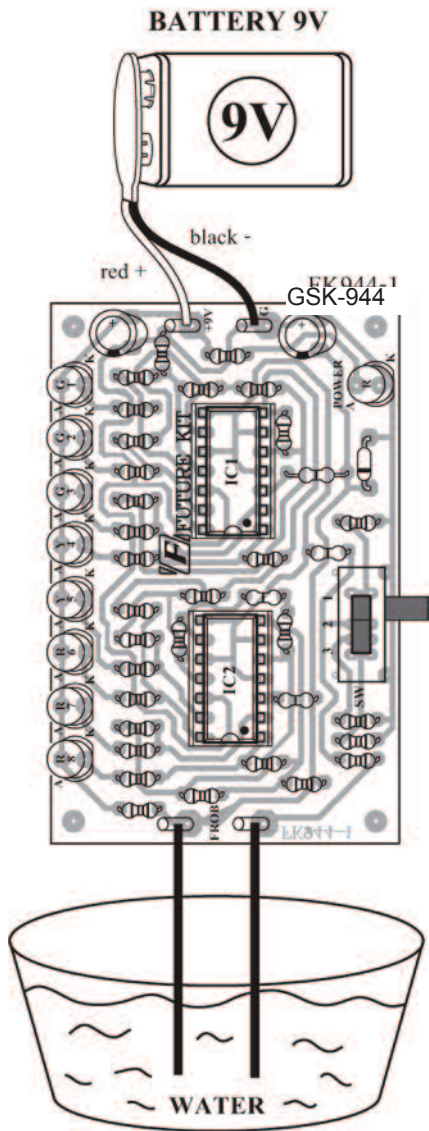
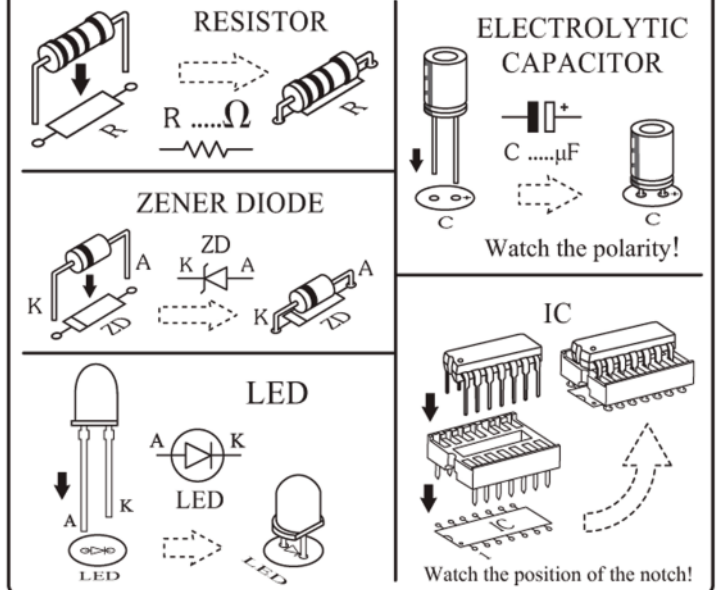


Figure 3 Installing components



Resistors

- R1, 30 1 kΩ brown – black – red – gold
- R2, R8, R11, R14, R17, R20, R23, R26 10 kΩ brown – black – orange – gold
- R3 100 kΩ brown – black – orange – gold
- R4, R6, R9, R12, R15, R18, R21, R24, R27 1 MΩ brown – black – green – gold
- R5, R28 20 kΩ red – black – orange – gold
- R7, R19, R13, R16, R19, R22, R25, R28 5 kΩ green – black – red – gold
- R31 3 kΩ orange – black – red – gold

Electrolytic Capacitors

- C1, C2 33 μF

Diode

- ZD1 5.1 V

Integrated Circuits

- IC1, IC2 LM339

Switch

Position 1

LED	Water Resistance
8	0.98 kΩ
7	2.48 kΩ
6	4.41 kΩ
5	6.97 kΩ
4	10.57 kΩ
3	15.96 kΩ

Position 2

LED	Water Resistance
8	18.83 kΩ
7	33.80 kΩ
6	53.06 kΩ
5	78.74 kΩ
4	114.61 kΩ
3	168.61 kΩ
2	258.48 kΩ
1	438.22 kΩ

Position 3

LED	Water Resistance
8	197.26 kΩ
7	347.04 kΩ
6	539.62 kΩ
5	796.39 kΩ
4	1,155.86 kΩ
3	1,695.08 kΩ
2	2,593.77 kΩ
1	4,391.16 kΩ

X-ON Electronics

Largest Supplier of Electrical and Electronic Components

Click to view similar products for [Component Kits](#) category:

Click to view products by [Global Specialties](#) manufacturer:

Other Similar products are found below :

[T107/C](#) [5210211](#) [KIT-ENERGY HARVEST](#) [KIT PROTO SHIELDS](#) [GSK-1004](#) [G30-7100](#) [G10-7100](#) [G30-8000](#) [BOX3-1455L-BK](#) [4504](#)
[B03-7100](#) [B04-7100](#) [B05-7100](#) [2450L/C603D](#) [L201DC](#) [L/C-201DL](#) [L/C-805DS](#) [KBOX1-AC-SV-PR2H](#) [L/C-603DS](#) [RGCBNJ660P22](#) [B10-](#)
[8000](#) [B20-7100](#) [B45-8000](#) [MH-1](#) [MH-2](#) [TW-E41-1020](#) [TW-E41-1060](#) [B04-8000](#) [B03-8000](#) [G10-8000](#) [KBOX3-AL-SV-POW](#) [B05-8000](#)
[G20-7100](#) [GSK-820](#) [GSK-1001](#) [GSK-944](#) [GSK-409](#) [GSK-918](#) [JRG01-EXP2](#) [G20-8000](#) [977990](#) [CCAUTO-LAB1](#) [CC-LAB2](#) [JRG01-KIT](#)
[JRG01-PARTS](#) [JRG01-PCB](#) [6002-240-001](#) [GSC-DL020](#) [GSK-1005](#) [GSK-109](#)