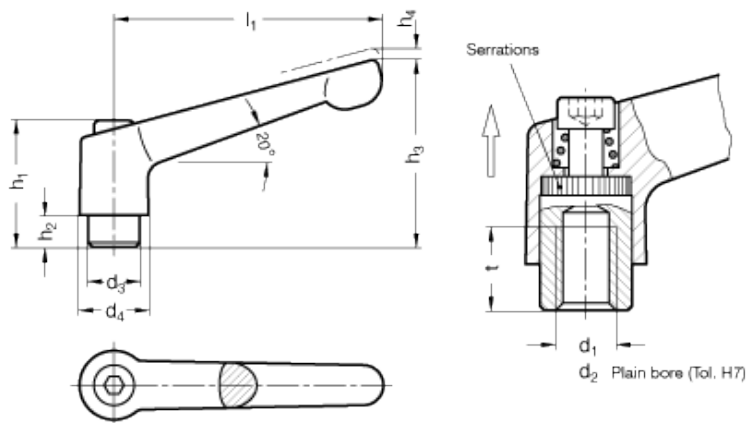


GN 300

Adjustable handles



technical informations

Lever body

Zinc alloy die-cast, epoxy resin coating.

Colour

RAL 9005 black matte finish, RAL 2004 orange, RAL 3000 red textured finish, RAL 9006 silver, RAL 9011 graphite black, chromium-plated, uncoated.

Clamping element

Black-oxide steel with threaded hole and toothed element for coupling to the lever body, treated steel retaining screw and return spring.

Special executions on request (For sufficient quantities)

- Lever body in different colours.
- Chrome-plated lever.
- Clamping element with different threadings and lengths.

Features and applications

Particularly suitable when the lever turning angle is limited owing to lack of space.

Instructions of use

For clamping, lift the lever to disengage the clamping device toothing and bring it back to start position. By releasing the lever, the return spring automatically engages the toothing.
If the lever cannot make a 360° rotation, the clamping element can be easily screwed by means of the hexagon socket front head screw (after having disengaged the lever).

SW RAL 9005 OS RAL 2004 RS RAL 3000 SR RAL 9006 GR RAL 9011

Standard Elements	Main dimensions							Mounting hole			Weight
Description	l ₁	d ₃	d ₄	h ₁	h ₂	h ₃	h ₄	d ₁	d ₂	t _{min.}	g
GN 300-30-M3-*	30	10	13	24.5	4	31	3.5	M3	-	7	15
GN 300-30-B5-*	30	10	13	24.5	4	31	3.5	-	5	7	15
GN 300-30-B6-*	30	10	13	24.5	4	31	3.5	-	6	7	15
GN 300-30-M4-*	30	10	13	24.5	4	31	3.5	M4	-	9	15
GN 300-30-M5-*	30	10	13	24.5	4	31	3.5	M5	-	9	15
GN 300-30-M6-*	30	10	13	24.5	4	31	3.5	M6	-	9	15
GN 300-45-B5-*	45	10	13	24.5	4	35	3.5	-	5	9	33
GN 300-45-B6-*	45	10	13	24.5	4	35	3.5	-	6	9	32
GN 300-45-M4-*	45	10	13	24.5	4	35	3.5	M4	-	9	34
GN 300-45-M5-*	45	10	13	24.5	4	35	3.5	M5	-	9	34
GN 300-45-M6-*	45	10	13	24.5	4	35	3.5	M6	-	9	33
GN 300-63-B8-*	63	13.5	17.5	31	6.5	45	4	-	8	11	74
GN 300-63-M6-*	63	13.5	17.5	31	6.5	45	4	M6	-	11	76
GN 300-63-M8-*	63	13.5	17.5	31	6.5	45	4	M8	-	11	74
GN 300-78-B8-*	78	16	21	36	8	55	4	-	8	14	122
GN 300-78-B10-*	78	16	21	36	8	55	4	-	10	14	118
GN 300-78-M8-*	78	16	21	36	8	55	4	M8	-	14	123
GN 300-78-M10-*	78	16	21	36	8	55	4	M10	-	17	194
GN 300-92-B12-*	92	19	24	43	11	65	4	-	12	17	178
GN 300-92-M10-*	92	19	24	43	11	65	4	M10	-	17	194
GN 300-92-M12-*	92	19	24	43	11	65	4	M12	-	17	171
GN 300-108-B12-*	108	23	30	50.5	12	76	5	-	12	22	305
GN 300-108-B16-*	108	23	30	50.5	12	76	5	-	16	22	345
GN 300-108-M12-*	108	23	30	50.5	12	76	5	M12	-	22	306
GN 300-108-M14-*	108	23	30	50.5	12	76	5	M14	-	22	298
GN 300-108-M16-*	108	23	30	50.5	12	76	5	M16	-	22	306

* Complete the description of the standard item needed by adding the index of the colour of the lever body: SW (black), OS (orange), RS (red matte finish), SR (silver), SR (graphite black), CR (chrome-plated), RH (uncoated).

This product had the following design awards:



design83



stuttgart



STANDARD MACHINE ELEMENTS WORLDWIDE

X-ON Electronics

Largest Supplier of Electrical and Electronic Components

Click to view similar products for [Bench Top Tools](#) category:

Click to view products by [Elesa & Ganter](#) manufacturer:

Other Similar products are found below :

[63801-7271](#) [5-690451-2](#) [570416-000](#) [59737-3](#) [6-1372442-6](#) [6-21084-7](#) [6-2119582-2](#) [63801-4462](#) [63801-7269](#) [639029070](#) [679527-1](#) [68284-1](#) [690223-2](#) [691530-1](#) [7-18023-8](#) [768514-1](#) [768539-1](#) [768597-1](#) [809696-1](#) [810408](#) [811070-1](#) [819347-1](#) [852772-1](#) [853858-1](#) [854130-1](#) [854178-1](#) [854946-1](#) [854946-2](#) [856189-1](#) [904262-1](#) [904449-1](#) [9-1633962-3](#) [9-1633962-4](#) [9-1633962-5](#) [9-22279-4](#) [9-22280-9](#) [970609-000](#) [986096-2](#) [1-1901695-2](#) [1-1901696-2](#) [992438-3](#) [1-1976053-3](#) [1-2119644-2](#) [1-2119644-3](#) [1-2119791-1](#) [1-25022-4](#) [125327-000](#) [122760-1](#) [1-23470-5](#) [126379-1](#)