

GN 40

Levelling feet

Steel zinc plated, without fixing lug



Specification

Types (Base plate)

- Type **A0**: Steel, zinc plated, without rubber underlay
- Type **A1**: Steel, zinc plated, rubber clipped on, black
- Type **B0**: without rubber underlay, with 2 fixing holes
- Type **D3**: Stainless Steel, blank, rubber vulcanised, black

Version

- Version **S**: without nut, external hexagon at the bottom
- Version **SK**: with nut, external hexagon at the bottom
- Version **U**: without nut, Hexagon socket at the top, Wrench flat at the bottom
- Version **UK**: Hexagon socket at the top, Wrench flat at the bottom
- Version **X**: with female thread, External hexagon

Base plate

- Type A0 / A1: Steel, zinc plated
- Type D3: Stainless Steel AISI 303

Threaded stem

Steel, zinc plated, blue passivated

Hexagon nut ISO 4032

Steel, zinc plated, blue passivated

Rubber cap, clipped on

black, Santoprene® (TPE) 80 ≈ Shore A

Rubber underlay, vulcanised

black, Perbunan® (NBR) 70 ± Shore A

Information

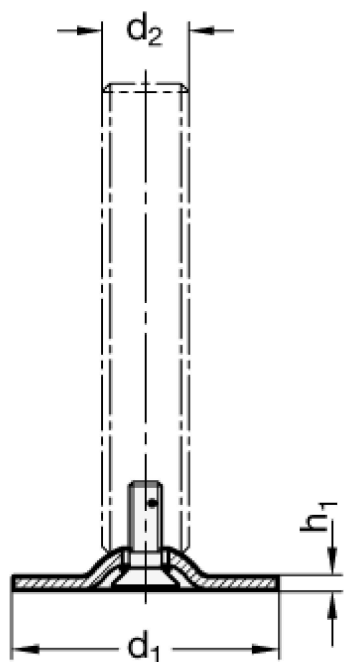
Levelling feet GN 40 are easy and very reasonably priced foot design variants.

They will be delivered mounted and are not removable.

- Levelling feet [GN 30](#)
- Stainless Steel-Levelling feet [GN 41](#)
- Stainless Steel-Levelling feet [GN 43](#)

Technical Information

- [Stainless Steel characteristics](#)
- [Elastomer characteristics](#)



Information

The static load bearing capacity given in the table rests on a test series in which the load has been applied perpendicular to the base plate (without rubber underlay). For the values given in the table, the strain relief may result in minor deformations of the base plate.

Bending and buckling stress which often occurs in practice results in a lower load bearing capacity of the adjustment spindle and may have to be taken into account.

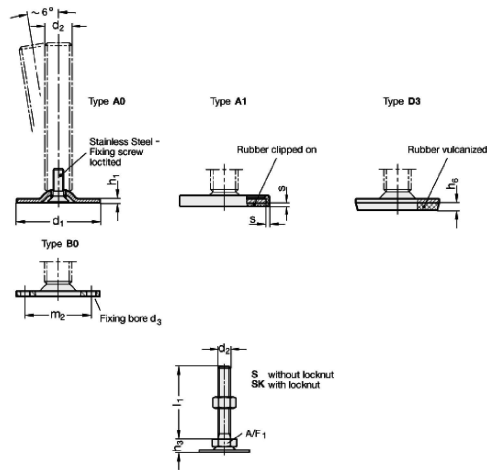
Also, the spindle strength is assumed to be $\geq 500 \text{ N/mm}^2$.

The details given on strength are nonbinding guide values without any liability. In general, they do not constitute a warranty of quality.

The user must determine from case to case if a product is suitable for the intended purpose or use. Environmental factors may influence the stated values.

d1	d2	Static load in kN	-	-
-	-	Versions of threaded stem	-	-
-	-	S / SK	U / UK	x
40	M 8	7	-	7
40	M 10	7	-	7
40	M 12	7	-	7
40	M 16	-	7	7
50	M 8	8	-	8
50	M 10	8	-	8
50	M 12	8	-	8
50	M 16	-	8	8
60	M 8	8	-	8
60	M 10	10	-	10
60	M 12	10	-	10
60	M 16	-	10	10

80	M 8	8	-	8
80	M 10	10	-	10
80	M 12	12	-	12
80	M 16	-	12	12
80	M 20	-	16	16
80	M 24	-	16	-



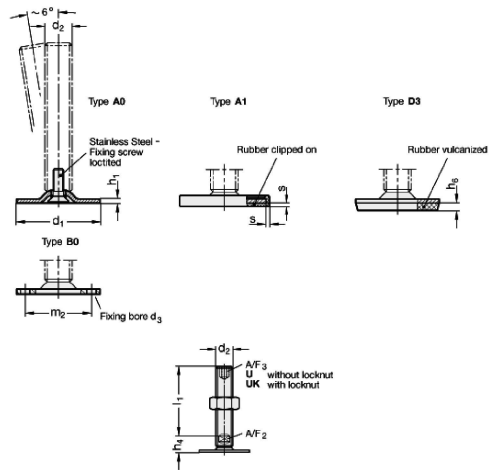
Description	d_1	d_2	l_1	d_3	h_1	h_2	m_2	s	h_3	A/F 1	Weight
GN 40-40-M8-40-A0-S	40	M 8	40	-	2	-	-	-	11	17	47
GN 40-40-M8-40-A1-S	40	M 8	40	-	2	-	-	1.5	11	17	50
GN 40-40-M8-40-B0-S	40	M 8	40	5.4	2	-	30	-	11	17	15
GN 40-40-M8-40-D3-S	40	M 8	40	-	2	3.5	-	-	11	17	52
GN 40-40-M8-50-A0-S	40	M 8	50	-	2	-	-	-	11	17	51
GN 40-40-M8-50-A1-S	40	M 8	50	-	2	-	-	1.5	11	17	53
GN 40-40-M8-50-B0-S	40	M 8	50	5.4	2	-	30	-	11	17	43
GN 40-40-M8-50-D3-S	40	M 8	50	-	2	3.5	-	-	11	17	54
GN 40-40-M8-63-A0-S	40	M 8	63	-	2	-	-	-	11	17	55
GN 40-40-M8-63-A1-S	40	M 8	63	-	2	-	-	1.5	11	17	57
GN 40-40-M8-63-B0-S	40	M 8	63	5.4	2	-	30	-	11	17	47
GN 40-40-M8-63-D3-S	40	M 8	63	-	2	3.5	-	-	11	17	58
GN 40-40-M10-50-A0-S	40	M 10	50	-	2	-	-	-	11	17	64
GN 40-40-M10-50-A1-S	40	M 10	50	-	2	-	-	1.5	11	17	58
GN 40-40-M10-50-B0-S	40	M 10	50	5.4	2	-	30	-	11	17	73
GN 40-40-M10-50-D3-S	40	M 10	50	-	2	3.5	-	-	11	17	74
GN 40-40-M10-60-A0-S	40	M 10	60	-	2	-	-	-	11	17	60
GN 40-40-M10-60-A1-S	40	M 10	60	-	2	-	-	1.5	11	17	73
GN 40-40-M10-60-B0-S	40	M 10	60	5.4	2	-	30	-	11	17	77
GN 40-40-M10-60-D3-S	40	M 10	60	-	2	3.5	-	-	11	17	70
GN 40-40-M10-80-A0-S	40	M 10	80	-	2	-	-	-	11	17	100
GN 40-40-M10-80-A1-S	40	M 10	80	-	2	-	-	1.5	11	17	82
GN 40-40-M10-80-B0-S	40	M 10	80	5.4	2	-	30	-	11	17	87
GN 40-40-M10-80-D3-S	40	M 10	80	-	2	3.5	-	-	11	17	90
GN 40-40-M10-100-A0-S	40	M 10	100	-	2	-	-	-	11	17	90
GN 40-40-M10-100-A1-S	40	M 10	100	-	2	-	-	1.5	11	17	100
GN 40-40-M10-100-B0-S	40	M 10	100	5.4	2	-	30	-	11	17	97
GN 40-40-M10-100-D3-S	40	M 10	100	-	2	3.5	-	-	11	17	98
GN 40-40-M12-60-A0-S	40	M 12	60	-	2	-	-	-	11	17	88
GN 40-40-M12-60-A1-S	40	M 12	60	-	2	-	-	1.5	11	17	77
GN 40-40-M12-60-B0-S	40	M 12	60	5.4	2	-	30	-	11	17	90
GN 40-40-M12-60-D3-S	40	M 12	60	-	2	3.5	-	-	11	17	91
GN 40-40-M12-80-A0-S	40	M 12	80	-	2	-	-	-	11	17	103
GN 40-40-M12-80-A1-S	40	M 12	80	-	2	-	-	1.5	11	17	105
GN 40-40-M12-80-B0-S	40	M 12	80	5.4	2	-	30	-	11	17	105
GN 40-40-M12-80-D3-S	40	M 12	80	-	2	3.5	-	-	11	17	110
GN 40-40-M12-100-A0-S	40	M 12	100	-	2	-	-	-	11	17	118
GN 40-40-M12-100-A1-S	40	M 12	100	-	2	-	-	1.5	11	17	120
GN 40-40-M12-100-B0-S	40	M 12	100	5.4	2	-	30	-	11	17	119
GN 40-40-M12-100-D3-S	40	M 12	100	-	2	3.5	-	-	11	17	120
GN 40-40-M12-125-A0-S	40	M 12	125	-	2	-	-	-	11	17	140
GN 40-40-M12-125-A1-S	40	M 12	125	-	2	-	-	1.5	11	17	140
GN 40-40-M12-125-B0-S	40	M 12	125	5.4	2	-	30	-	11	17	9645
GN 40-40-M12-125-D3-S	40	M 12	125	-	2	3.5	-	-	11	17	140
GN 40-50-M8-40-A0-S	50	M 8	40	-	2.5	-	-	-	11	17	648
GN 40-50-M8-40-A1-S	50	M 8	40	-	2.5	-	-	2	11	17	71
GN 40-50-M8-40-B0-S	50	M 8	40	6.6	2.5	-	38	-	11	17	58
GN 40-50-M8-40-D3-S	50	M 8	40	-	2.5	4	-	-	11	17	95
GN 40-50-M8-50-A0-S	50	M 8	50	-	2.5	-	-	-	11	17	69
GN 40-50-M8-50-A1-S	50	M 8	50	-	2.5	-	-	2	11	17	72
GN 40-50-M8-50-B0-S	50	M 8	50	6.6	2.5	-	38	-	11	17	61
GN 40-50-M8-50-D3-S	50	M 8	50	-	2.5	4	-	-	11	17	80
GN 40-50-M8-63-A0-S	50	M 8	63	-	2.5	-	-	-	11	17	72
GN 40-50-M8-63-A1-S	50	M 8	63	-	2.5	-	-	2	11	17	79
GN 40-50-M8-63-B0-S	50	M 8	63	6.6	2.5	-	38	-	11	17	65
GN 40-50-M8-63-D3-S	50	M 8	63	-	2.5	4	-	-	11	17	80
GN 40-50-M10-50-A0-S	50	M 10	50	-	2.5	-	-	-	11	17	82

GN 40-50-M10-50-A1-S	50	M 10	50	-	2.5	-	-	2	11	17	89
GN 40-50-M10-50-B0-S	50	M 10	50	6.6	2.5	-	38	-	11	17	91
GN 40-50-M10-50-D3-S	50	M 10	50	-	2.5	4	-	-	11	17	92
GN 40-50-M10-60-A0-S	50	M 10	60	-	2.5	-	-	-	11	17	88
GN 40-50-M10-60-A1-S	50	M 10	60	-	2.5	-	-	2	11	17	80
GN 40-50-M10-60-B0-S	50	M 10	60	6.6	2.5	-	38	-	11	17	95
GN 40-50-M10-60-D3-S	50	M 10	60	-	2.5	4	-	-	11	17	100
GN 40-50-M10-80-A0-S	50	M 10	80	-	2.5	-	-	-	11	17	98
GN 40-50-M10-80-A1-S	50	M 10	80	-	2.5	-	-	2	11	17	103
GN 40-50-M10-80-B0-S	50	M 10	80	6.6	2.5	-	38	-	11	17	150
GN 40-50-M10-80-D3-S	50	M 10	80	-	2.5	4	-	-	11	17	100
GN 40-50-M10-100-A0-S	50	M 10	100	-	2.5	-	-	-	11	17	108
GN 40-50-M10-100-A1-S	50	M 10	100	-	2.5	-	-	2	11	17	100
GN 40-50-M10-100-B0-S	50	M 10	100	6.6	2.5	-	38	-	11	17	115
GN 40-50-M10-100-D3-S	50	M 10	100	-	2.5	4	-	-	11	17	120
GN 40-50-M12-60-A0-S	50	M 12	60	-	2.5	-	-	-	11	17	106
GN 40-50-M12-60-A1-S	50	M 12	60	-	2.5	-	-	2	11	17	112
GN 40-50-M12-60-B0-S	50	M 12	60	6.6	2.5	-	38	-	11	17	108
GN 40-50-M12-60-D3-S	50	M 12	60	-	2.5	4	-	-	11	17	120
GN 40-50-M12-80-A0-S	50	M 12	80	-	2.5	-	-	-	11	17	119
GN 40-50-M12-80-A1-S	50	M 12	80	-	2.5	-	-	2	11	17	130
GN 40-50-M12-80-B0-S	50	M 12	80	6.6	2.5	-	38	-	11	17	123
GN 40-50-M12-80-D3-S	50	M 12	80	-	2.5	4	-	-	11	17	140
GN 40-50-M12-100-A0-S	50	M 12	100	-	2.5	-	-	-	11	17	137
GN 40-50-M12-100-A1-S	50	M 12	100	-	2.5	-	-	2	11	17	130
GN 40-50-M12-100-B0-S	50	M 12	100	6.6	2.5	-	38	-	11	17	137
GN 40-50-M12-100-D3-S	50	M 12	100	-	2.5	4	-	-	11	17	140
GN 40-50-M12-125-A0-S	50	M 12	125	-	2.5	-	-	-	11	17	184
GN 40-50-M12-125-A1-S	50	M 12	125	-	2.5	-	-	2	11	17	160
GN 40-50-M12-125-B0-S	50	M 12	125	6.6	2.5	-	38	-	11	17	9663
GN 40-50-M12-125-D3-S	50	M 12	125	-	2.5	4	-	-	11	17	150
GN 40-60-M8-40-A0-S	60	M 8	40	-	2.5	-	-	-	11	17	84
GN 40-60-M8-40-A1-S	60	M 8	40	-	2.5	-	-	2	11	17	91
GN 40-60-M8-40-B0-S	60	M 8	40	6.6	2.5	-	48	-	11	17	75
GN 40-60-M8-40-D3-S	60	M 8	40	-	2.5	4.5	-	-	11	17	100
GN 40-60-M8-50-A0-S	60	M 8	50	-	2.5	-	-	-	11	17	863
GN 40-60-M8-50-A1-S	60	M 8	50	-	2.5	-	-	2	11	17	95
GN 40-60-M8-50-B0-S	60	M 8	50	6.6	2.5	-	48	-	11	17	78
GN 40-60-M8-50-D3-S	60	M 8	50	-	2.5	4.5	-	-	11	17	90
GN 40-60-M8-63-A0-S	60	M 8	63	-	2.5	-	-	-	11	17	903
GN 40-60-M8-63-A1-S	60	M 8	63	-	2.5	-	-	2	11	17	90
GN 40-60-M8-63-B0-S	60	M 8	63	6.6	2.5	-	48	-	11	17	82
GN 40-60-M8-63-D3-S	60	M 8	63	-	2.5	4.5	-	-	11	17	100
GN 40-60-M10-50-A0-S	60	M 10	50	-	2.5	-	-	-	11	17	100
GN 40-60-M10-50-A1-S	60	M 10	50	-	2.5	-	-	2	11	17	107
GN 40-60-M10-50-B0-S	60	M 10	50	6.6	2.5	-	48	-	11	17	107
GN 40-60-M10-50-D3-S	60	M 10	50	-	2.5	4.5	-	-	11	17	120
GN 40-60-M10-60-A0-S	60	M 10	60	-	2.5	-	-	-	11	17	104
GN 40-60-M10-60-A1-S	60	M 10	60	-	2.5	-	-	2	11	17	100
GN 40-60-M10-60-B0-S	60	M 10	60	6.6	2.5	-	48	-	11	17	112
GN 40-60-M10-60-D3-S	60	M 10	60	-	2.5	4.5	-	-	11	17	120
GN 40-60-M10-80-A0-S	60	M 10	80	-	2.5	-	-	-	11	17	114
GN 40-60-M10-80-A1-S	60	M 10	80	-	2.5	-	-	2	11	17	120
GN 40-60-M10-80-B0-S	60	M 10	80	6.6	2.5	-	48	-	11	17	121
GN 40-60-M10-80-D3-S	60	M 10	80	-	2.5	4.5	-	-	11	17	150
GN 40-60-M10-100-A0-S	60	M 10	100	-	2.5	-	-	-	11	17	125
GN 40-60-M10-100-A1-S	60	M 10	100	-	2.5	-	-	2	11	17	120
GN 40-60-M10-100-B0-S	60	M 10	100	6.6	2.5	-	48	-	11	17	131
GN 40-60-M10-100-D3-S	60	M 10	100	-	2.5	4.5	-	-	11	17	140
GN 40-60-M12-60-A0-S	60	M 12	60	-	2.5	-	-	-	11	17	121
GN 40-60-M12-60-A1-S	60	M 12	60	-	2.5	-	-	2	11	17	120
GN 40-60-M12-60-B0-S	60	M 12	60	6.6	2.5	-	48	-	11	17	124
GN 40-60-M12-60-D3-S	60	M 12	60	-	2.5	4.5	-	-	11	17	120
GN 40-60-M12-80-A0-S	60	M 12	80	-	2.5	-	-	-	11	17	136
GN 40-60-M12-80-A1-S	60	M 12	80	-	2.5	-	-	2	11	17	150
GN 40-60-M12-80-B0-S	60	M 12	80	6.6	2.5	-	48	-	11	17	139
GN 40-60-M12-80-D3-S	60	M 12	80	-	2.5	4.5	-	-	11	17	152
GN 40-60-M12-100-A0-S	60	M 12	100	-	2.5	-	-	-	11	17	151
GN 40-60-M12-100-A1-S	60	M 12	100	-	2.5	-	-	2	11	17	140
GN 40-60-M12-100-B0-S	60	M 12	100	6.6	2.5	-	48	-	11	17	153
GN 40-60-M12-100-D3-S	60	M 12	100	-	2.5	4.5	-	-	11	17	160
GN 40-60-M12-125-A0-S	60	M 12	125	-	2.5	-	-	-	11	17	167
GN 40-60-M12-125-A1-S	60	M 12	125	-	2.5	-	-	2	11	17	180
GN 40-60-M12-125-B0-S	60	M 12	125	6.6	2.5	-	48	-	11	17	9679
GN 40-60-M12-125-D3-S	60	M 12	125	-	2.5	4.5	-	-	11	17	180
GN 40-80-M8-40-A0-S	80	M 8	40	-	3	-	-	-	12	17	107
GN 40-80-M8-40-A1-S	80	M 8	40	-	3	-	-	2	12	17	160
GN 40-80-M8-40-B0-S	80	M 8	40	8.6	3	-	64	-	12	17	135
GN 40-80-M8-40-D3-S	80	M 8	40	-	3	5	-	-	12	17	180
GN 40-80-M8-50-A0-S	80	M 8	50	-	3	-	-	-	12	17	1505
GN 40-80-M8-50-A1-S	80	M 8	50	-	3	-	-	2	12	17	160
GN 40-80-M8-50-B0-S	80	M 8	50	8.6	3	-	64	-	12	17	138
GN 40-80-M8-50-D3-S	80	M 8	50	-	3	5	-	-	12	17	170
GN 40-80-M8-63-A0-S	80	M 8	63	-	3	-	-	-	12	17	380
GN 40-80-M8-63-A1-S	80	M 8	63	-	3	-	-	2	12	17	160
GN 40-80-M8-63-B0-S	80	M 8	63	8.6	3	-	64	-	12	17	142
GN 40-80-M8-63-D3-S	80	M 8	63	-	3	5	-	-	12	17	179

GN 40-80-M10-50-A0-S	80	M 10	50	-	3	-	-	-	12	17	166
GN 40-80-M10-50-A1-S	80	M 10	50	-	3	-	-	2	12	17	170
GN 40-80-M10-50-B0-S	80	M 10	50	8.6	3	-	64	-	12	17	168
GN 40-80-M10-50-D3-S	80	M 10	50	-	3	5	-	-	12	17	190
GN 40-80-M10-60-A0-S	80	M 10	60	-	3	-	-	-	12	17	180
GN 40-80-M10-60-A1-S	80	M 10	60	-	3	-	-	2	12	17	180
GN 40-80-M10-60-B0-S	80	M 10	60	8.6	3	-	64	-	12	17	173
GN 40-80-M10-60-D3-S	80	M 10	60	-	3	5	-	-	12	17	200
GN 40-80-M10-80-A0-S	80	M 10	80	-	3	-	-	-	12	17	181
GN 40-80-M10-80-A1-S	80	M 10	80	-	3	-	-	2	12	17	200
GN 40-80-M10-80-B0-S	80	M 10	80	8.6	3	-	64	-	12	17	182
GN 40-80-M10-80-D3-S	80	M 10	80	-	3	5	-	-	12	17	200
GN 40-80-M10-100-A0-S	80	M 10	100	-	3	-	-	-	12	17	189
GN 40-80-M10-100-A1-S	80	M 10	100	-	3	-	-	2	12	17	200
GN 40-80-M10-100-B0-S	80	M 10	100	8.6	3	-	64	-	12	17	192
GN 40-80-M10-100-D3-S	80	M 10	100	-	3	5	-	-	12	17	225
GN 40-80-M12-60-A0-S	80	M 12	60	-	3	-	-	-	12	17	187
GN 40-80-M12-60-A1-S	80	M 12	60	-	3	-	-	2	12	17	205
GN 40-80-M12-60-B0-S	80	M 12	60	8.6	3	-	64	-	12	17	185
GN 40-80-M12-60-D3-S	80	M 12	60	-	3	5	-	-	12	17	220
GN 40-80-M12-80-A0-S	80	M 12	80	-	3	-	-	-	12	17	201
GN 40-80-M12-80-A1-S	80	M 12	80	-	3	-	-	2	12	17	200
GN 40-80-M12-80-B0-S	80	M 12	80	8.6	3	-	64	-	12	17	200
GN 40-80-M12-80-D3-S	80	M 12	80	-	3	5	-	-	12	17	210
GN 40-80-M12-100-A0-S	80	M 12	100	-	3	-	-	-	12	17	215
GN 40-80-M12-100-A1-S	80	M 12	100	-	3	-	-	2	12	17	230
GN 40-80-M12-100-B0-S	80	M 12	100	8.6	3	-	64	-	12	17	214
GN 40-80-M12-100-D3-S	80	M 12	100	-	3	5	-	-	12	17	250
GN 40-80-M12-125-A0-S	80	M 12	125	-	3	-	-	-	12	17	233
GN 40-80-M12-125-A1-S	80	M 12	125	-	3	-	-	2	12	17	240
GN 40-80-M12-125-B0-S	80	M 12	125	8.6	3	-	64	-	12	17	9740
GN 40-80-M12-125-D3-S	80	M 12	125	-	3	5	-	-	12	17	260
GN 40-40-M8-40-A0-SK	40	M 8	40	-	2	-	-	-	11	17	47
GN 40-40-M8-40-A1-SK	40	M 8	40	-	2	-	-	1.5	11	17	50
GN 40-40-M8-40-B0-SK	40	M 8	40	5.4	2	-	30	-	11	17	45
GN 40-40-M8-40-D3-SK	40	M 8	40	-	2	3.5	-	-	11	17	52
GN 40-40-M8-50-A0-SK	40	M 8	50	-	2	-	-	-	11	17	51
GN 40-40-M8-50-A1-SK	40	M 8	50	-	2	-	-	1.5	11	17	53
GN 40-40-M8-50-B0-SK	40	M 8	50	5.4	2	-	30	-	11	17	48
GN 40-40-M8-50-D3-SK	40	M 8	50	-	2	3.5	-	-	11	17	54
GN 40-40-M8-63-A0-SK	40	M 8	63	-	2	-	-	-	11	17	55
GN 40-40-M8-63-A1-SK	40	M 8	63	-	2	-	-	1.5	11	17	57
GN 40-40-M8-63-B0-SK	40	M 8	63	5.4	2	-	30	-	11	17	52
GN 40-40-M8-63-D3-SK	40	M 8	63	-	2	3.5	-	-	11	17	58
GN 40-40-M10-50-A0-SK	40	M 10	50	-	2	-	-	-	11	17	64
GN 40-40-M10-50-A1-SK	40	M 10	50	-	2	-	-	1.5	11	17	67
GN 40-40-M10-50-B0-SK	40	M 10	50	5.4	2	-	30	-	11	17	82
GN 40-40-M10-50-D3-SK	40	M 10	50	-	2	3.5	-	-	11	17	60
GN 40-40-M10-60-A0-SK	40	M 10	60	-	2	-	-	-	11	17	60
GN 40-40-M10-60-A1-SK	40	M 10	60	-	2	-	-	1.5	11	17	73
GN 40-40-M10-60-B0-SK	40	M 10	60	5.4	2	-	30	-	11	17	86
GN 40-40-M10-60-D3-SK	40	M 10	60	-	2	3.5	-	-	11	17	70
GN 40-40-M10-80-A0-SK	40	M 10	80	-	2	-	-	-	11	17	100
GN 40-40-M10-80-A1-SK	40	M 10	80	-	2	-	-	1.5	11	17	82
GN 40-40-M10-80-B0-SK	40	M 10	80	5.4	2	-	30	-	11	17	96
GN 40-40-M10-80-D3-SK	40	M 10	80	-	2	3.5	-	-	11	17	90
GN 40-40-M10-100-A0-SK	40	M 10	100	-	2	-	-	-	11	17	90
GN 40-40-M10-100-A1-SK	40	M 10	100	-	2	-	-	1.5	11	17	94
GN 40-40-M10-100-B0-SK	40	M 10	100	5.4	2	-	30	-	11	17	106
GN 40-40-M10-100-D3-SK	40	M 10	100	-	2	3.5	-	-	11	17	100
GN 40-40-M12-60-A0-SK	40	M 12	60	-	2	-	-	-	11	17	88
GN 40-40-M12-60-A1-SK	40	M 12	60	-	2	-	-	1.5	11	17	91
GN 40-40-M12-60-B0-SK	40	M 12	60	5.4	2	-	30	-	11	17	104
GN 40-40-M12-60-D3-SK	40	M 12	60	-	2	3.5	-	-	11	17	91
GN 40-40-M12-80-A0-SK	40	M 12	80	-	2	-	-	-	11	17	103
GN 40-40-M12-80-A1-SK	40	M 12	80	-	2	-	-	1.5	11	17	105
GN 40-40-M12-80-B0-SK	40	M 12	80	5.4	2	-	30	-	11	17	119
GN 40-40-M12-80-D3-SK	40	M 12	80	-	2	3.5	-	-	11	17	110
GN 40-40-M12-100-A0-SK	40	M 12	100	-	2	-	-	-	11	17	118
GN 40-40-M12-100-A1-SK	40	M 12	100	-	2	-	-	1.5	11	17	120
GN 40-40-M12-100-B0-SK	40	M 12	100	5.4	2	-	30	-	11	17	133
GN 40-40-M12-100-D3-SK	40	M 12	100	-	2	3.5	-	-	11	17	120
GN 40-40-M12-125-A0-SK	40	M 12	125	-	2	-	-	-	11	17	140
GN 40-40-M12-125-A1-SK	40	M 12	125	-	2	-	-	1.5	11	17	140
GN 40-40-M12-125-B0-SK	40	M 12	125	5.4	2	-	30	-	11	17	9659
GN 40-40-M12-125-D3-SK	40	M 12	125	-	2	3.5	-	-	11	17	140
GN 40-50-M8-40-A0-SK	50	M 8	40	-	2.5	-	-	-	11	17	648
GN 40-50-M8-40-A1-SK	50	M 8	40	-	2.5	-	-	2	11	17	71
GN 40-50-M8-40-B0-SK	50	M 8	40	6.6	2.5	-	38	-	11	17	63
GN 40-50-M8-40-D3-SK	50	M 8	40	-	2.5	4	-	-	11	17	95
GN 40-50-M8-50-A0-SK	50	M 8	50	-	2.5	-	-	-	11	17	69
GN 40-50-M8-50-A1-SK	50	M 8	50	-	2.5	-	-	2	11	17	72
GN 40-50-M8-50-B0-SK	50	M 8	50	6.6	2.5	-	38	-	11	17	66
GN 40-50-M8-50-D3-SK	50	M 8	50	-	2.5	4	-	-	11	17	80
GN 40-50-M8-63-A0-SK	50	M 8	63	-	2.5	-	-	-	11	17	72
GN 40-50-M8-63-A1-SK	50	M 8	63	-	2.5	-	-	2	11	17	79
GN 40-50-M8-63-B0-SK	50	M 8	63	6.6	2.5	-	38	-	11	17	70

GN 40-50-M8-63-D3-SK	50	M 8	63	-	2.5	4	-	-	11	17	80
GN 40-50-M10-50-A0-SK	50	M 10	50	-	2.5	-	-	-	11	17	82
GN 40-50-M10-50-A1-SK	50	M 10	50	-	2.5	-	-	2	11	17	89
GN 40-50-M10-50-B0-SK	50	M 10	50	6.6	2.5	-	38	-	11	17	83
GN 40-50-M10-50-D3-SK	50	M 10	50	-	2.5	4	-	-	11	17	92
GN 40-50-M10-60-A0-SK	50	M 10	60	-	2.5	-	-	-	11	17	88
GN 40-50-M10-60-A1-SK	50	M 10	60	-	2.5	-	-	2	11	17	80
GN 40-50-M10-60-B0-SK	50	M 10	60	6.6	2.5	-	38	-	11	17	104
GN 40-50-M10-60-D3-SK	50	M 10	60	-	2.5	4	-	-	11	17	100
GN 40-50-M10-80-A0-SK	50	M 10	80	-	2.5	-	-	-	11	17	98
GN 40-50-M10-80-A1-SK	50	M 10	80	-	2.5	-	-	2	11	17	103
GN 40-50-M10-80-B0-SK	50	M 10	80	6.6	2.5	-	38	-	11	17	114
GN 40-50-M10-80-D3-SK	50	M 10	80	-	2.5	4	-	-	11	17	100
GN 40-50-M10-100-A0-SK	50	M 10	100	-	2.5	-	-	-	11	17	108
GN 40-50-M10-100-A1-SK	50	M 10	100	-	2.5	-	-	2	11	17	100
GN 40-50-M10-100-B0-SK	50	M 10	100	6.6	2.5	-	38	-	11	17	124
GN 40-50-M10-100-D3-SK	50	M 10	100	-	2.5	4	-	-	11	17	120
GN 40-50-M12-60-A0-SK	50	M 12	60	-	2.5	-	-	-	11	17	106
GN 40-50-M12-60-A1-SK	50	M 12	60	-	2.5	-	-	2	11	17	112
GN 40-50-M12-60-B0-SK	50	M 12	60	6.6	2.5	-	38	-	11	17	122
GN 40-50-M12-60-D3-SK	50	M 12	60	-	2.5	4	-	-	11	17	120
GN 40-50-M12-80-A0-SK	50	M 12	80	-	2.5	-	-	-	11	17	119
GN 40-50-M12-80-A1-SK	50	M 12	80	-	2.5	-	-	2	11	17	130
GN 40-50-M12-80-B0-SK	50	M 12	80	6.6	2.5	-	38	-	11	17	137
GN 40-50-M12-80-D3-SK	50	M 12	80	-	2.5	4	-	-	11	17	140
GN 40-50-M12-100-A0-SK	50	M 12	100	-	2.5	-	-	-	11	17	137
GN 40-50-M12-100-A1-SK	50	M 12	100	-	2.5	-	-	2	11	17	140
GN 40-50-M12-100-B0-SK	50	M 12	100	6.6	2.5	-	38	-	11	17	151
GN 40-50-M12-100-D3-SK	50	M 12	100	-	2.5	4	-	-	11	17	140
GN 40-50-M12-125-A0-SK	50	M 12	125	-	2.5	-	-	-	11	17	184
GN 40-50-M12-125-A1-SK	50	M 12	125	-	2.5	-	-	2	11	17	160
GN 40-50-M12-125-B0-SK	50	M 12	125	6.6	2.5	-	38	-	11	17	9677
GN 40-50-M12-125-D3-SK	50	M 12	125	-	2.5	4	-	-	11	17	150
GN 40-60-M8-40-A0-SK	60	M 8	40	-	2.5	-	-	-	11	17	84
GN 40-60-M8-40-A1-SK	60	M 8	40	-	2.5	-	-	2	11	17	91
GN 40-60-M8-40-B0-SK	60	M 8	40	6.6	2.5	-	48	-	11	17	80
GN 40-60-M8-40-D3-SK	60	M 8	40	-	2.5	4.5	-	-	11	17	100
GN 40-60-M8-50-A0-SK	60	M 8	50	-	2.5	-	-	-	11	17	500
GN 40-60-M8-50-A1-SK	60	M 8	50	-	2.5	-	-	2	11	17	95
GN 40-60-M8-50-B0-SK	60	M 8	50	6.6	2.5	-	48	-	11	17	83
GN 40-60-M8-50-D3-SK	60	M 8	50	-	2.5	4.5	-	-	11	17	90
GN 40-60-M8-63-A0-SK	60	M 8	63	-	2.5	-	-	-	11	17	903
GN 40-60-M8-63-A1-SK	60	M 8	63	-	2.5	-	-	2	11	17	100
GN 40-60-M8-63-B0-SK	60	M 8	63	6.6	2.5	-	48	-	11	17	87
GN 40-60-M8-63-D3-SK	60	M 8	63	-	2.5	4.5	-	-	11	17	100
GN 40-60-M10-50-A0-SK	60	M 10	50	-	2.5	-	-	-	11	17	100
GN 40-60-M10-50-A1-SK	60	M 10	50	-	2.5	-	-	2	11	17	107
GN 40-60-M10-50-B0-SK	60	M 10	50	6.6	2.5	-	48	-	11	17	116
GN 40-60-M10-50-D3-SK	60	M 10	50	-	2.5	4.5	-	-	11	17	120
GN 40-60-M10-60-A0-SK	60	M 10	60	-	2.5	-	-	-	11	17	104
GN 40-60-M10-60-A1-SK	60	M 10	60	-	2.5	-	-	2	11	17	100
GN 40-60-M10-60-B0-SK	60	M 10	60	6.6	2.5	-	48	-	11	17	121
GN 40-60-M10-60-D3-SK	60	M 10	60	-	2.5	4.5	-	-	11	17	120
GN 40-60-M10-80-A0-SK	60	M 10	80	-	2.5	-	-	-	11	17	114
GN 40-60-M10-80-A1-SK	60	M 10	80	-	2.5	-	-	2	11	17	120
GN 40-60-M10-80-B0-SK	60	M 10	80	6.6	2.5	-	48	-	11	17	130
GN 40-60-M10-80-D3-SK	60	M 10	80	-	2.5	4.5	-	-	11	17	150
GN 40-60-M10-100-A0-SK	60	M 10	100	-	2.5	-	-	-	11	17	125
GN 40-60-M10-100-A1-SK	60	M 10	100	-	2.5	-	-	2	11	17	120
GN 40-60-M10-100-B0-SK	60	M 10	100	6.6	2.5	-	48	-	11	17	140
GN 40-60-M10-100-D3-SK	60	M 10	100	-	2.5	4.5	-	-	11	17	140
GN 40-60-M12-60-A0-SK	60	M 12	60	-	2.5	-	-	-	11	17	121
GN 40-60-M12-60-A1-SK	60	M 12	60	-	2.5	-	-	2	11	17	120
GN 40-60-M12-60-B0-SK	60	M 12	60	6.6	2.5	-	48	-	11	17	138
GN 40-60-M12-60-D3-SK	60	M 12	60	-	2.5	4.5	-	-	11	17	120
GN 40-60-M12-80-A0-SK	60	M 12	80	-	2.5	-	-	-	11	17	136
GN 40-60-M12-80-A1-SK	60	M 12	80	-	2.5	-	-	2	11	17	150
GN 40-60-M12-80-B0-SK	60	M 12	80	6.6	2.5	-	48	-	11	17	153
GN 40-60-M12-80-D3-SK	60	M 12	80	-	2.5	4.5	-	-	11	17	152
GN 40-60-M12-100-A0-SK	60	M 12	100	-	2.5	-	-	-	11	17	151
GN 40-60-M12-100-A1-SK	60	M 12	100	-	2.5	-	-	2	11	17	140
GN 40-60-M12-100-B0-SK	60	M 12	100	6.6	2.5	-	48	-	11	17	167
GN 40-60-M12-100-D3-SK	60	M 12	100	-	2.5	4.5	-	-	11	17	160
GN 40-60-M12-125-A0-SK	60	M 12	125	-	2.5	-	-	-	11	17	167
GN 40-60-M12-125-A1-SK	60	M 12	125	-	2.5	-	-	2	11	17	180
GN 40-60-M12-125-B0-SK	60	M 12	125	6.6	2.5	-	48	-	11	17	9693
GN 40-60-M12-125-D3-SK	60	M 12	125	-	2.5	4.5	-	-	11	17	180
GN 40-80-M8-40-A0-SK	80	M 8	40	-	3	-	-	-	12	17	1467
GN 40-80-M8-40-A1-SK	80	M 8	40	-	3	-	-	2	12	17	160
GN 40-80-M8-40-B0-SK	80	M 8	40	8.6	3	-	64	-	12	17	140
GN 40-80-M8-40-D3-SK	80	M 8	40	-	3	5	-	-	12	17	180
GN 40-80-M8-50-A0-SK	80	M 8	50	-	3	-	-	-	12	17	60
GN 40-80-M8-50-A1-SK	80	M 8	50	-	3	-	-	2	12	17	160
GN 40-80-M8-50-B0-SK	80	M 8	50	8.6	3	-	64	-	12	17	143
GN 40-80-M8-50-D3-SK	80	M 8	50	-	3	5	-	-	12	17	170
GN 40-80-M8-63-A0-SK	80	M 8	63	-	3	-	-	-	12	17	380
GN 40-80-M8-63-A1-SK	80	M 8	63	-	3	-	-	2	12	17	160

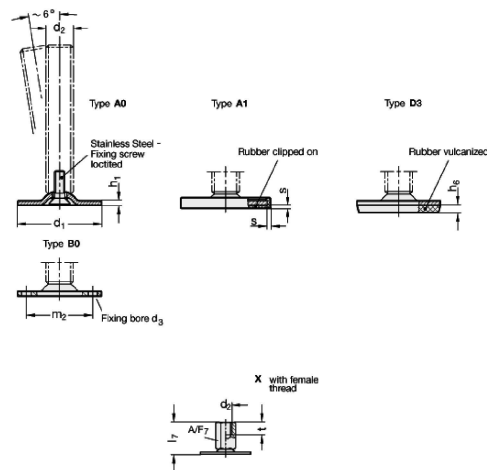
GN 40-80-M8-63-B0-SK	80	M 8	63	8.6	3	-	64	-	12	17	147
GN 40-80-M8-63-D3-SK	80	M 8	63	-	3	5	-	-	12	17	179
GN 40-80-M10-50-A0-SK	80	M 10	50	-	3	-	-	-	12	17	166
GN 40-80-M10-50-A1-SK	80	M 10	50	-	3	-	-	2	12	17	180
GN 40-80-M10-50-B0-SK	80	M 10	50	8.6	3	-	64	-	12	17	177
GN 40-80-M10-50-D3-SK	80	M 10	50	-	3	5	-	-	12	17	190
GN 40-80-M10-60-A0-SK	80	M 10	60	-	3	-	-	-	12	17	180
GN 40-80-M10-60-A1-SK	80	M 10	60	-	3	-	-	2	12	17	180
GN 40-80-M10-60-B0-SK	80	M 10	60	8.6	3	-	64	-	12	17	182
GN 40-80-M10-60-D3-SK	80	M 10	60	-	3	5	-	-	12	17	200
GN 40-80-M10-80-A0-SK	80	M 10	80	-	3	-	-	-	12	17	181
GN 40-80-M10-80-A1-SK	80	M 10	80	-	3	-	-	2	12	17	200
GN 40-80-M10-80-B0-SK	80	M 10	80	8.6	3	-	64	-	12	17	191
GN 40-80-M10-80-D3-SK	80	M 10	80	-	3	5	-	-	12	17	200
GN 40-80-M10-100-A0-SK	80	M 10	100	-	3	-	-	-	12	17	189
GN 40-80-M10-100-A1-SK	80	M 10	100	-	3	-	-	2	12	17	200
GN 40-80-M10-100-B0-SK	80	M 10	100	8.6	3	-	64	-	12	17	167
GN 40-80-M10-100-D3-SK	80	M 10	100	-	3	5	-	-	12	17	225
GN 40-80-M12-60-A0-SK	80	M 12	60	-	3	-	-	-	12	17	187
GN 40-80-M12-60-A1-SK	80	M 12	60	-	3	-	-	2	12	17	205
GN 40-80-M12-60-B0-SK	80	M 12	60	8.6	3	-	64	-	12	17	199
GN 40-80-M12-60-D3-SK	80	M 12	60	-	3	5	-	-	12	17	220
GN 40-80-M12-80-A0-SK	80	M 12	80	-	3	-	-	-	12	17	201
GN 40-80-M12-80-A1-SK	80	M 12	80	-	3	-	-	2	12	17	200
GN 40-80-M12-80-B0-SK	80	M 12	80	8.6	3	-	64	-	12	17	200
GN 40-80-M12-80-D3-SK	80	M 12	80	-	3	5	-	-	12	17	210
GN 40-80-M12-100-A0-SK	80	M 12	100	-	3	-	-	-	12	17	215
GN 40-80-M12-100-A1-SK	80	M 12	100	-	3	-	-	2	12	17	230
GN 40-80-M12-100-B0-SK	80	M 12	100	8.6	3	-	64	-	12	17	228
GN 40-80-M12-100-D3-SK	80	M 12	100	-	3	5	-	-	12	17	250
GN 40-80-M12-125-A0-SK	80	M 12	125	-	3	-	-	-	12	17	233
GN 40-80-M12-125-A1-SK	80	M 12	125	-	3	-	-	2	12	17	240
GN 40-80-M12-125-B0-SK	80	M 12	125	8.6	3	-	64	-	12	17	9754
GN 40-80-M12-125-D3-SK	80	M 12	125	-	3	5	-	-	12	17	260



Description	d ₁	d ₂	l ₁	d ₃	h ₁	h ₂	m ₂	s	h ₄	A/F ₂	A/F ₃	Weight
GN 40-40-M16-75-A0-U	40	M 16	75	-	2	-	-	-	17	12	8	153
GN 40-40-M16-75-A1-U	40	M 16	75	-	2	-	-	1.5	17	12	8	164
GN 40-40-M16-75-D3-U	40	M 16	75	-	2	3.5	-	-	17	12	8	160
GN 40-40-M16-100-A0-U	40	M 16	100	-	2	-	-	-	17	12	8	192
GN 40-40-M16-100-A1-U	40	M 16	100	-	2	-	-	1.5	17	12	8	180
GN 40-40-M16-100-D3-U	40	M 16	100	-	2	3.5	-	-	17	12	8	150
GN 40-40-M16-125-A0-U	40	M 16	125	-	2	-	-	-	17	12	8	215
GN 40-40-M16-125-A1-U	40	M 16	125	-	2	-	-	1.5	17	12	8	220
GN 40-40-M16-125-D3-U	40	M 16	125	-	2	3.5	-	-	17	12	8	220
GN 40-40-M16-150-A0-U	40	M 16	150	-	2	-	-	-	17	12	8	251
GN 40-40-M16-150-A1-U	40	M 16	150	-	2	-	-	1.5	17	12	8	254
GN 40-40-M16-150-D3-U	40	M 16	150	-	2	3.5	-	-	17	12	8	260
GN 40-40-M16-200-A0-U	40	M 16	200	-	2	-	-	-	17	12	8	320
GN 40-40-M16-200-A1-U	40	M 16	200	-	2	-	-	1.5	17	12	8	300
GN 40-40-M16-200-D3-U	40	M 16	200	-	2	3.5	-	-	17	12	8	320
GN 40-50-M16-75-A0-U	50	M 16	75	-	2.5	-	-	-	17	12	8	140
GN 40-50-M16-75-A1-U	50	M 16	75	-	2.5	-	-	2	17	12	8	177
GN 40-50-M16-75-B0-U	50	M 16	75	6.6	2.5	-	38	-	17	12	8	140
GN 40-50-M16-75-D3-U	50	M 16	75	-	2.5	4	-	-	17	12	8	150
GN 40-50-M16-100-A0-U	50	M 16	100	-	2.5	-	-	-	17	12	8	205
GN 40-50-M16-100-A1-U	50	M 16	100	-	2.5	-	-	2	17	12	8	213
GN 40-50-M16-100-B0-U	50	M 16	100	6.6	2.5	-	38	-	17	12	8	172
GN 40-50-M16-100-D3-U	50	M 16	100	-	2.5	4	-	-	17	12	8	220
GN 40-50-M16-125-A0-U	50	M 16	125	-	2.5	-	-	-	17	12	8	243
GN 40-50-M16-125-A1-U	50	M 16	125	-	2.5	-	-	2	17	12	8	241
GN 40-50-M16-125-B0-U	50	M 16	125	6.6	2.5	-	38	-	17	12	8	204
GN 40-50-M16-125-D3-U	50	M 16	125	-	2.5	4	-	-	17	12	8	250
GN 40-50-M16-150-A0-U	50	M 16	150	-	2.5	-	-	-	17	12	8	268
GN 40-50-M16-150-A1-U	50	M 16	150	-	2.5	-	-	2	17	12	8	280
GN 40-50-M16-150-B0-U	50	M 16	150	6.6	2.5	-	38	-	17	12	8	236
GN 40-50-M16-150-D3-U	50	M 16	150	-	2.5	4	-	-	17	12	8	280
GN 40-50-M16-200-A0-U	50	M 16	200	-	2.5	-	-	-	17	12	8	331
GN 40-50-M16-200-A1-U	50	M 16	200	-	2.5	-	-	2	17	12	8	340
GN 40-50-M16-200-B0-U	50	M 16	200	6.6	2.5	-	38	-	17	12	8	296
GN 40-50-M16-200-D3-U	50	M 16	200	-	2.5	4	-	-	17	12	8	320
GN 40-60-M16-75-A0-U	60	M 16	75	-	2.5	-	-	-	17	12	8	192
GN 40-60-M16-75-A1-U	60	M 16	75	-	2.5	-	-	2	17	12	8	200
GN 40-60-M16-75-B0-U	60	M 16	75	6.6	2.5	-	48	-	17	12	8	157
GN 40-60-M16-75-D3-U	60	M 16	75	-	2.5	4.5	-	-	17	12	8	250
GN 40-60-M16-100-A0-U	60	M 16	100	-	2.5	-	-	-	17	12	8	225
GN 40-60-M16-100-A1-U	60	M 16	100	-	2.5	-	-	2	17	12	8	220
GN 40-60-M16-100-B0-U	60	M 16	100	6.6	2.5	-	48	-	17	12	8	189
GN 40-60-M16-100-D3-U	60	M 16	100	-	2.5	4.5	-	-	17	12	8	240
GN 40-60-M16-125-A0-U	60	M 16	125	-	2.5	-	-	-	17	12	8	259
GN 40-60-M16-125-A1-U	60	M 16	125	-	2.5	-	-	2	17	12	8	260
GN 40-60-M16-125-B0-U	60	M 16	125	6.6	2.5	-	48	-	17	12	8	221
GN 40-60-M16-125-D3-U	60	M 16	125	-	2.5	4.5	-	-	17	12	8	250
GN 40-60-M16-150-A0-U	60	M 16	150	-	2.5	-	-	-	17	12	8	283
GN 40-60-M16-150-A1-U	60	M 16	150	-	2.5	-	-	2	17	12	8	300
GN 40-60-M16-150-B0-U	60	M 16	150	6.6	2.5	-	48	-	17	12	8	253
GN 40-60-M16-150-D3-U	60	M 16	150	-	2.5	4.5	-	-	17	12	8	300
GN 40-60-M16-200-A0-U	60	M 16	200	-	2.5	-	-	-	17	12	8	348
GN 40-60-M16-200-A1-U	60	M 16	200	-	2.5	-	-	2	17	12	8	360
GN 40-60-M16-200-B0-U	60	M 16	200	6.6	2.5	-	48	-	17	12	8	313
GN 40-60-M16-200-D3-U	60	M 16	200	-	2.5	4.5	-	-	17	12	8	360
GN 40-80-M16-75-A0-U	80	M 16	75	-	3	-	-	-	18	12	8	230
GN 40-80-M16-75-A1-U	80	M 16	75	-	3	-	-	2	18	12	8	270

GN 40-80-M16-75-B0-U	80	M 16	75	8.6	3	-	64	-	18	12	8	218
GN 40-80-M16-75-D3-U	80	M 16	75	-	3	5	-	-	18	12	8	280
GN 40-80-M16-100-A0-U	80	M 16	100	-	3	-	-	-	18	12	8	270
GN 40-80-M16-100-A1-U	80	M 16	100	-	3	-	-	2	18	12	8	300
GN 40-80-M16-100-B0-U	80	M 16	100	8.6	3	-	64	-	18	12	8	250
GN 40-80-M16-100-D3-U	80	M 16	100	-	3	5	-	-	18	12	8	320
GN 40-80-M16-125-A0-U	80	M 16	125	-	3	-	-	-	18	12	8	300
GN 40-80-M16-125-A1-U	80	M 16	125	-	3	-	-	2	18	12	8	331
GN 40-80-M16-125-B0-U	80	M 16	125	8.6	3	-	64	-	18	12	8	282
GN 40-80-M16-125-D3-U	80	M 16	125	-	3	5	-	-	18	12	8	340
GN 40-80-M16-150-A0-U	80	M 16	150	-	3	-	-	-	18	12	8	248
GN 40-80-M16-150-A1-U	80	M 16	150	-	3	-	-	2	18	12	8	380
GN 40-80-M16-150-B0-U	80	M 16	150	8.6	3	-	64	-	18	12	8	314
GN 40-80-M16-150-D3-U	80	M 16	150	-	3	5	-	-	18	12	8	380
GN 40-80-M16-200-A0-U	80	M 16	200	-	3	-	-	-	18	12	8	414
GN 40-80-M16-200-A1-U	80	M 16	200	-	3	-	-	2	18	12	8	400
GN 40-80-M16-200-B0-U	80	M 16	200	8.6	3	-	64	-	18	12	8	374
GN 40-80-M16-200-D3-U	80	M 16	200	-	3	5	-	-	18	12	8	440
GN 40-80-M20-75-A0-U	80	M 20	75	-	3	-	-	-	18	15	10	347
GN 40-80-M20-75-A1-U	80	M 20	75	-	3	-	-	2	18	15	10	360
GN 40-80-M20-75-B0-U	80	M 20	75	8.6	3	-	64	-	18	15	10	276
GN 40-80-M20-75-D3-U	80	M 20	75	-	3	5	-	-	18	15	10	360
GN 40-80-M20-100-A0-U	80	M 20	100	-	3	-	-	-	18	15	10	397
GN 40-80-M20-100-A1-U	80	M 20	100	-	3	-	-	2	18	15	10	400
GN 40-80-M20-100-B0-U	80	M 20	100	8.6	3	-	64	-	18	15	10	326
GN 40-80-M20-100-D3-U	80	M 20	100	-	3	5	-	-	18	15	10	420
GN 40-80-M20-125-A0-U	80	M 20	125	-	3	-	-	-	18	15	10	450
GN 40-80-M20-125-A1-U	80	M 20	125	-	3	-	-	2	18	15	10	459
GN 40-80-M20-125-B0-U	80	M 20	125	8.6	3	-	64	-	18	15	10	376
GN 40-80-M20-125-D3-U	80	M 20	125	-	3	5	-	-	18	15	10	410
GN 40-80-M20-150-A0-U	80	M 20	150	-	3	-	-	-	18	15	10	494
GN 40-80-M20-150-A1-U	80	M 20	150	-	3	-	-	2	18	15	10	420
GN 40-80-M20-150-B0-U	80	M 20	150	8.6	3	-	64	-	18	15	10	425
GN 40-80-M20-150-D3-U	80	M 20	150	-	3	5	-	-	18	15	10	520
GN 40-80-M20-200-A0-U	80	M 20	200	-	3	-	-	-	18	15	10	595
GN 40-80-M20-200-A1-U	80	M 20	200	-	3	-	-	2	18	15	10	620
GN 40-80-M20-200-B0-U	80	M 20	200	8.6	3	-	64	-	18	15	10	516
GN 40-80-M20-200-D3-U	80	M 20	200	-	3	5	-	-	18	15	10	600
GN 40-80-M24-100-A0-U	80	M 24	100	-	3	-	-	-	21	19	12	542
GN 40-80-M24-100-A1-U	80	M 24	100	-	3	-	-	2	21	19	12	560
GN 40-80-M24-100-B0-U	80	M 24	100	8.6	3	-	64	-	21	19	12	429
GN 40-80-M24-100-D3-U	80	M 24	100	-	3	5	-	-	21	19	12	450
GN 40-80-M24-125-A0-U	80	M 24	125	-	3	-	-	-	21	19	12	612
GN 40-80-M24-125-A1-U	80	M 24	125	-	3	-	-	2	21	19	12	620
GN 40-80-M24-125-B0-U	80	M 24	125	8.6	3	-	64	-	21	19	12	501
GN 40-80-M24-125-D3-U	80	M 24	125	-	3	5	-	-	21	19	12	600
GN 40-80-M24-150-A0-U	80	M 24	150	-	3	-	-	-	21	19	12	685
GN 40-80-M24-150-A1-U	80	M 24	150	-	3	-	-	2	21	19	12	650
GN 40-80-M24-150-B0-U	80	M 24	150	8.6	3	-	64	-	21	19	12	573
GN 40-80-M24-150-D3-U	80	M 24	150	-	3	5	-	-	21	19	12	680
GN 40-80-M24-200-A0-U	80	M 24	200	-	3	-	-	-	21	19	12	820
GN 40-80-M24-200-A1-U	80	M 24	200	-	3	-	-	2	21	19	12	150
GN 40-80-M24-200-B0-U	80	M 24	200	8.6	3	-	64	-	21	19	12	711
GN 40-80-M24-200-D3-U	80	M 24	200	-	3	5	-	-	21	19	12	850
GN 40-40-M16-75-A0-UK	40	M 16	75	-	2	-	-	-	17	12	8	153
GN 40-40-M16-75-A1-UK	40	M 16	75	-	2	-	-	1.5	17	12	8	164
GN 40-40-M16-75-D3-UK	40	M 16	75	-	2	3.5	-	-	17	12	8	160
GN 40-40-M16-100-A0-UK	40	M 16	100	-	2	-	-	-	17	12	8	192
GN 40-40-M16-100-A1-UK	40	M 16	100	-	2	-	-	1.5	17	12	8	180
GN 40-40-M16-100-D3-UK	40	M 16	100	-	2	3.5	-	-	17	12	8	150
GN 40-40-M16-125-A0-UK	40	M 16	125	-	2	-	-	-	17	12	8	215
GN 40-40-M16-125-A1-UK	40	M 16	125	-	2	-	-	1.5	17	12	8	220
GN 40-40-M16-125-D3-UK	40	M 16	125	-	2	3.5	-	-	17	12	8	220
GN 40-40-M16-150-A0-UK	40	M 16	150	-	2	-	-	-	17	12	8	251
GN 40-40-M16-150-A1-UK	40	M 16	150	-	2	-	-	1.5	17	12	8	254
GN 40-40-M16-150-D3-UK	40	M 16	150	-	2	3.5	-	-	17	12	8	260
GN 40-40-M16-200-A0-UK	40	M 16	200	-	2	-	-	-	17	12	8	320
GN 40-40-M16-200-A1-UK	40	M 16	200	-	2	-	-	1.5	17	12	8	300
GN 40-40-M16-200-D3-UK	40	M 16	200	-	2	3.5	-	-	17	12	8	320
GN 40-50-M16-75-A0-UK	50	M 16	75	-	2.5	-	-	-	17	12	8	176
GN 40-50-M16-75-A1-UK	50	M 16	75	-	2.5	-	-	2	17	12	8	177
GN 40-50-M16-75-B0-UK	50	M 16	75	6.6	2.5	-	38	-	17	12	8	169
GN 40-50-M16-75-D3-UK	50	M 16	75	-	2.5	4	-	-	17	12	8	178
GN 40-50-M16-100-A0-UK	50	M 16	100	-	2.5	-	-	-	17	12	8	205
GN 40-50-M16-100-A1-UK	50	M 16	100	-	2.5	-	-	2	17	12	8	213
GN 40-50-M16-100-B0-UK	50	M 16	100	6.6	2.5	-	38	-	17	12	8	201
GN 40-50-M16-100-D3-UK	50	M 16	100	-	2.5	4	-	-	17	12	8	220
GN 40-50-M16-125-A0-UK	50	M 16	125	-	2.5	-	-	-	17	12	8	243
GN 40-50-M16-125-A1-UK	50	M 16	125	-	2.5	-	-	2	17	12	8	241
GN 40-50-M16-125-B0-UK	50	M 16	125	6.6	2.5	-	38	-	17	12	8	233
GN 40-50-M16-125-D3-UK	50	M 16	125	-	2.5	4	-	-	17	12	8	250
GN 40-50-M16-150-A0-UK	50	M 16	150	-	2.5	-	-	-	17	12	8	268
GN 40-50-M16-150-A1-UK	50	M 16	150	-	2.5	-	-	2	17	12	8	280
GN 40-50-M16-150-B0-UK	50	M 16	150	6.6	2.5	-	38	-	17	12	8	265
GN 40-50-M16-150-D3-UK	50	M 16	150	-	2.5	4	-	-	17	12	8	280
GN 40-50-M16-200-A0-UK	50	M 16	200	-	2.5	-	-	-	17	12	8	331
GN 40-50-M16-200-A1-UK	50	M 16	200	-	2.5	-	-	2	17	12	8	340

GN 40-50-M16-200-B0-UK	50	M 16	200	6.6	2.5	-	38	-	17	12	8	325
GN 40-50-M16-200-D3-UK	50	M 16	200	-	2.5	4	-	-	17	12	8	150
GN 40-60-M16-75-A0-UK	60	M 16	75	-	2.5	-	-	-	17	12	8	192
GN 40-60-M16-75-A1-UK	60	M 16	75	-	2.5	-	-	2	17	12	8	200
GN 40-60-M16-75-B0-UK	60	M 16	75	6.6	2.5	-	48	-	17	12	8	186
GN 40-60-M16-75-D3-UK	60	M 16	75	-	2.5	4.5	-	-	17	12	8	200
GN 40-60-M16-100-A0-UK	60	M 16	100	-	2.5	-	-	-	17	12	8	225
GN 40-60-M16-100-A1-UK	60	M 16	100	-	2.5	-	-	2	17	12	8	220
GN 40-60-M16-100-B0-UK	60	M 16	100	6.6	2.5	-	48	-	17	12	8	218
GN 40-60-M16-100-D3-UK	60	M 16	100	-	2.5	4.5	-	-	17	12	8	240
GN 40-60-M16-125-A0-UK	60	M 16	125	-	2.5	-	-	-	17	12	8	259
GN 40-60-M16-125-A1-UK	60	M 16	125	-	2.5	-	-	2	17	12	8	260
GN 40-60-M16-125-B0-UK	60	M 16	125	6.6	2.5	-	48	-	17	12	8	250
GN 40-60-M16-125-D3-UK	60	M 16	125	-	2.5	4.5	-	-	17	12	8	250
GN 40-60-M16-150-A0-UK	60	M 16	150	-	2.5	-	-	-	17	12	8	283
GN 40-60-M16-150-A1-UK	60	M 16	150	-	2.5	-	-	2	17	12	8	280
GN 40-60-M16-150-B0-UK	60	M 16	150	6.6	2.5	-	48	-	17	12	8	282
GN 40-60-M16-150-D3-UK	60	M 16	150	-	2.5	4.5	-	-	17	12	8	300
GN 40-60-M16-200-A0-UK	60	M 16	200	-	2.5	-	-	-	17	12	8	348
GN 40-60-M16-200-A1-UK	60	M 16	200	-	2.5	-	-	2	17	12	8	360
GN 40-60-M16-200-B0-UK	60	M 16	200	6.6	2.5	-	48	-	17	12	8	342
GN 40-60-M16-200-D3-UK	60	M 16	200	-	2.5	4.5	-	-	17	12	8	360
GN 40-80-M16-75-A0-UK	80	M 16	75	-	3	-	-	-	18	12	8	252
GN 40-80-M16-75-A1-UK	80	M 16	75	-	3	-	-	2	18	12	8	270
GN 40-80-M16-75-B0-UK	80	M 16	75	8.6	3	-	64	-	18	12	8	247
GN 40-80-M16-75-D3-UK	80	M 16	75	-	3	5	-	-	18	12	8	280
GN 40-80-M16-100-A0-UK	80	M 16	100	-	3	-	-	-	18	12	8	285
GN 40-80-M16-100-A1-UK	80	M 16	100	-	3	-	-	2	18	12	8	300
GN 40-80-M16-100-B0-UK	80	M 16	100	8.6	3	-	64	-	18	12	8	279
GN 40-80-M16-100-D3-UK	80	M 16	100	-	3	5	-	-	18	12	8	320
GN 40-80-M16-125-A0-UK	80	M 16	125	-	3	-	-	-	18	12	8	319
GN 40-80-M16-125-A1-UK	80	M 16	125	-	3	-	-	2	18	12	8	331
GN 40-80-M16-125-B0-UK	80	M 16	125	8.6	3	-	64	-	18	12	8	320
GN 40-80-M16-125-D3-UK	80	M 16	125	-	3	5	-	-	18	12	8	340
GN 40-80-M16-150-A0-UK	80	M 16	150	-	3	-	-	-	18	12	8	360
GN 40-80-M16-150-A1-UK	80	M 16	150	-	3	-	-	2	18	12	8	380
GN 40-80-M16-150-B0-UK	80	M 16	150	8.6	3	-	64	-	18	12	8	343
GN 40-80-M16-150-D3-UK	80	M 16	150	-	3	5	-	-	18	12	8	380
GN 40-80-M16-200-A0-UK	80	M 16	200	-	3	-	-	-	18	12	8	414
GN 40-80-M16-200-A1-UK	80	M 16	200	-	3	-	-	2	18	12	8	400
GN 40-80-M16-200-B0-UK	80	M 16	200	8.6	3	-	64	-	18	12	8	403
GN 40-80-M16-200-D3-UK	80	M 16	200	-	3	5	-	-	18	12	8	440
GN 40-80-M20-75-A0-UK	80	M 20	75	-	3	-	-	-	18	15	10	347
GN 40-80-M20-75-A1-UK	80	M 20	75	-	3	-	-	2	18	15	10	360
GN 40-80-M20-75-B0-UK	80	M 20	75	8.6	3	-	64	-	18	15	10	340
GN 40-80-M20-75-D3-UK	80	M 20	75	-	3	5	-	-	18	15	10	360
GN 40-80-M20-100-A0-UK	80	M 20	100	-	3	-	-	-	18	15	10	397
GN 40-80-M20-100-A1-UK	80	M 20	100	-	3	-	-	2	18	15	10	400
GN 40-80-M20-100-B0-UK	80	M 20	100	8.6	3	-	64	-	18	15	10	390
GN 40-80-M20-100-D3-UK	80	M 20	100	-	3	5	-	-	18	15	10	420
GN 40-80-M20-125-A0-UK	80	M 20	125	-	3	-	-	-	18	15	10	530
GN 40-80-M20-125-A1-UK	80	M 20	125	-	3	-	-	2	18	15	10	459
GN 40-80-M20-125-B0-UK	80	M 20	125	8.6	3	-	64	-	18	15	10	440
GN 40-80-M20-125-D3-UK	80	M 20	125	-	3	5	-	-	18	15	10	410
GN 40-80-M20-150-A0-UK	80	M 20	150	-	3	-	-	-	18	15	10	494
GN 40-80-M20-150-A1-UK	80	M 20	150	-	3	-	-	2	18	15	10	420
GN 40-80-M20-150-B0-UK	80	M 20	150	8.6	3	-	64	-	18	15	10	489
GN 40-80-M20-150-D3-UK	80	M 20	150	-	3	5	-	-	18	15	10	520
GN 40-80-M20-200-A0-UK	80	M 20	200	-	3	-	-	-	18	15	10	595
GN 40-80-M20-200-A1-UK	80	M 20	200	-	3	-	-	2	18	15	10	620
GN 40-80-M20-200-B0-UK	80	M 20	200	8.6	3	-	64	-	18	15	10	580
GN 40-80-M20-200-D3-UK	80	M 20	200	-	3	5	-	-	18	15	10	600
GN 40-80-M24-100-A0-UK	80	M 24	100	-	3	-	-	-	21	19	12	542
GN 40-80-M24-100-A1-UK	80	M 24	100	-	3	-	-	2	21	19	12	560
GN 40-80-M24-100-B0-UK	80	M 24	100	8.6	3	-	64	-	21	19	12	534
GN 40-80-M24-100-D3-UK	80	M 24	100	-	3	5	-	-	21	19	12	450
GN 40-80-M24-125-A0-UK	80	M 24	125	-	3	-	-	-	21	19	12	612
GN 40-80-M24-125-A1-UK	80	M 24	125	-	3	-	-	2	21	19	12	620
GN 40-80-M24-125-B0-UK	80	M 24	125	8.6	3	-	64	-	21	19	12	606
GN 40-80-M24-125-D3-UK	80	M 24	125	-	3	5	-	-	21	19	12	600
GN 40-80-M24-150-A0-UK	80	M 24	150	-	3	-	-	-	21	19	12	685
GN 40-80-M24-150-A1-UK	80	M 24	150	-	3	-	-	2	21	19	12	700
GN 40-80-M24-150-B0-UK	80	M 24	150	8.6	3	-	64	-	21	19	12	678
GN 40-80-M24-150-D3-UK	80	M 24	150	-	3	5	-	-	21	19	12	680
GN 40-80-M24-200-A0-UK	80	M 24	200	-	3	-	-	-	21	19	12	820
GN 40-80-M24-200-A1-UK	80	M 24	200	-	3	-	-	2	21	19	12	150
GN 40-80-M24-200-B0-UK	80	M 24	200	8.6	3	-	64	-	21	19	12	816
GN 40-80-M24-200-D3-UK	80	M 24	200	-	3	5	-	-	21	19	12	850



Description	d_1	d_2	l_7	d_3	h_1	h_2	m_2	s	A/F 7	t	Weight
GN 40-40-M8-25-A0-X	40	M 8	25	-	2	-	-	-	14	8	50
GN 40-40-M8-25-A1-X	40	M 8	25	-	2	-	-	1.5	14	8	50
GN 40-40-M8-25-B0-X	40	M 8	25	5.4	2	3.5	30	-	14	8	63
GN 40-40-M8-25-D3-X	40	M 8	25	-	2	-	-	-	14	8	91
GN 40-40-M10-28-A0-X	40	M 10	28	-	2	-	-	-	14	10	40
GN 40-40-M10-28-A1-X	40	M 10	28	-	2	-	-	1.5	14	10	50
GN 40-40-M10-28-B0-X	40	M 10	28	5.4	2	3.5	30	-	14	10	61
GN 40-40-M10-28-D3-X	40	M 10	28	-	2	-	-	-	14	10	50
GN 40-40-M12-31-A0-X	40	M 12	31	-	2	-	-	-	17	12	68
GN 40-40-M12-31-A1-X	40	M 12	31	-	2	-	-	1.5	17	12	80
GN 40-40-M12-31-B0-X	40	M 12	31	5.4	2	3.5	30	-	17	12	77
GN 40-40-M12-31-D3-X	40	M 12	31	-	2	-	-	-	17	12	91
GN 40-40-M16-37-A0-X	40	M 16	37	-	2	-	-	-	22	16	91
GN 40-40-M16-37-A1-X	40	M 16	37	-	2	-	-	1.5	22	16	91
GN 40-40-M16-37-D3-X	40	M 16	37	-	2	-	-	-	22	16	91
GN 40-50-M8-25-A0-X	50	M 8	25	-	2.5	-	-	-	14	8	91
GN 40-50-M8-25-A1-X	50	M 8	25	-	2.5	-	-	2	14	8	91
GN 40-50-M8-25-B0-X	50	M 8	25	6.6	2.5	4	38	-	14	8	81
GN 40-50-M8-25-D3-X	50	M 8	25	-	2.5	-	-	-	14	8	91
GN 40-50-M10-28-A0-X	50	M 10	28	-	2.5	-	-	-	14	10	91
GN 40-50-M10-28-A1-X	50	M 10	28	-	2.5	-	-	2	14	10	91
GN 40-50-M10-28-B0-X	50	M 10	28	6.6	2.5	4	38	-	14	10	79
GN 40-50-M10-28-D3-X	50	M 10	28	-	2.5	-	-	-	14	10	91
GN 40-50-M12-32-A0-X	50	M 12	32	-	2.5	-	-	-	17	12	91
GN 40-50-M12-32-A1-X	50	M 12	32	-	2.5	-	-	2	17	12	91
GN 40-50-M12-32-B0-X	50	M 12	32	6.6	2.5	4	38	-	17	12	95
GN 40-50-M12-32-D3-X	50	M 12	32	-	2.5	-	-	-	17	12	91
GN 40-50-M16-37-A0-X	50	M 16	37	-	2.5	-	-	-	22	16	91
GN 40-50-M16-37-A1-X	50	M 16	37	-	2.5	-	-	2	22	16	91
GN 40-50-M16-37-B0-X	50	M 16	37	6.6	2.5	4	38	-	22	16	111
GN 40-50-M16-37-D3-X	50	M 16	37	-	2.5	-	-	-	22	16	91
GN 40-60-M8-25-A0-X	60	M 8	25	-	2.5	-	-	-	14	8	91
GN 40-60-M8-25-A1-X	60	M 8	25	-	2.5	-	-	2	14	8	91
GN 40-60-M8-25-B0-X	60	M 8	25	6.6	2.5	4.5	48	-	14	8	98
GN 40-60-M8-25-D3-X	60	M 8	25	-	2.5	-	-	-	14	8	91
GN 40-60-M10-28-A0-X	60	M 10	28	-	2.5	-	-	-	14	10	91
GN 40-60-M10-28-A1-X	60	M 10	28	-	2.5	-	-	2	14	10	91
GN 40-60-M10-28-B0-X	60	M 10	28	6.6	2.5	4.5	48	-	14	10	96
GN 40-60-M10-28-D3-X	60	M 10	28	-	2.5	-	-	-	14	10	91
GN 40-60-M12-32-A0-X	60	M 12	32	-	2.5	-	-	-	17	12	91
GN 40-60-M12-32-A1-X	60	M 12	32	-	2.5	-	-	2	17	12	91
GN 40-60-M12-32-B0-X	60	M 12	32	6.6	2.5	4.5	48	-	17	12	111
GN 40-60-M12-32-D3-X	60	M 12	32	-	2.5	-	-	-	17	12	91
GN 40-60-M16-37-A0-X	60	M 16	37	-	2.5	-	-	-	22	16	91
GN 40-60-M16-37-A1-X	60	M 16	37	-	2.5	-	-	2	22	16	140
GN 40-60-M16-37-B0-X	60	M 16	37	6.6	2.5	4.5	48	-	22	16	128
GN 40-60-M16-37-D3-X	60	M 16	37	-	2.5	-	-	-	22	16	91
GN 40-80-M8-26-A0-X	80	M 8	26	-	3	-	-	-	14	8	91
GN 40-80-M8-26-A1-X	80	M 8	26	-	3	-	-	2	14	8	91
GN 40-80-M8-26-B0-X	80	M 8	26	8.6	3	5	64	-	14	8	158
GN 40-80-M8-26-D3-X	80	M 8	26	-	3	-	-	-	14	8	91
GN 40-80-M10-29-A0-X	80	M 10	29	-	3	-	-	-	14	10	99
GN 40-80-M10-29-A1-X	80	M 10	29	-	3	-	-	2	14	10	91
GN 40-80-M10-29-B0-X	80	M 10	29	8.6	3	5	64	-	14	10	156
GN 40-80-M10-29-D3-X	80	M 10	29	-	3	-	-	-	14	10	170
GN 40-80-M12-32-A0-X	80	M 12	32	-	3	-	-	-	17	12	91
GN 40-80-M12-32-A1-X	80	M 12	32	-	3	-	-	2	17	12	91

GN 40-80-M12-32-B0-X	80	M 12	32	8.6	3	5	64	-	17	12	172
GN 40-80-M12-32-D3-X	80	M 12	32	-	3	-	-	-	17	12	191
GN 40-80-M16-38-A0-X	80	M 16	38	-	3	-	-	-	22	16	91
GN 40-80-M16-38-A1-X	80	M 16	38	-	3	-	-	2	22	16	91
GN 40-80-M16-38-B0-X	80	M 16	38	8.6	3	5	64	-	22	16	189
GN 40-80-M16-38-D3-X	80	M 16	38	-	3	-	-	-	22	16	220
GN 40-80-M20-45-A0-X	80	M 20	45	-	3	-	-	-	27	20	91
GN 40-80-M20-45-A1-X	80	M 20	45	-	3	-	-	2	27	20	91
GN 40-80-M20-45-B0-X	80	M 20	45	8.6	3	5	64	-	27	20	251
GN 40-80-M20-45-D3-X	80	M 20	45	-	3	-	-	-	27	20	91

X-ON Electronics

Largest Supplier of Electrical and Electronic Components

Click to view similar products for [Mounting Fixings](#) category:

Click to view products by [Elesa & Ganter](#) manufacturer:

Other Similar products are found below :

[5912235-2](#) [007310](#) [007541](#) [6-141-P](#) [620HA038NF09](#) [620HA038NF11](#) [CTJ420E028-513](#) [M81714/60-12-01](#) [M81714/60-22-01](#) [L/C](#)
[MA1EAF1200](#) [70-584649-01P](#) [71-074914-006](#) [71-215091-8S](#) [712HA170B23128-N](#) [71-344699-4S](#) [71-441549-19S](#) [71-441864-5S](#) [71-](#)
[490451-4H](#) [EX-13-3-B-16-325PN](#) [75-69116-8S](#) [75-69211-3P](#) [75-69220-27S](#) [75-69224-5S](#) [75-69614-2S](#) [770-006A109](#) [770-006A109R](#) [770-](#)
[006A207](#) [770-006A208W1](#) [770-006A209](#) [770-006A306](#) [770-006A703W1](#) [770-006A704](#) [770-006A704W1](#) [770-006A705](#) [770-006A706](#)
[770-006A706W1](#) [770-006A707](#) [770-006A709](#) [770-007A203](#) [770-007A203W1](#) [770-007A204W1](#) [770-007A207W1](#) [770-007A703](#) [770-](#)
[007A704W1](#) [770-007A706](#) [770-007A707W1](#) [770-010Y208](#) [770-010Y308](#) [770-010Y705](#) [770-010Y706](#)