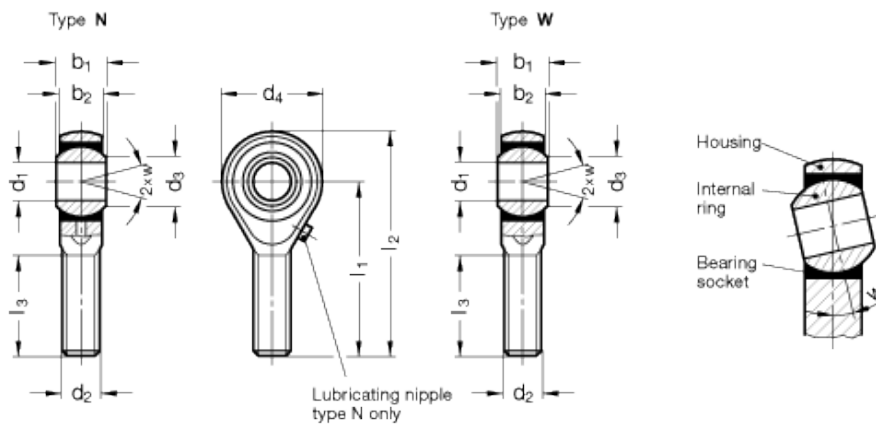


# GN 648.2

Ball joints with threaded stud



technical informations

## Housing

Zinc-plated steel, blue passivated.

## Internal ring

Hardened, ground and polished steel.

## Bearing socket

- Version N (lubrication possible): brass.
- Version W (self lubricated): zinc-plated steel with PTFE-insert.

*Other standard executions available*

Ball joints DIN ISO 12240-0, series E (narrow model) on request.

*Features and applications*

Ball joints GN 648.2 are similar to DIN ISO 12240-4, series K (formerly DIN 648 K).

Standard Elements	Main dimensions									Movement Angle	Weight
Description	d <sub>1 H7</sub>	d <sub>2</sub>	b <sub>1 -0.12</sub>	b <sub>2</sub>	d <sub>3</sub>	d <sub>4</sub>	l <sub>1</sub>	l <sub>2</sub>	l <sub>3</sub>	w	g
GN 648.2-6-M6-N	6	M6	9	6.75	8.9	20	36	46	22	13	15
GN 648.2-6-M6L-N	6	M6L	9	6.75	8.9	20	36	48	22	13	20
GN 648.2-8-M8-N	8	M8	12	9	10.4	24	42	54	25	14	40
GN 648.2-8-M8L-N	8	M8L	12	9	10.4	24	42	54	25	14	40
GN 648.2-10-M10-N	10	M10	14	10.5	12.9	28	48	62	29	13	60
GN 648.2-10-M10L-N	10	M10L	14	10.5	12.9	28	48	62	29	13	60
GN 648.2-12-M12-N	12	M12	16	12	15.4	32	54	70	33	13	95
GN 648.2-12-M12L-N	12	M12L	16	12	15.4	32	54	70	33	13	95
GN 648.2-14-M14-N	14	M14	19	13.5	16.8	36	60	78	38	16	140
GN 648.2-14-M14L-N	14	M14L	19	13.5	16.8	36	60	78	38	16	145
GN 648.2-16-M16-N	16	M16	21	15	19.3	42	66	87	40	15	205
GN 648.2-16-M16L-N	16	M16L	21	15	19.3	42	66	87	40	15	205
GN 648.2-18-M18x1.5-N	18	M18x1.5	23	16.5	21.8	46	72	95	44	15	275
GN 648.2-18-M18x1.5L-N	18	M18x1.5L	23	16.5	21.8	46	72	95	44	15	290
GN 648.2-20-M20x1.5-N	20	M20x1.5	25	17	24.3	50	78	103	47	14	355
GN 648.2-20-M20x1.5L-N	20	M20x1.5	25	17	24.3	50	78	103	47	14	375
GN 648.2-22-M22x1.5-N	22	M22x1.5	28	20	25.8	54	84	111	51	15	470
GN 648.2-22-M22x1.5L-N	22	M22x1.5L	28	20	25.8	54	84	111	51	15	475
GN 648.2-25-M24x2-N	25	M24x2	31	22	29.6	60	94	124	38	15	615
GN 648.2-25-M24x2L-N	25	M24x2L	31	22	29.6	60	94	124	38	15	620
GN 648.2-5-M5-W*	5	M5	8	6	7.7	18	33	42	20	13	14
GN 648.2-5-M5L-W*	5	M5L	8	6	7.7	18	33	42	20	13	15
GN 648.2-6-M6-W	6	M6	9	6.75	8.9	20	36	46	22	13	20
GN 648.2-6-M6L-W	6	M6L	9	6.75	8.9	20	36	46	22	13	20
GN 648.2-8-M8-W	8	M8	12	9	10.4	24	42	54	25	14	40
GN 648.2-8-M8L-W	8	M8L	12	9	10.4	24	42	54	25	14	35
GN 648.2-10-M10-W	10	M10	14	10.5	12.9	28	48	62	29	13	60
GN 648.2-10-M10L-W	10	M10L	14	10.5	12.9	28	48	62	29	13	60
GN 648.2-12-M12-W	12	M12	16	12	15.4	32	54	70	33	13	90
GN 648.2-12-M12L-W	12	M12L	16	12	15.4	32	54	70	33	13	90
GN 648.2-14-M14-W	14	M14	19	13.5	16.8	36	60	78	38	16	130
GN 648.2-14-M14L-W	14	M14L	19	13.5	16.8	36	60	78	38	16	135
GN 648.2-16-M16-W	16	M16	21	15	19.3	42	66	87	40	15	200
GN 648.2-16-M16L-W	16	M16L	21	15	19.3	42	66	87	40	15	205

GN 648.2-18-M18x1.5-W	18	M18x1.5	23	16.5	21.8	46	72	95	44	15	270
GN 648.2-18-M18-1.5L-W	18	M18x1.5L	23	16.5	21.8	46	72	95	44	15	270
GN 648.2-20-M20x1.5-W	20	M20x1.5	25	18	24.3	50	78	103	47	14	355
GN 648.2-20-M20x1.5L-W	20	M20x1.5L	25	18	24.3	50	78	103	47	14	355
GN 648.2-22-M22x1.5-W	22	M22x1.5	28	20	25.8	54	84	111	51	15	455
GN 648.2-22-M22x1.5L-W	22	M22x1.5L	28	20	25.8	54	84	111	51	15	460
GN 648.2-25-M24x2-W	25	M24x2	31	22	29.6	60	94	124	58	15	605
GN 648.2-25-M24x2L-W	25	M24x2L	31	22	29.6	60	94	124	58	15	610
GN 648.2-30-M30x2-W	30	M30x2	37	25	34.8	70	110	145	71	17	1020
GN 648.2-30-M30x2L-W	30	M30x2L	37	25	34.8	70	110	145	71	17	1050



STANDARD MACHINE ELEMENTS WORLDWIDE

## X-ON Electronics

Largest Supplier of Electrical and Electronic Components

*Click to view similar products for [Mounting Fixings](#) category:*

*Click to view products by [Elesa & Ganter](#) manufacturer:*

Other Similar products are found below :

[5912235-2](#) [007310](#) [007541](#) [6-141-P](#) [620HA038NF09](#) [620HA038NF11](#) [CTJ420E028-513](#) [M81714/60-12-01](#) [M81714/60-22-01](#) [L/C](#)  
[MA1EAF1200](#) [70-584649-01P](#) [71-074914-006](#) [71-215091-8S](#) [712HA170B23128-N](#) [71-344699-4S](#) [71-441549-19S](#) [71-441864-5S](#) [71-](#)  
[490451-4H](#) [EX-13-3-B-16-325PN](#) [75-69116-8S](#) [75-69211-3P](#) [75-69220-27S](#) [75-69224-5S](#) [75-69614-2S](#) [770-006A109](#) [770-006A109R](#) [770-](#)  
[006A207](#) [770-006A208W1](#) [770-006A209](#) [770-006A306](#) [770-006A703W1](#) [770-006A704](#) [770-006A704W1](#) [770-006A705](#) [770-006A706](#)  
[770-006A706W1](#) [770-006A707](#) [770-006A709](#) [770-007A203](#) [770-007A203W1](#) [770-007A204W1](#) [770-007A207W1](#) [770-007A703](#) [770-](#)  
[007A704W1](#) [770-007A706](#) [770-007A707W1](#) [770-010Y208](#) [770-010Y308](#) [770-010Y705](#) [770-010Y706](#)