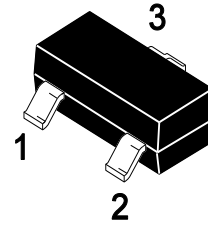


Features

- Programmable output voltage to 36V.
- Low dynamic output impedance.
- Sink current capability of 1.0 to 100mA.
- Low output noise voltage
- Fast turn on response

Programmable Precision Reference

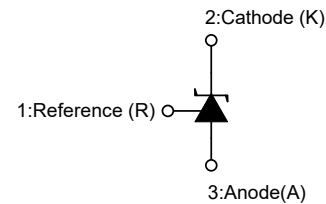
SOT23-3



Marking: GN431G 0.3%: 431G
GN431A 0.5%: 431A

Application

- It provides very wide applications, including shunt regulator, series regulator, switching regulator, voltage reference and others.



Absolute Maximum Ratings (Ta=25°C unless otherwise specified)

Symbol	Parameter	Rating	Units
V _{KA}	Cathode Voltage	37	V
I _{KA}	Cathode Current Range(Continuous)	-100 ~ +150	mA
I _{REF}	Reference Input Current Range	-0.05 ~ +10	mA
P _D	Power Dissipation	350	mW
T _J	Operating Junction	+150	°C
T _{OPR}	Operating Ambient	-40 ~ +85	°C
T _{STG}	Storage Temperature	-65 ~ +150	°C

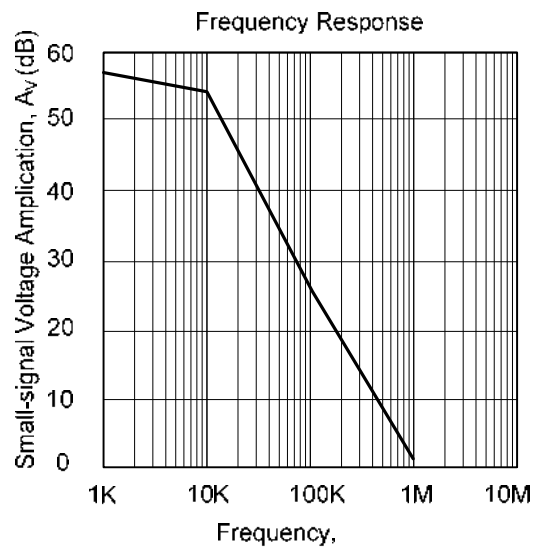
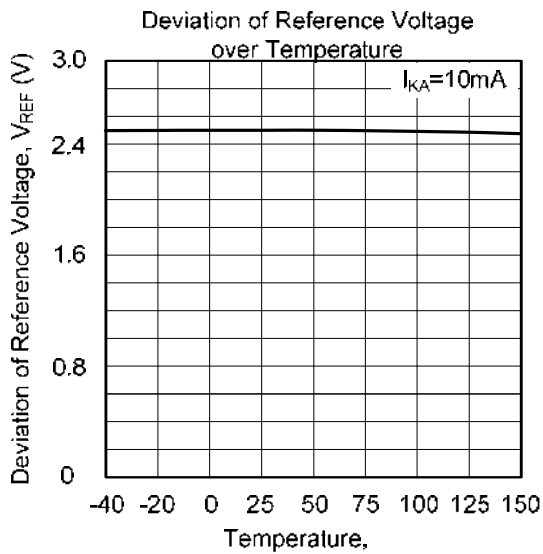
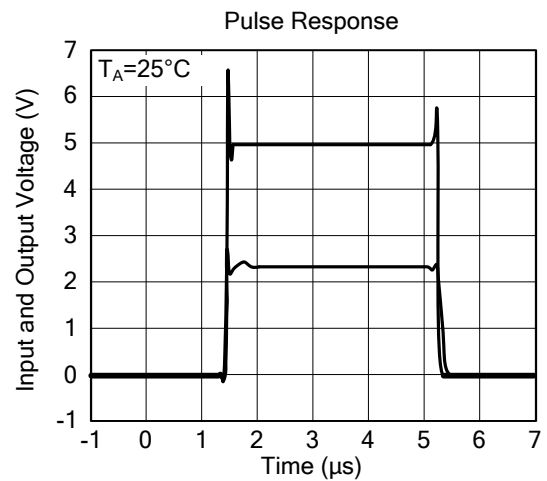
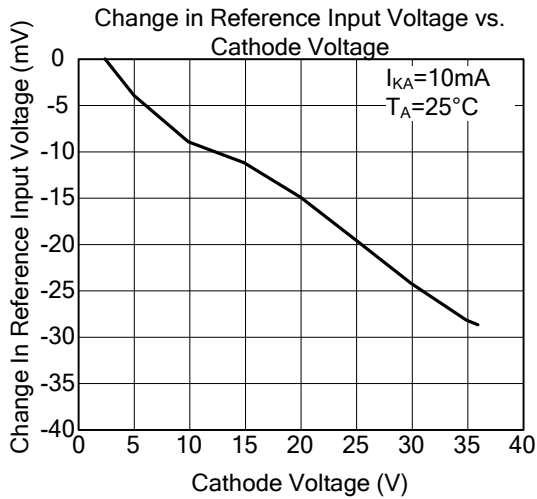
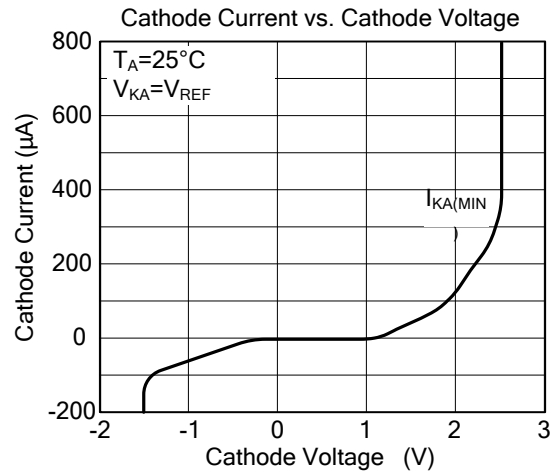
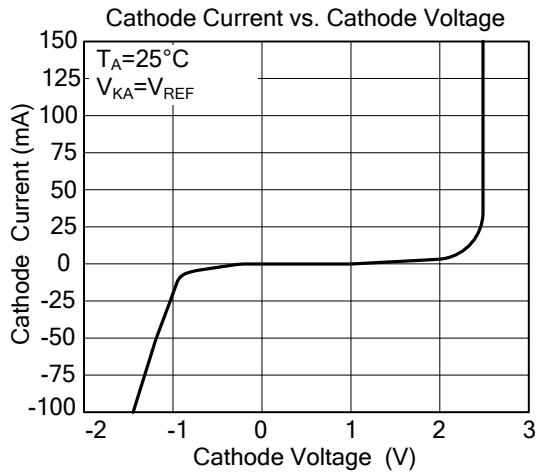
Recommended Operating Conditions

Symbol	Parameter	Min.	Typ.	Max.	Units
V _{KA}	Cathode Voltage	V _{REF}	-	36	V
I _{KA}	Cathode Current	1	-	100	mA

Electrical Characteristics (Ta=25°C unless otherwise specified)

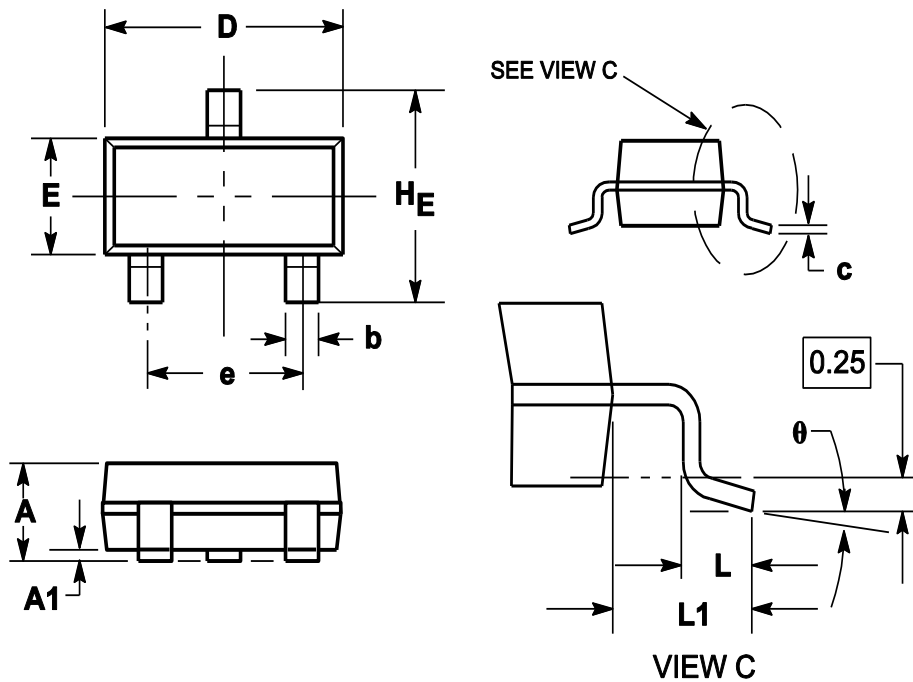
Symbol	Parameter	Test Conditions		Min.	Typ.	Max.	Unit
V _{REF}	Reference Input Voltage	V _{KA} =V _{REF} , I _{KA} =10mA	GN431G	2.44	2.495	2.55	V
			GN431A	2.48	2.495	2.51	V
ΔV _{REF}	Deviation of Reference Input Voltage Over Temperature	V _{KA} =V _{REF} , I _{KA} =10mA, -40°C ≤ T _A ≤ +85°C			4.5	17	mV
$\frac{\Delta V_{REF}}{\Delta V_{KA}}$	Ratio of Change in Reference Input Voltage to the Change in Cathode Voltage	I _{KA} =10mA	ΔV _{KA} =10V~V _{REF}		-1.0	-2.7	mV/V
			ΔV _{KA} =36V~10V		-0.5	-2.0	mV/V
I _{REF}	Reference Input Current	I _{KA} =10mA, R1=10kΩ, R2=∞			1.5	4	μA
ΔI _{REF}	Deviation of Reference Input Current Over Full Temperature Range	I _{KA} =10mA, R1=10kΩ, R2=∞, -25°C ≤ T _A ≤ +85°C			0.4	1.2	μA
I _{KA(MIN)}	Minimum Cathode Current for Regulation	V _{KA} =V _{REF}			0.45	1	mA
I _{KA(OFF)}	Off-State Cathode Current	V _{KA} =36V, V _{REF} =0			0.05	1.0	μA
Z _{KA}	Dynamic Impedance	V _{KA} =V _{REF} , I _{KA} =1~100mA, f≤1.0kHz			0.15	0.5	Ω

Typical Characteristic Curves

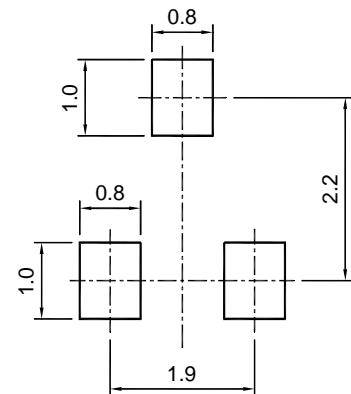


Package Outline

SOT-23



Symbol	Dimensions in millimeter		
	Min.	Typ.	Max.
A	0.900	1.025	1.150
A1	0.000	0.050	0.100
b	0.300	0.400	0.500
c	0.080	0.115	0.150
D	2.800	2.900	3.000
E	1.200	1.300	1.400
HE	2.250	2.400	2.550
e	1.800	1.900	2.000
L1	0.550REF		
L	0.300		0.500
θ	0°		8°



SOT-23 (TO-236)

Recommended soldering pad

Ordering Information

Device	Package	Shipping
GN431G/GN431A	SOT-23	3000PCS/Reel&Tape

X-ON Electronics

Largest Supplier of Electrical and Electronic Components

Click to view similar products for [Voltage References](#) category:

Click to view products by [GN Semic](#) manufacturer:

Other Similar products are found below :

[5962-8686103XC](#) [NCV431BVDMR2G](#) [REF01J/883](#) [SC431ILPRAG](#) [AP432AQG-7](#) [LM4040B25QFTA](#) [TL431BL3T](#) [BR431M](#)
[MC1403BM/TR](#) [HT431BRZ](#) [ME4315AM6G-2](#) [ME4315AM6G-1](#) [TL431A-YK](#) [TL431](#) [TL431-1](#) [TL431](#) [TL431S](#) [TL431](#) [XC6206P332MR](#)
[HT431CRZ](#) [LM285M-1.2/TR](#) [S-LR431AKLT1G](#) [LR431AKLT1G](#) [TL431ACZ](#) [ME431ATBG](#) [LM385Z-2.5](#) [LTL432ATLT1G](#) [LM336Z-2.5](#)
[TL431](#) [TP431CS3-1](#) [CBM809MST3](#) [LTL431APSLT1G](#) [TP431CS3](#) [TL432](#) [TPR3530-S3TR](#) [GN431G 0.3%](#) [TL431ACZ](#) [KA431SLMF2TF](#)
[KA431SMF2TF](#) [KA431SMFTF](#) [LM4040QCEM3-3.0/NOPB](#) [LM4041C12ILPR](#) [LM4050AIM3X-5.0/NOPB](#) [LM4120AIM5-2.5/NOP](#)
[LM431SCCMFX](#) [ZXRE250BSA-7](#) [ZXRE125DN8TA](#) [TS3330AQPR](#) [ZXRE250ASA-7](#) [ZTL431ASE5TA](#)