

Description

The GC11N70 uses advanced super junction technology and design to provide excellent $R_{DS(ON)}$ and low gate charge. This device is suitable for industry AC-DC SMPS requirement of PFC, AC/DC power conversion, and other industrial power application.

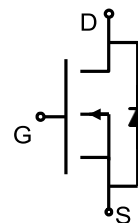
General Features

- New technology for high voltage device
- Low on-resistance and low conduction losses
- Small Package
- Ultra Low Gate Charge cause lower driving requirement
- 100% Avalanche Tested
- RoHS Compliant

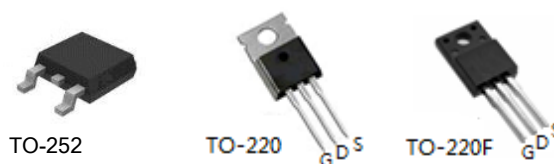
Application

- Power Factor Correction (PFC)
- Switched Mode Power Supply (SMPS)
- Uninterruptible Power Supply (UPS)

V_{DS}	$R_{DS(ON)}$ @ 10V (max)	I_D
700V	395m Ω	11A



Schematic Diagram



Marking and Pin Assignment

Ordering Information

Part Number	Marking	Case	Packaging
GC11N70K	GC11N70	TO-252	25000pcs/Reel
GC11N70T	GC11N70	TO-220	50pcs/Tube
GC11N70F	GC11N70	TO-220F	50pcs/Tube

Absolute Maximum Ratings ($T_C=25^\circ\text{C}$ unless otherwise noted)

Parameter	Symbol	Value		Unit
		TO-252 TO-220	TO-220F	
Drain-Source Voltage	V_{DS}	700		V
Gate-Source Voltage	V_{GS}	± 30		V
Drain Current-Continuous ($T_C=25^\circ\text{C}$)	I_D	11		A
Drain Current-Continuous ($T_C=100^\circ\text{C}$)	I_D	6.6		A
Drain Current-Pulsed (Note 1)	I_{DM}	33		A
Single Pulse Avalanche Energy (Note 2)	E_{AS}	215		mJ
Repetitive Avalanche Energy (Note 1)	E_{AR}	0.32		mJ
Avalanche Current (Note 1)	I_{AR}	1.8		A
Maximum Power Dissipation ($T_C=25^\circ\text{C}$)	P_D	83	31	W
MOSFET dv/dt ruggedness, $V_{DS} = 0 \dots 480\text{V}$	dv/dt	50		V/ns
Reverse diode dv/dt, $V_{DS} = 0 \dots 480\text{V}$, $I_{SD} \leq I_D$	dv/dt	15		V/ μs
Operating Junction and Storage Temperature Range	T_J, T_{STG}	-55 To 150		$^\circ\text{C}$

Thermal Characteristic

Parameter	Symbol	Value		Unit
		TO-252 TO-220	TO-220F	
Thermal Resistance,Junction-to-Case	R_{thJC}	1.5	4	°C/W
Thermal Resistance,Junction-to-Ambient (Note 2)	R_{thJA}	62	80	°C/W

Electrical Characteristics ($T_A=25^\circ\text{C}$ unless otherwise noted)

Parameter	Symbol	Condition	Min	Typ	Max	Unit
On/ Off Characteristics						
Drain-Source Breakdown Voltage	BV_{DSS}	$V_{GS}=0V, I_D=250\mu A$	700	-	-	V
Zero Gate Voltage Drain Current ($T_C=25^\circ\text{C}$)	I_{DSS}	$V_{DS}=700V, V_{GS}=0V$	-	-	1	μA
Zero Gate Voltage Drain Current ($T_C=125^\circ\text{C}$)	I_{DSS}	$V_{DS}=700V, V_{GS}=0V$	-	-	100	μA
Gate-Body Leakage Current	I_{GSS}	$V_{GS}=\pm 30V, V_{DS}=0V$	-	-	± 100	nA
On Characteristics (Note 3)						
Gate Threshold Voltage	$V_{GS(th)}$	$V_{DS}=V_{GS}, I_D=250\mu A$	2.5	-	4.5	V
Drain-Source On-State Resistance	$R_{DS(ON)}$	$V_{GS}=10V, I_D=5.5A$	-	-	395	m Ω
Gate resistance	R_G	$f = 1.0\text{MHz}$ open drain	-	18	-	Ω
Dynamic Characteristics (Note4)						
Input Capacitance	C_{iss}	$V_{DS}=100V, V_{GS}=0$ $V, F=1.0\text{MHz}$	-	871	-	PF
Output Capacitance	C_{oss}		-	37	-	PF
Reverse Transfer Capacitance	C_{rss}		-	5	-	PF
Switching Characteristics (Note 4)						
Turn-on Delay Time	$t_{d(on)}$	$V_{DD}=400V, I_D=11A$ $V_{GS}=10V, R_{GEN}=25\Omega$	-	70	-	ns
Turn-on Rise Time	t_r		-	70	-	ns
Turn-Off Delay Time	$t_{d(off)}$		-	145	-	ns
Turn-Off Fall Time	t_f		-	59	-	ns
Total Gate Charge	Q_g	$V_{DD}=520V, I_D=11A, V_{GS}=10V$	-	22	-	nC
Gate-Source Charge	Q_{gs}		-	4	-	nC
Gate-Drain Charge	Q_{gd}		-	8	-	nC
Drain-Source Diode Characteristics						
Continuous Body Diode Current	I_S	$T_C=25^\circ\text{C}$	-	-	11	A
Pulsed Diode Forward Current	I_{SM}	$T_C=25^\circ\text{C}$	-	-	33	A
Diode Forward Voltage	V_{SD}	$T_J=25^\circ\text{C},$ $I_{SD}=11A, V_{GS}=0V$	-	-	1.2	V
Reverse Recovery Time	t_{rr}	$V_R=400V, I_F=I_S,$ $di_F/dt = 100A/\mu s$	-	377	-	ns
Reverse Recovery Charge	Q_{rr}		-	3.4	-	μC
Peak Reverse Recovery Current	I_{rrm}		-	17.8	-	A

Notes:

1. Repetitive Rating: Pulse width limited by maximum junction temperature.
2. $I_{AS} = 1.8A, V_{DD} = 50V, R_G = 25\Omega, \text{Starting } T_J = 25^\circ\text{C}$
3. Pulse Test: Pulse Width $\leq 300\mu s, \text{Duty Cycle } \leq 1\%$.
4. Guaranteed by design, not subject to production

Typical Electrical And Thermal Characteristics

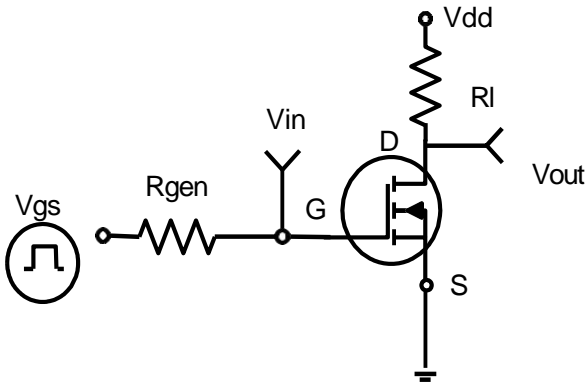


Figure 1. Switching Test Circuit

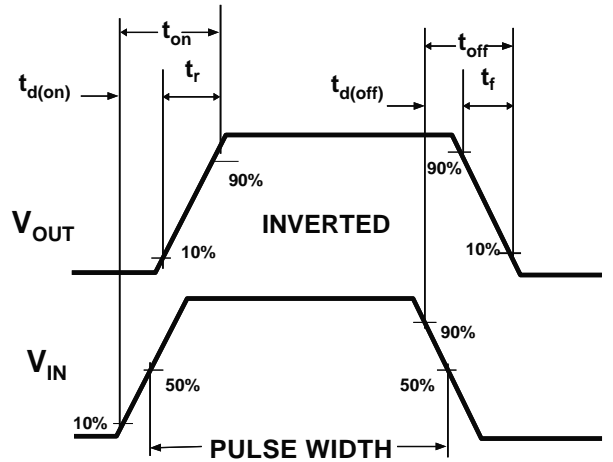


Figure 2. Switching Waveforms

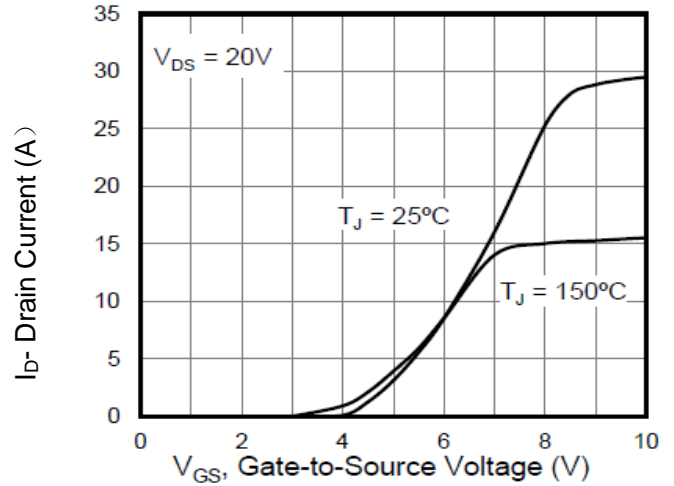
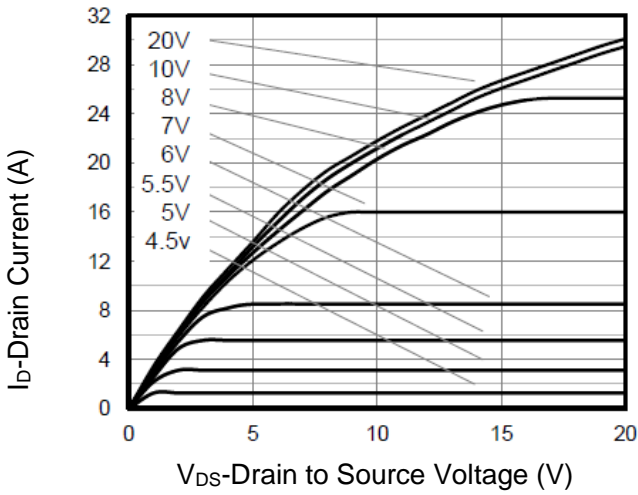


Figure 3. Output Characteristics

Figure 4. Transfer Characteristics

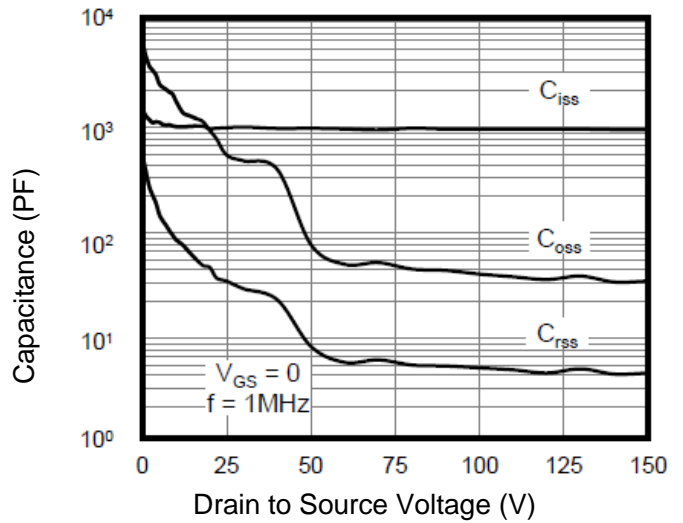
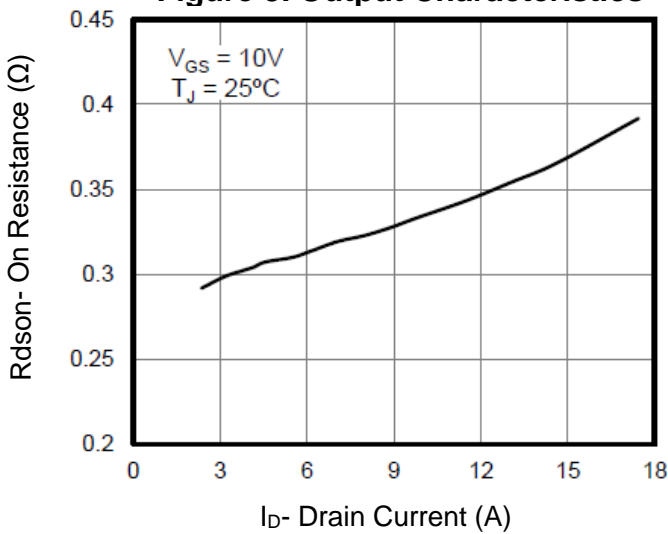


Figure 5. On Resistance vs. Drain Current

Figure 6. Capacitance

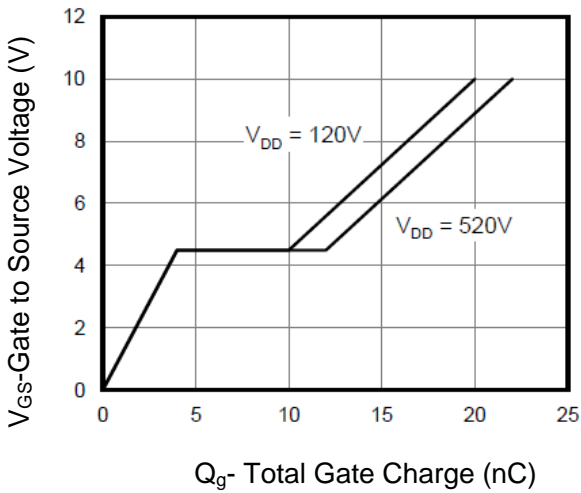


Figure 7. Gate Charge

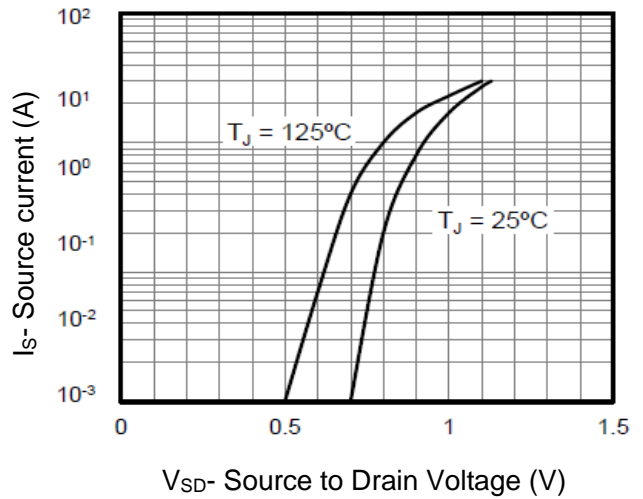


Figure 8. Body Diode Forward Voltage

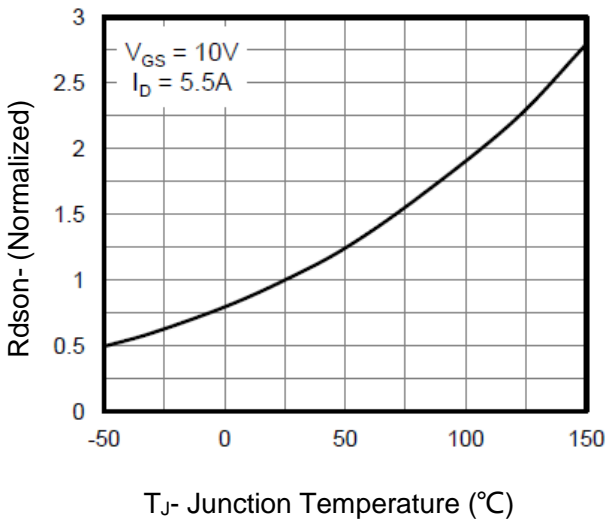


Figure 9. On- Resistance vs. Junction Temperature

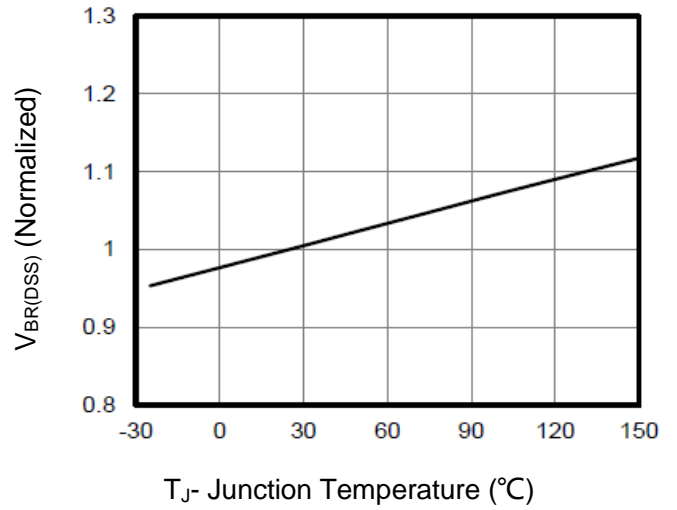


Figure 10. Breakdown Voltage vs. Junction Temperature

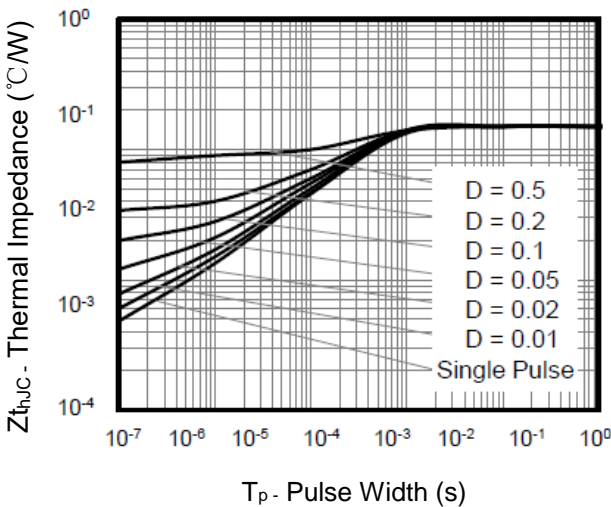


Figure 11. Transient Thermal Impedance (TO-252/TO-220)

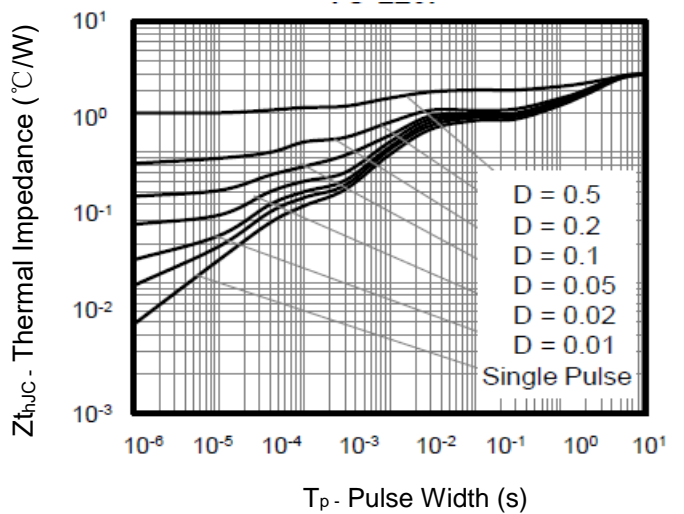
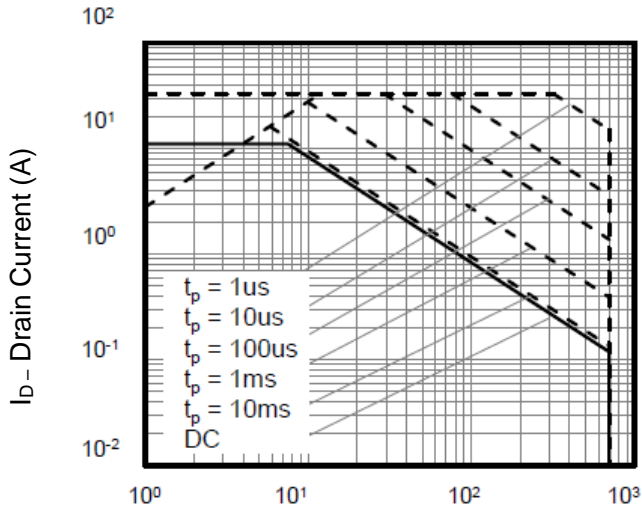
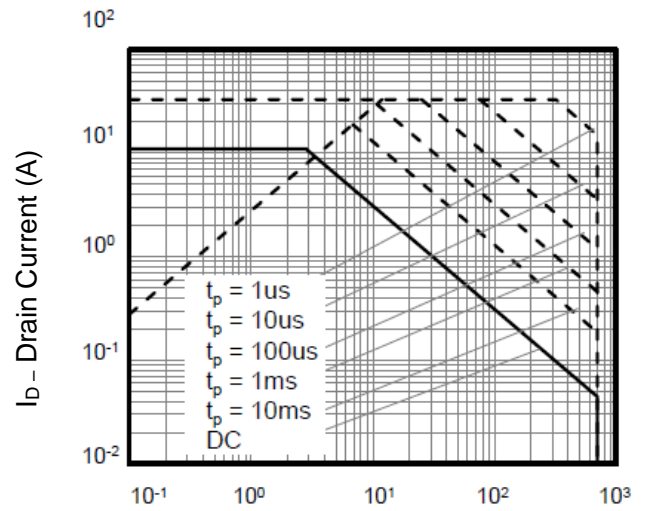


Figure 12. Transient Thermal Impedance (TO-220F)



V_{DS} - Drain to Source voltage (V)

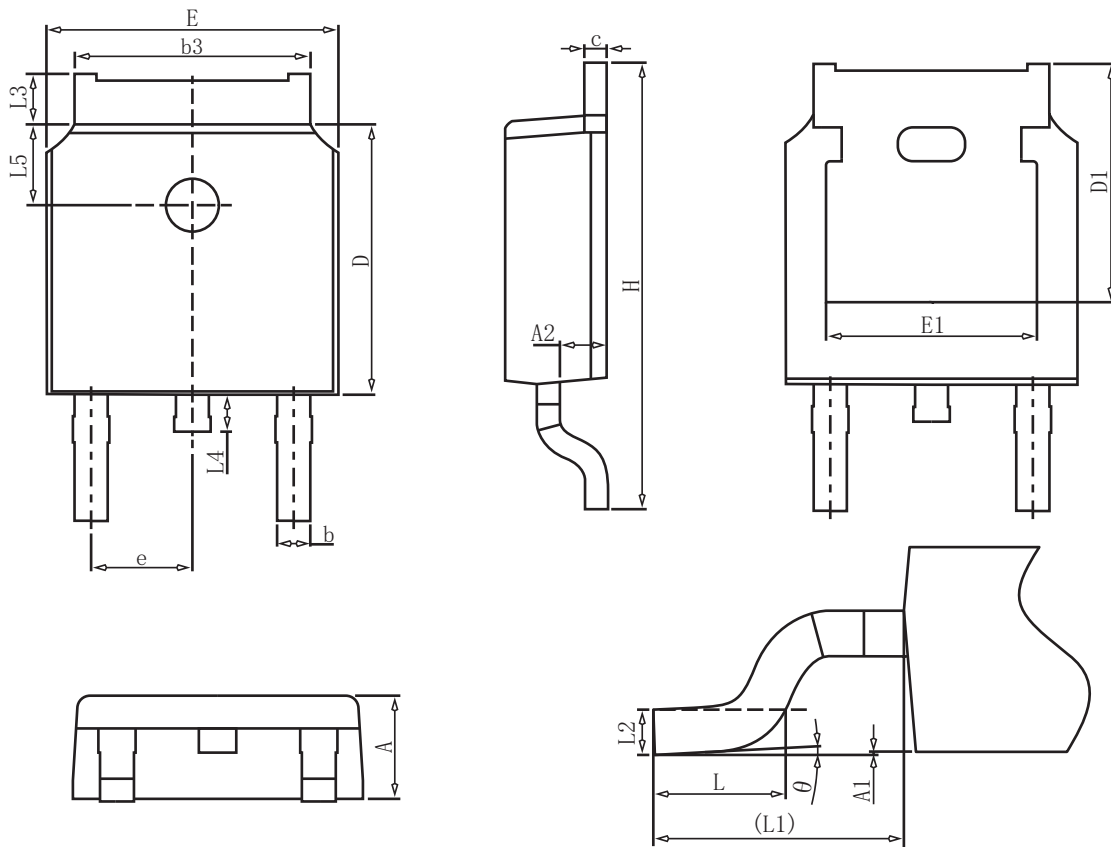
Figure 13. Safe Operation Area for TO-252/TO-220



V_{DS} - Drain to Source Voltage (V)

Figure 14. Safe Operation Area for TO-220F

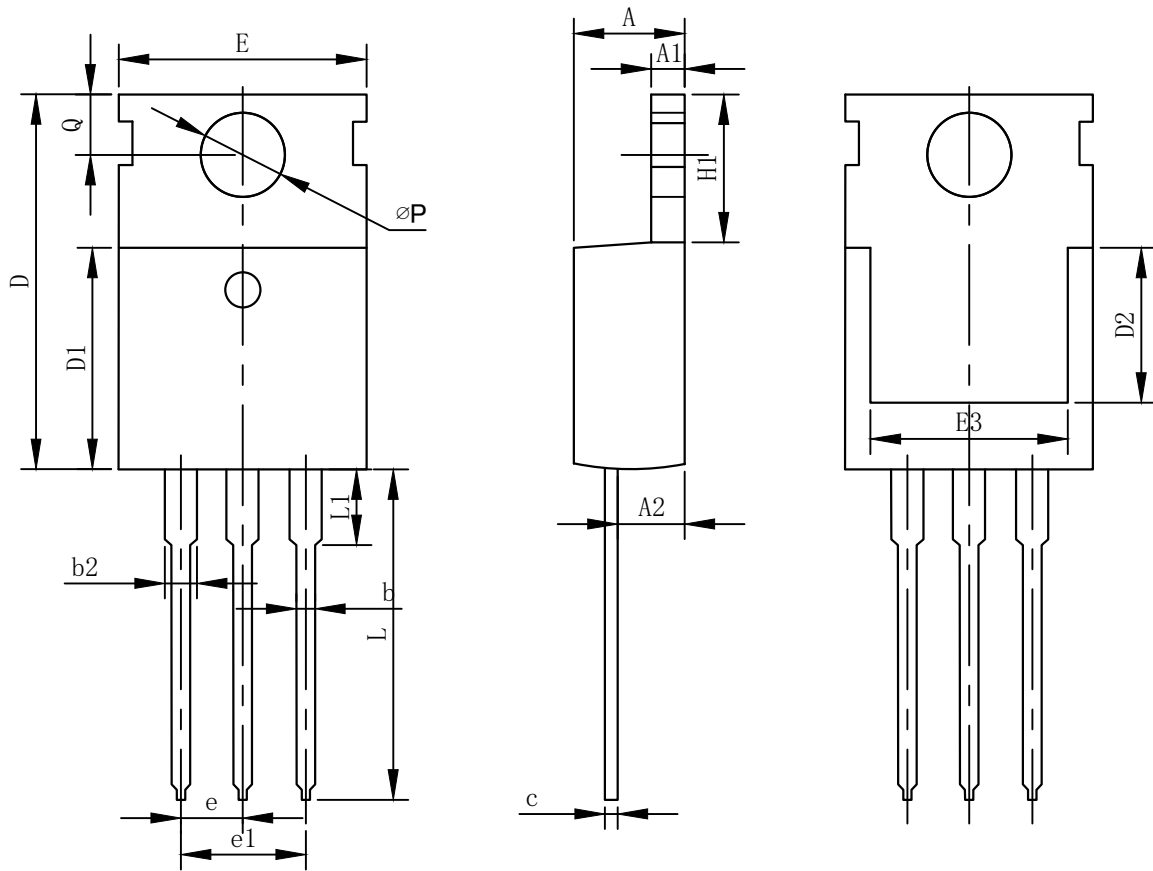
TO-252 Package information



COMMON DIMENSIONS

SYMBOL	mm		
	MIN	NOM	MAX
A	2.20	2.30	2.40
A1	0.00	-	0.20
A2	0.97	1.07	1.17
b	0.68	0.78	0.90
b3	5.20	5.33	5.50
c	0.43	0.53	0.63
D	5.98	6.10	6.22
D1	5.30REF		
E	6.40	6.60	6.80
E1	4.63	-	-
e	2.286BSC		
H	9.40	10.10	10.50
L	1.38	1.50	1.75
L1	2.90REF		
L2	0.51BSC		
L3	0.88	-	1.28
L4	0.50	-	1.00
L5	1.65	1.80	1.95
θ	0°	-	8°

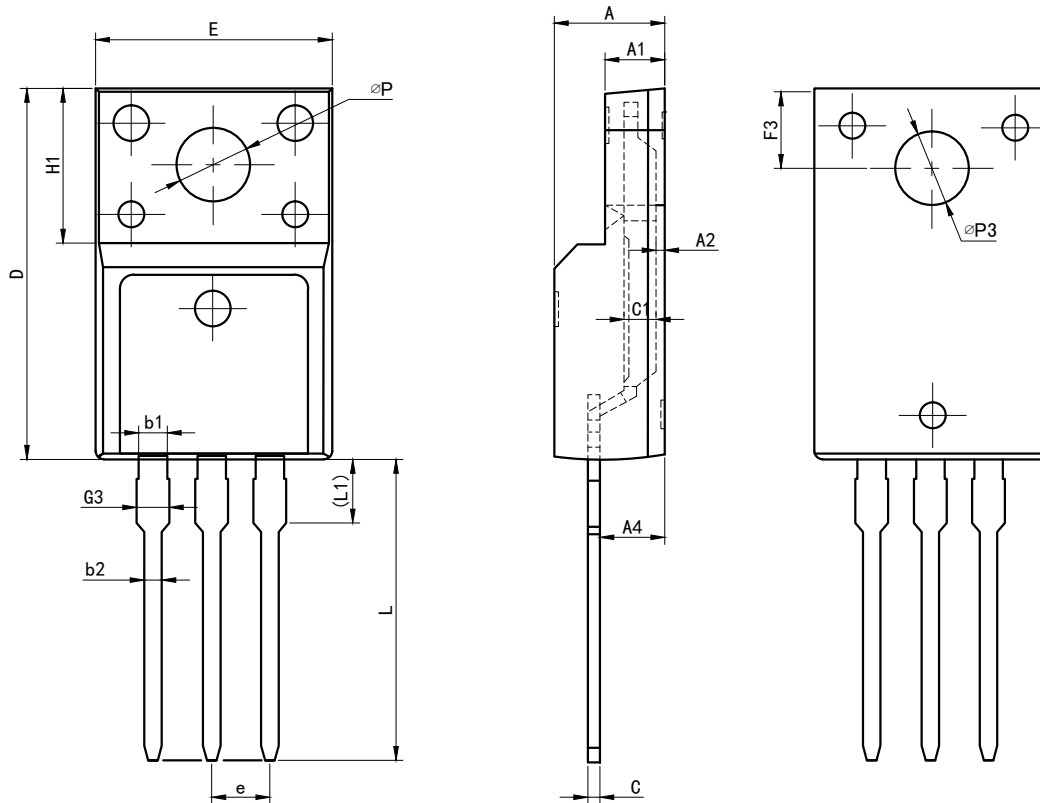
TO-220 Package information



COMMON DIMENSIONS

SYMBOL	mm		
	MIN	NOM	MAX
A	4.37	4.57	4.70
A1	1.25	1.30	1.40
A2	2.20	2.40	2.60
b	0.70	0.80	0.95
b2	1.70	1.27	1.47
c	0.45	0.50	0.60
D	15.10	15.60	16.10
D1	8.80	9.10	9.40
D2	5.50	-	-
E	9.70	10.00	10.30
E3	7.00	-	-
e	2.54BSC		
e1	5.08BSC		
H1	6.25	6.50	6.85
L	12.75	13.50	13.80
L1	-	3.10	3.40
øP	3.40	3.60	3.80
Q	2.60	2.80	3.00

TO-220F Package information



COMMON DIMENSIONS

SYMBOL	mm		
	MIN	NOM	MAX
E	9.96	10.16	10.36
A	4.50	4.70	4.90
A1	2.34	2.54	2.74
A2	0.30	0.45	0.60
A4	2.56	2.76	2.96
c	0.40	0.50	0.65
c1	1.20	1.30	1.35
D	15.57	15.87	16.17
H1	6.70REF		
e	2.54BSC		
L	12.68	12.98	13.28
L1	2.93	3.03	3.13
$\varnothing P$	3.03	3.18	3.38
$\varnothing P3$	3.15	3.45	3.65
F3	3.15	3.30	3.45
G3	1.25	1.35	1.55
b1	1.18	1.28	1.43
b2	0.70	0.80	0.95

X-ON Electronics

Largest Supplier of Electrical and Electronic Components

Click to view similar products for [MOSFET](#) category:

Click to view products by [GOFORD](#) manufacturer:

Other Similar products are found below :

[614233C](#) [648584F](#) [MCH3443-TL-E](#) [MCH6422-TL-E](#) [FDPF9N50NZ](#) [FW216A-TL-2W](#) [FW231A-TL-E](#) [APT5010JVR](#) [NTNS3A92PZT5G](#)
[IRF100S201](#) [JANTX2N5237](#) [2SK2464-TL-E](#) [2SK3818-DL-E](#) [FCA20N60_F109](#) [FDZ595PZ](#) [STD6600NT4G](#) [FSS804-TL-E](#) [2SJ277-DL-E](#)
[2SK1691-DL-E](#) [2SK2545\(Q,T\)](#) [D2294UK](#) [405094E](#) [423220D](#) [MCH6646-TL-E](#) [TPCC8103,L1Q\(CM](#) [367-8430-0972-503](#) [VN1206L](#)
[424134F](#) [026935X](#) [051075F](#) [SBVS138LT1G](#) [614234A](#) [715780A](#) [NTNS3166NZT5G](#) [751625C](#) [873612G](#) [IRF7380TRHR](#)
[IPS70R2K0CEAKMA1](#) [RJK60S3DPP-E0#T2](#) [RJK60S5DPK-M0#T0](#) [APT5010JVFR](#) [APT12031JFLL](#) [APT12040JVR](#) [DMN3404LQ-7](#)
[NTE6400](#) [JANTX2N6796U](#) [JANTX2N6784U](#) [JANTXV2N5416U4](#) [SQM110N05-06L-GE3](#) [SIHF35N60E-GE3](#)