

General Description

GT125N10 use advanced SFGMOS™ technology to provide low $R_{DS(ON)}$, low gate charge, fast switching and excellent avalanche characteristics. This device is specially designed to get better ruggedness and suitable to use in motor control applications.

Features

- ◆ Low $R_{DS(on)}$ & FOM
- ◆ Extremely low switching loss
- ◆ Excellent stability and uniformity
- ◆ Fast switching and soft recovery
- ◆ RoHS Compliant

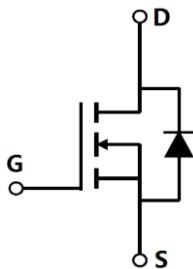
V_{DSS}	$R_{DS(ON)}$ @10V(Typ.)	I_D
100V	4.1mΩ	130A

Applications

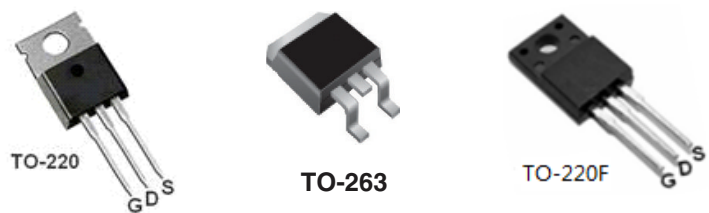
- ◆ Consumer electronic power supply
- ◆ Motor control
- ◆ Synchronous-rectification
- ◆ Isolated DC/DC convertor
- ◆ Invertors

Schematic and Package Information

SCHEMATIC DIAGRAM



PIN ASSIGNMENT TOP VIEW



Ordering Information

Part Number	Marking	Case	Packaging
GT125N10T	GT125N10	TO-220	50pcs/Tube
GT125N10M	GT125N10	TO-263	800pcs/Reel
GT125N10F	GT125N10	TO-220F	50pcs/Tube

■ Absolute Maximum Ratings at $T_j=25^\circ\text{C}$ unless otherwise noted

Parameter	Symbol	Value	Unit
Drain source voltage	V_{DS}	100	V
Gate source voltage	V_{GS}	± 20	V
Continuous drain current ¹⁾ , $T_C=25^\circ\text{C}$	I_D	130	A
Pulsed drain current ²⁾ , $T_C=25^\circ\text{C}$	$I_{D, pulse}$	390	A
Power dissipation ³⁾ for TO220, TO263 $T_C=25^\circ\text{C}$	P_D	192	W
Power dissipation ³⁾ for TO220F, $T_C=25^\circ\text{C}$		34	
Single pulsed avalanche energy ⁵⁾	E_{AS}	400	mJ
Operation and storage temperature	T_{stg}, T_j	-55 to 150	$^\circ\text{C}$

■ Thermal Characteristics

Parameter	Symbol	Value		Unit
		TO263/TO220	TO220F	
Thermal resistance, junction-case	$R_{\theta JC}$	0.65	3.68	$^\circ\text{C}/\text{W}$
Thermal resistance, junction-ambient ⁴⁾	$R_{\theta JA}$	62	62.5	$^\circ\text{C}/\text{W}$

■ Electrical Characteristics at $T_j=25^\circ\text{C}$ unless otherwise specified

Parameter	Symbol	Min.	Typ.	Max.	Unit	Test condition
Drain-source breakdown voltage	BV_{DSS}	100			V	$V_{GS}=0\text{ V}, I_D=250\ \mu\text{A}$
Gate threshold voltage	$V_{GS(th)}$	2.0		4.0	V	$V_{DS}=V_{GS}, I_D=250\ \mu\text{A}$
Drain-source on-state resistance	$R_{DS(ON)}$		4.1	4.6	m Ω	$V_{GS}=10\text{ V}, I_D=60\text{ A}$
Gate-source leakage current	I_{GSS}			100	nA	$V_{GS}=20\text{ V}$
				-100		$V_{GS}=-20\text{ V}$
Drain-source leakage current	I_{DSS}			1	μA	$V_{DS}=100\text{ V}, V_{GS}=0\text{ V}$

■ Dynamic Characteristics

Parameter	Symbol	Min.	Typ.	Max.	Unit	Test condition
Input capacitance	C_{iss}		6124.6		pF	$V_{GS}=0\text{ V},$ $V_{DS}=50\text{ V},$ $f=1\text{ MHz}$
Output capacitance	C_{oss}		792.3		pF	
Reverse transfer capacitance	C_{rss}		15.1		pF	
Turn-on delay time	$t_{d(on)}$		28.2		ns	$V_{GS}=10\text{ V},$ $V_{DS}=50\text{ V},$ $R_G=2.2\ \Omega,$ $I_D=22\text{ A}$
Rise time	t_r		7.5		ns	
Turn-off delay time	$t_{d(off)}$		81.9		ns	
Fall time	t_f		20.1		ns	

■ Gate Charge Characteristics

Parameter	Symbol	Min.	Typ.	Max.	Unit	Test condition
Total gate charge	Q_g		101.6		nC	$I_D=22\text{ A}$, $V_{DS}=50\text{ V}$, $V_{GS}=10\text{ V}$
Gate-source charge	Q_{gs}		20.6		nC	
Gate-drain charge	Q_{gd}		28.7		nC	
Gate plateau voltage	V_{plateau}		4.2		V	

■ Body Diode Characteristics

Parameter	Symbol	Min.	Typ.	Max.	Unit	Test condition
Diode forward current	I_S			130	A	$V_{GS} < V_{th}$
Pulsed source current	I_{SP}			390		
Diode forward voltage	V_{SD}			1.3	V	$I_S=20\text{ A}$, $V_{GS}=0\text{ V}$
Reverse recovery time	t_{rr}		82.1		ns	$I_S=10\text{ A}$, $di/dt=100\text{ A}/\mu\text{s}$
Reverse recovery charge	Q_{rr}		248.4		nC	
Peak reverse recovery current	I_{rrm}		4.9		A	

■ Note

- 1) Calculated continuous current based on maximum allowable junction temperature.
- 2) Repetitive rating; pulse width limited by max. junction temperature.
- 3) P_d is based on max. junction temperature, using junction-case thermal resistance.
- 4) The value of $R_{\theta JA}$ is measured with the device mounted on 1 in 2 FR-4 board with 2oz. Copper, in a still air environment with $T_a=25\text{ }^\circ\text{C}$.
- 5) $V_{DD}=50\text{ V}$, $R_G=25\text{ }\Omega$, $L=0.5\text{ mH}$, starting $T_j=25\text{ }^\circ\text{C}$.

■ Electrical Characteristics Diagrams

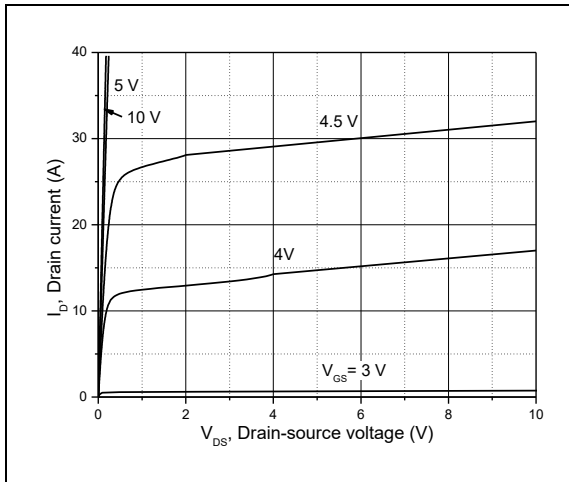


Figure 1, Typ. output characteristics

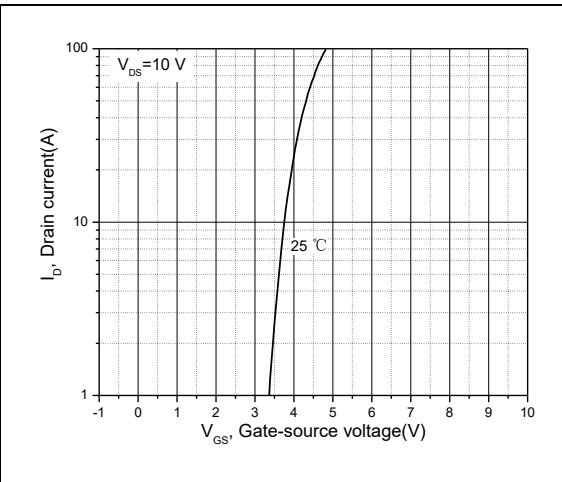


Figure 2, Typ. transfer characteristics

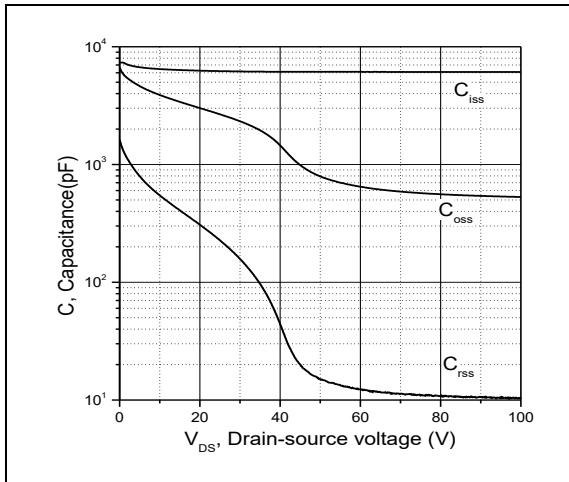


Figure 3, Typ. capacitances

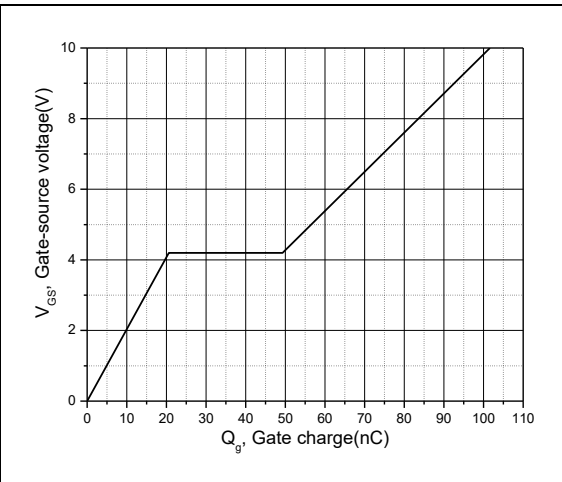


Figure 4, Typ. gate charge

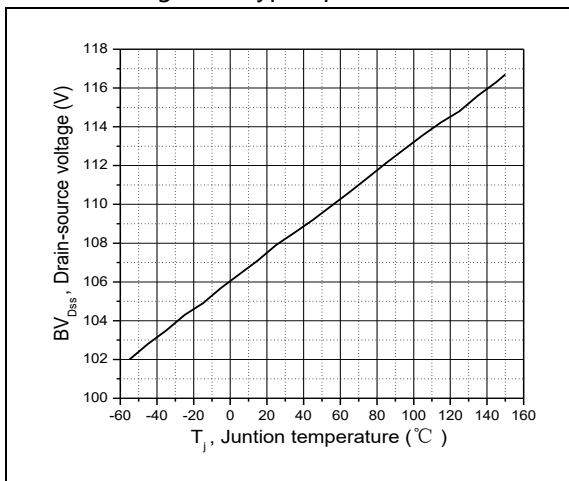


Figure 5, Drain-source breakdown voltage

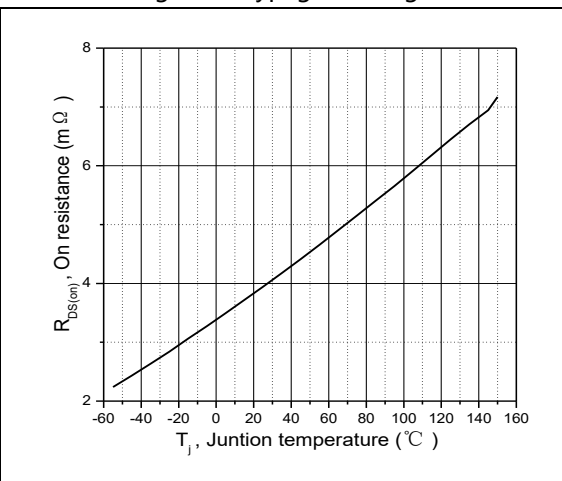


Figure 6, Drain-source on-state resistance

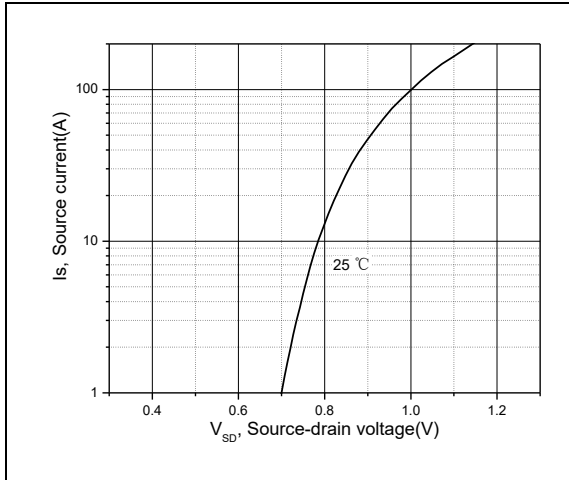


Figure 7, Forward characteristic of body diode

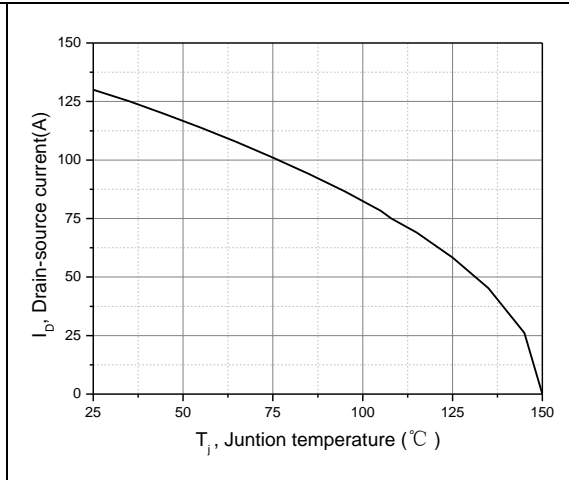


Figure 8, Drain current

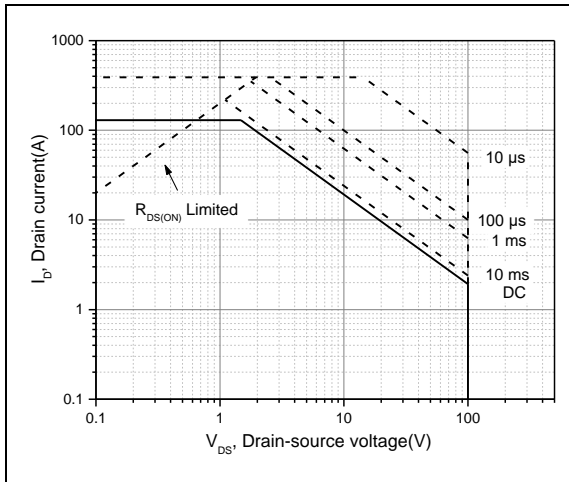


Figure 9, Safe operation area for TO220/TO263
T_C=25 °C

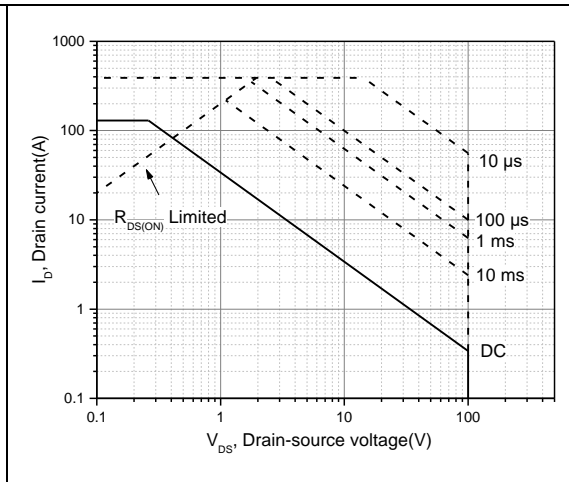


Figure 10, Safe operation area for TO220F
T_C=25 °C

■ Test circuits and waveforms

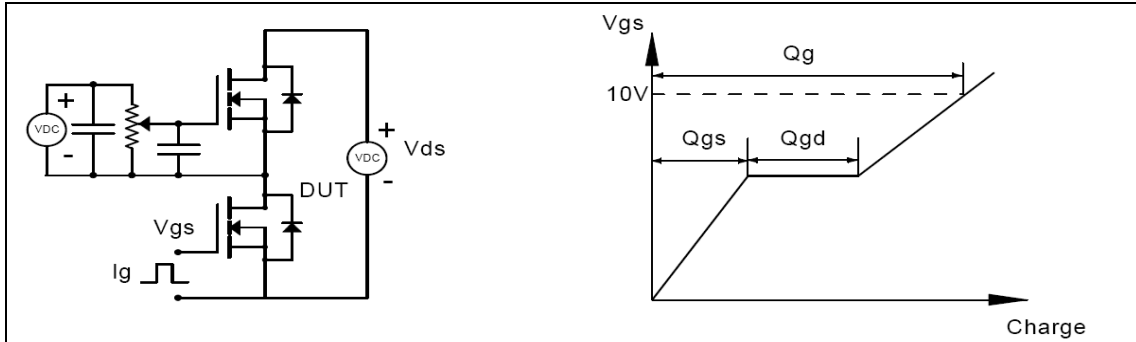


Figure 1, Gate charge test circuit & waveform

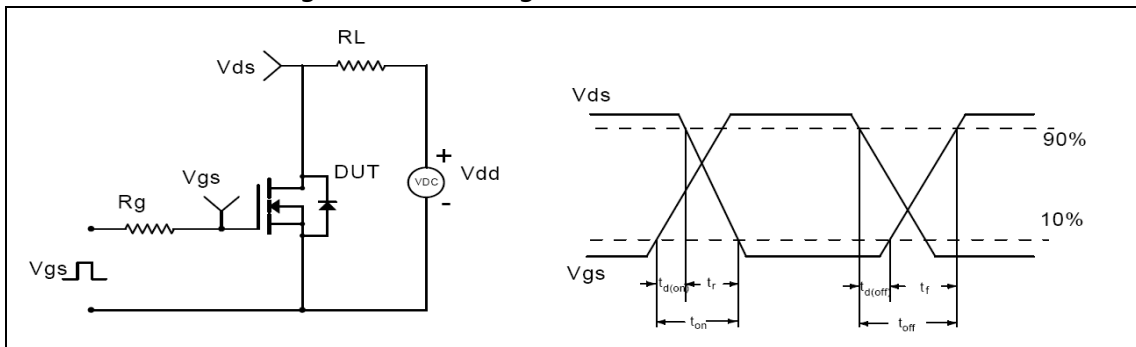


Figure 2, Switching time test circuit & waveforms

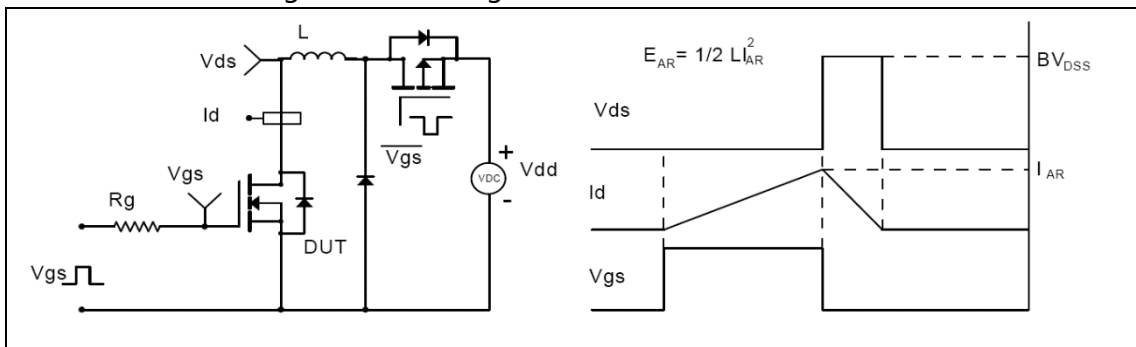


Figure 3, Unclamped inductive switching (UIS) test circuit & waveforms

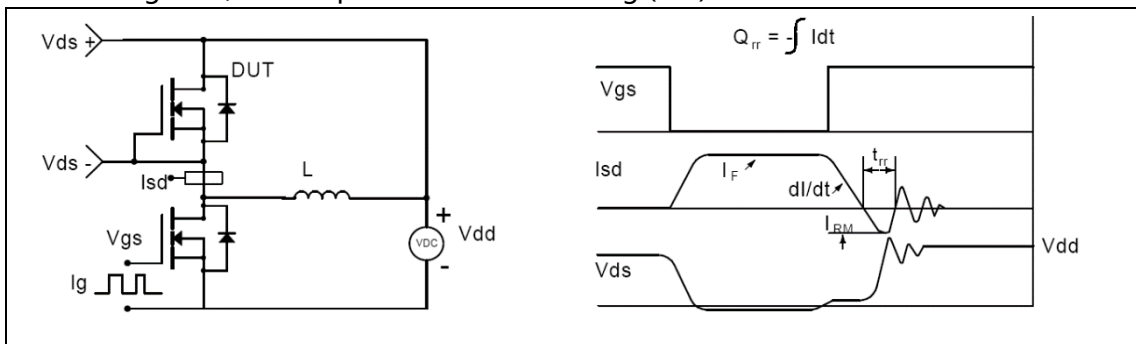
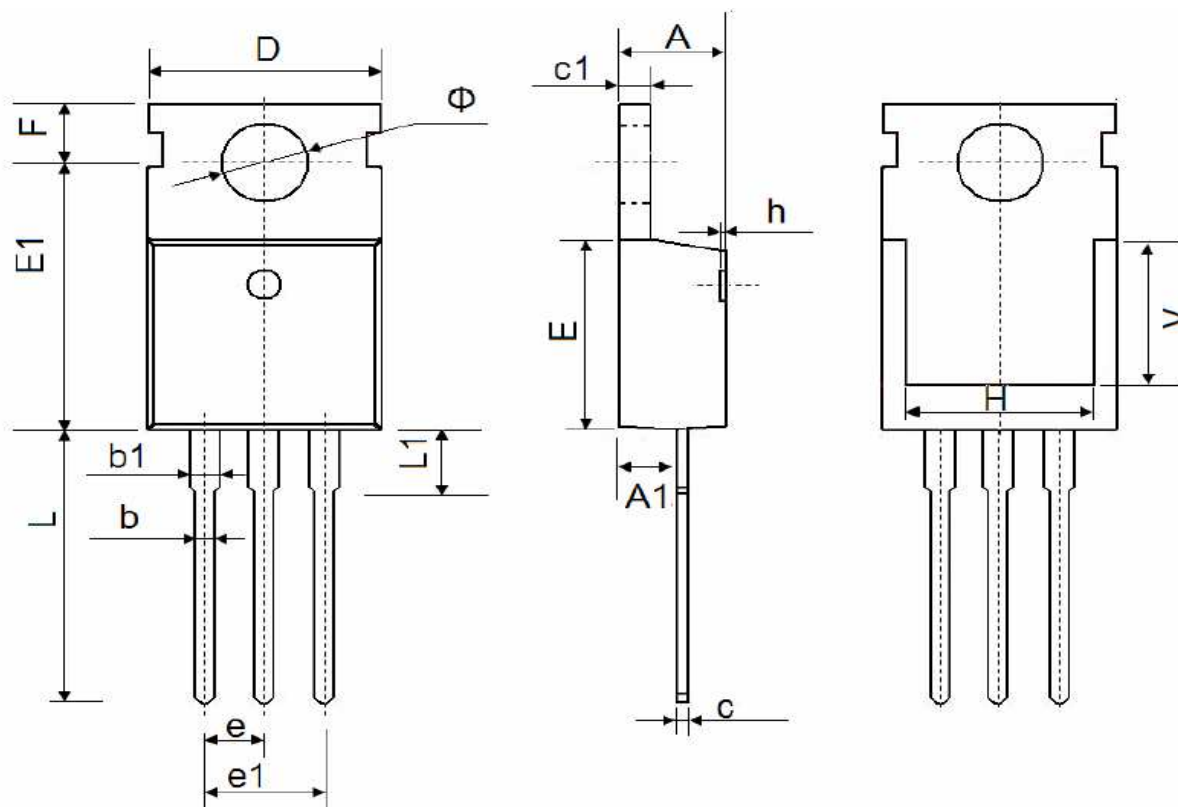


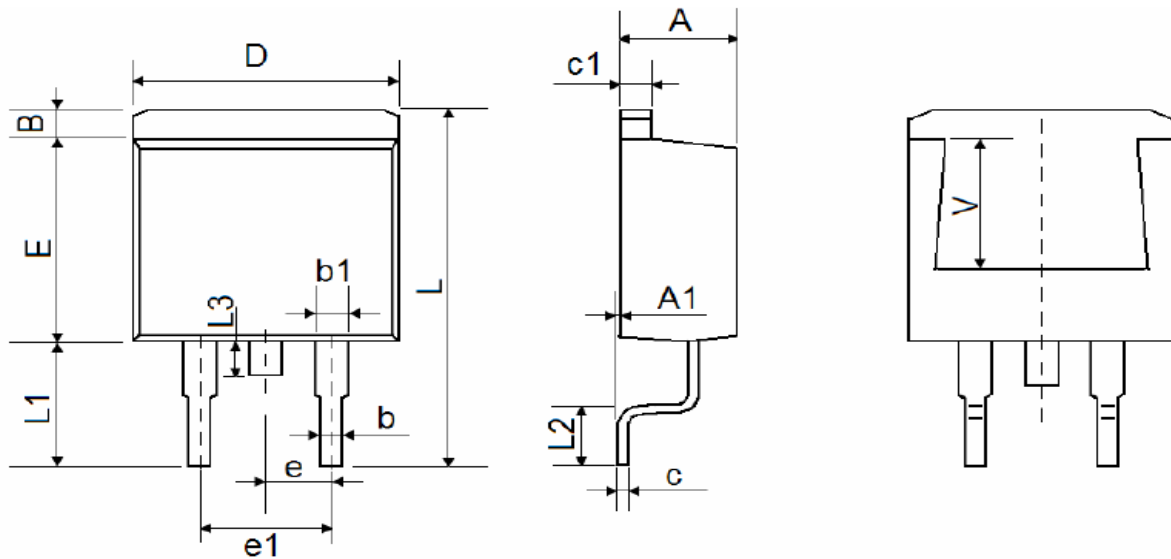
Figure 4, Diode reverse recovery test circuit & waveforms

Package information TO-220



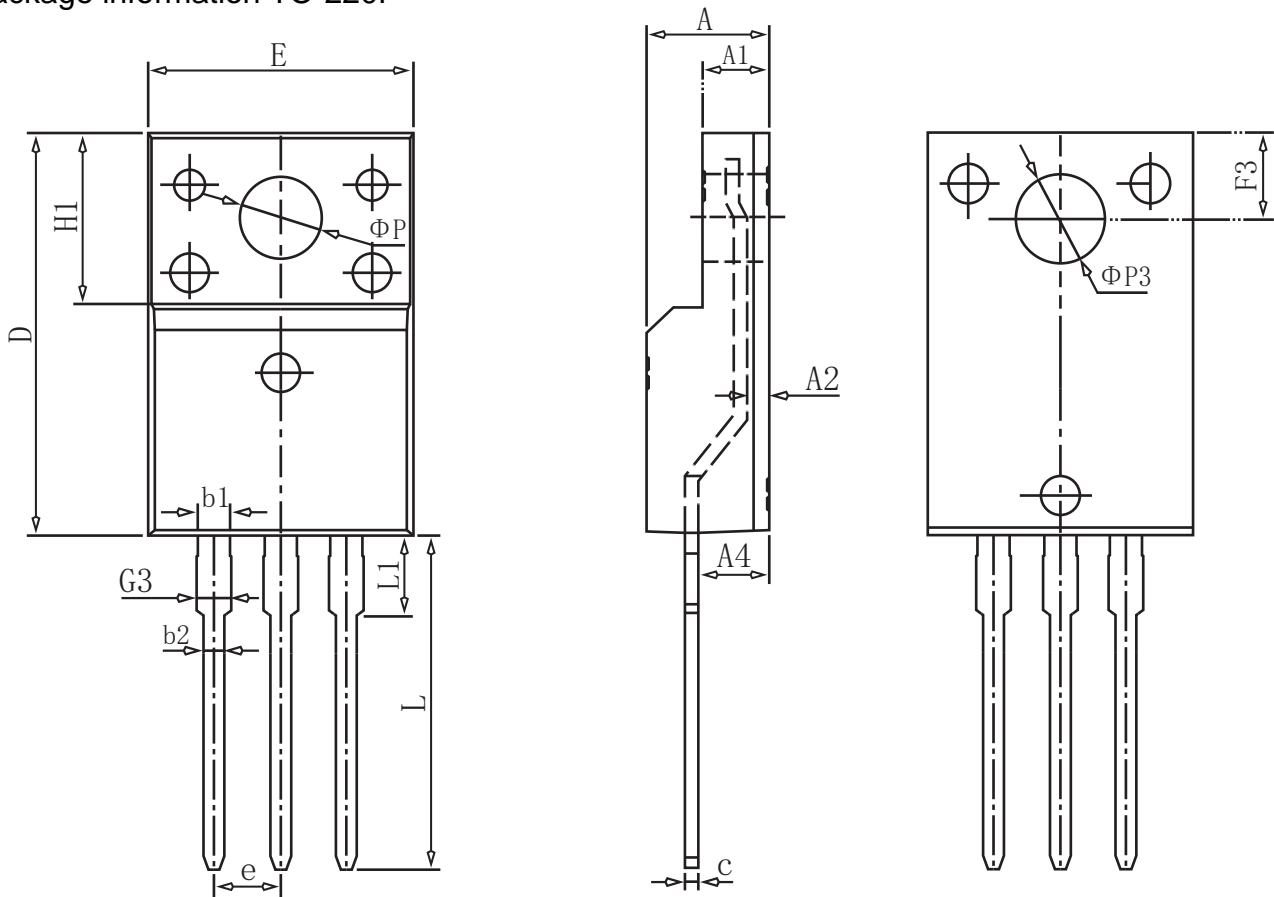
Symbol	Dimensions In Millimeters		Dimensions In Inches	
	Min.	Max.	Min.	Max.
A	4.4	4.6	0.173	0.181
A1	2.25	2.55	0.089	0.1
b	0.71	0.91	0.028	0.036
b1	1.17	1.37	0.046	0.054
c	0.33	0.65	0.013	0.026
c1	1.2	1.4	0.047	0.055
D	9.91	10.25	0.39	0.404
E	8.95	9.75	0.352	0.384
E1	12.65	12.95	0.498	0.51
e	2.540 Typ.		0.100 Typ.	
e1	4.98	5.18	0.196	0.204
F	2.65	2.95	0.104	0.116
H	7.9	8.1	0.311	0.319
h	0	0.3	0	0.012
L	12.9	13.4	0.508	0.528
L1	2.85	3.25	0.112	0.128
V	7.500 Ref.		0.295 Ref.	
Φ	3.4	3.8	0.134	0.15

Package information TO-263



Symbol	Dimensions In Millimeters		Dimensions In Inches	
	Min.	Max.	Min.	Max.
A	4.47	4.67	0.176	0.184
A1	0	0.15	0	0.006
B	1.17	1.37	0.046	0.054
b	0.71	0.91	0.028	0.036
b1	1.17	1.37	0.046	0.054
c	0.31	0.53	0.012	0.021
c1	1.17	1.37	0.046	0.054
D	10.01	10.31	0.394	0.406
E	8.5	8.9	0.335	0.35
e	2.540 Typ.		0.100 Typ.	
e1	4.98	5.18	0.196	0.204
L	15.05	15.45	0.593	0.608
L1	5.08	5.48	0.2	0.216
L2	2.34	2.74	0.092	0.108
L3	1.3	1.7	0.051	0.067
V	5.600 Ref.		0.220 Ref.	

Package information TO-220F



COMMON DIMENSIONS

SYMBOL	mm		
	MIN	NOM	MAX
E	10.00	10.20	10.40
A	4.50	4.70	4.90
A1	2.34	2.54	2.74
A2	0.65	0.85	1.30
A4	2.55	2.75	2.95
c	0.40	0.50	0.65
D	15.57	15.87	16.17
H1	6.70REF		
e	2.54BSC		
Φ P	3.183REF		
L	12.68	12.98	13.28
L1	3.25	3.45	3.65
Φ P3	3.45REF		
F3	3.10	3.30	3.50
G3	1.10	1.30	1.50
b1	1.05	1.20	1.35
b2	0.70	0.80	0.92

X-ON Electronics

Largest Supplier of Electrical and Electronic Components

Click to view similar products for [MOSFET](#) category:

Click to view products by [GOFORD](#) manufacturer:

Other Similar products are found below :

[614233C](#) [648584F](#) [MCH3443-TL-E](#) [MCH6422-TL-E](#) [FDPF9N50NZ](#) [FW216A-TL-2W](#) [FW231A-TL-E](#) [APT5010JVR](#) [NTNS3A92PZT5G](#)
[IRF100S201](#) [JANTX2N5237](#) [2SK2464-TL-E](#) [2SK3818-DL-E](#) [FCA20N60_F109](#) [FDZ595PZ](#) [STD6600NT4G](#) [FSS804-TL-E](#) [2SJ277-DL-E](#)
[2SK1691-DL-E](#) [2SK2545\(Q,T\)](#) [D2294UK](#) [405094E](#) [423220D](#) [MCH6646-TL-E](#) [TPCC8103,L1Q\(CM](#) [367-8430-0972-503](#) [VN1206L](#)
[424134F](#) [026935X](#) [051075F](#) [SBVS138LT1G](#) [614234A](#) [715780A](#) [NTNS3166NZT5G](#) [751625C](#) [873612G](#) [IRF7380TRHR](#)
[IPS70R2K0CEAKMA1](#) [RJK60S3DPP-E0#T2](#) [RJK60S5DPK-M0#T0](#) [APT5010JVFR](#) [APT12031JFLL](#) [APT12040JVR](#) [DMN3404LQ-7](#)
[NTE6400](#) [JANTX2N6796U](#) [JANTX2N6784U](#) [JANTXV2N5416U4](#) [SQM110N05-06L-GE3](#) [SIHF35N60E-GE3](#)