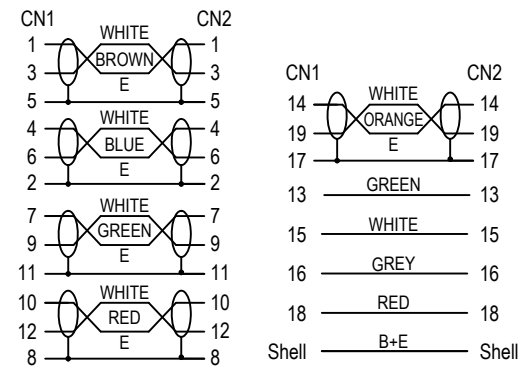
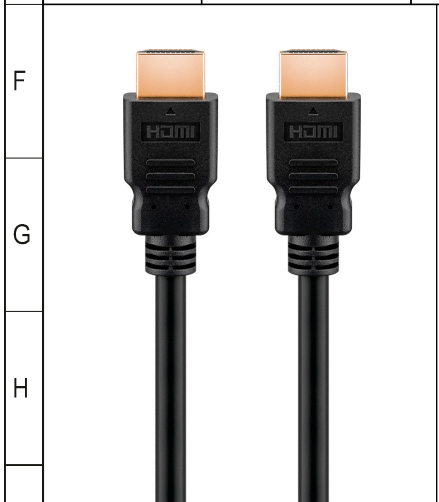


Anschlussdiagramm / Wire diagram



Artikel-Nr. / Item No.	Länge ± Toleranz / Length ± Tolerance (L ± T)	Innenleiter / Inner conductor
58267	500 ± 20 mm	30 AWG (1/0.254BC x 1P + E + A + MYLAR) x 5 + 1/0.254BC x 4C + AEB; B = 0.12 mm / 9 x 16 AL-MG
58263	1000 ± 30 mm	30 AWG (1/0.254BC x 1P + E + A + MYLAR) x 5 + 1/0.254BC x 4C + AEB; B = 0.12 mm / 9 x 16 AL-MG
58264	2000 ± 50 mm	30 AWG (1/0.254BC x 1P + E + A + MYLAR) x 5 + 1/0.254BC x 4C + AEB; B = 0.12 mm / 9 x 16 AL-MG
58265	3000 ± 70 mm	29 AWG (1/0.28BC x 1P + E + A + MYLAR) x 5 + 1/0.254BC x 4C + AEB; B = 0.12 mm / 9 x 16 AL-MG



Ultra High-Speed HDMI™ Kabel mit Ethernet, zertifiziert

- Series 2.1 8K
- HDMI zertifiziert, offiziell lizenziert und getestet
- beidseitiger Knickschutz
- unterstützt Farbraum RGB mit je 14 Bit, Farbunterabtastung YCbCr 4:2:0, Video-Kompression DSC 1.2

Anschlüsse: 2x HDMI™-Stecker (Typ A)
Kontakte: vergoldet
Material: PVC 88A, LDPE
Anzahl Schirmungen: 2x, Geflecht (Alu) 144x
Ferritkern: nein
Max. Auflösung: 4K Ultra HD 2160p (120 Hz), 8K Ultra HD 4320p (60 Hz)
Max. Übertragungsrate: 48 Gbit/s
Unterstützte Standards: HDR (High Dynamic Range), HDMI™ Ethernet Channel (HEC), 4K 3D, 21:9 Cinemascope, HDCP 2.2, Enhanced Audio Return Channel (eARC), Consumer Electronics Control (CEC)
Betriebstemperatur: -10°C ~ +80°C

Ultra High Speed HDMI™ Cable with Ethernet, certified

- Series 2.1 8K
- integrated Ethernet channel saves additional network or audio cables
- kink protection on both sides
- supported color space RGB with 14 Bit, color subsampling YCbCr 4:2:0, Video-Compression DSC 1.2

Connectors: 2x HDMI™ male (type A)
Contacts: gold-plated
Material: PVC 88A, LD-PE
Number of shieldings: 2x, braid (aluminium) 144x
Ferrite core: no
Resolution: 4K Ultra HD 2160p (120 Hz), 8K Ultra HD 4320p (60 Hz)
Max. transmission rate: 48 Gbit/s
Supported standards: HDR (High Dynamic Range), HDMI™ Ethernet Channel (HEC), 4K 3D, 21:9 Cinemascope, HDCP 2.2, Enhanced Audio Return Channel (eARC), Consumer Electronics Control (CEC)
Operating temperature: -10°C ~ +80°C

Änderungen			Datum	Name	Bezeichnung	Blatt
Datum	Name	gez.:	29.07.2021	aw	HDMI 2.1 Kabel Zert. XXXX Xm STD sw	1
		gepr.:	29.07.2021	aw		
		Norm:			Zeichnungs-Nr.:	von 1
Änderungen vorbehalten / Subject to change						



X-ON Electronics

Largest Supplier of Electrical and Electronic Components

Click to view similar products for [HDMI, Displayport & DVI Connectors](#) category:

Click to view products by [Goobay](#) manufacturer:

Other Similar products are found below :

[1775247-3](#) [2-1932649-5](#) [30-1231](#) [30-528](#) [2069485-1](#) [30-504](#) [30-519](#) [30-542](#) [47648-2000](#) [2002-400](#) [769-103/021-000](#) [1932649-1](#) [233-368NFG6-17NH](#) [RPI-16338](#) [CCB-HDMIL-1.5M](#) [CCB-HDMIL-1M](#) [CCB-HDMIL-7.5M](#) [CCBP-HDMI-10M](#) [CCBP-HDMI8K-2M](#) [AK-AV-02](#) [AK-AV-11](#) [AK-AV-13](#) [AK-AV-15](#) [AK-HD-100A](#) [AK-HD-100P](#) [AK-HD-15P](#) [AK-HD-30P](#) [DSP-2PH4-04](#) [DSP-4PH4-02](#) [DSP-8PH4-03](#) [AK-AD-38](#) [AK-AD-39](#) [RPI-14662](#) [RPI-16335](#) [A-DPM-DVIF-002-W](#) [A-DPM-DVIF-03-W](#) [A-DPM-HDMIF-002](#) [A-DVI-VGA](#) [A-HDMI90-FML](#) [A-MDPM-DPF-001-W](#) [A-MDPM-HDMIF-02-W](#) [A-MDPM-HDMIF4K-01](#) [75053](#) [75603](#) [75777](#) [75844](#) [75919](#) [A-DPM-HDMIF-002-W](#) [AK-330126-100-S](#) [KAB-07040](#)