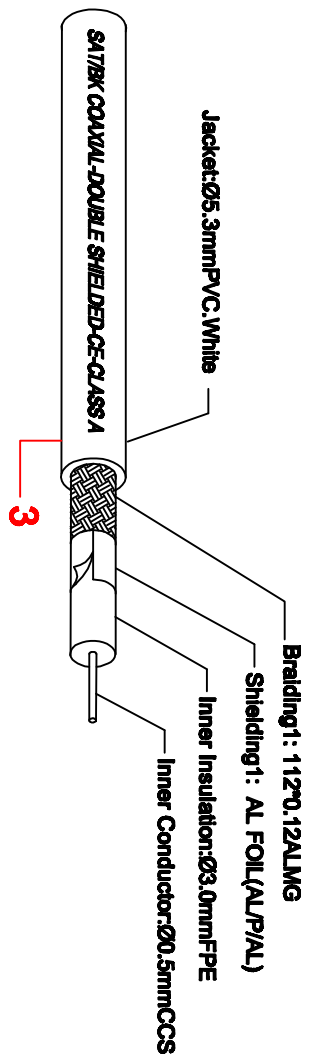
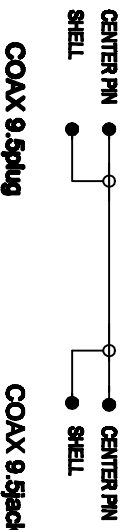


## Construction



## Wiring Method



1. dimensions As shown
2. Insulation resistance:  $\geq 10\Omega$  up to 500V=
3. dielectric strength
- 2 KV 50Hz 2 sec.
4. TESTING: 100% OPEN AND SHORT AND MISWIRE TEST.
5. 100% RoHS COMPLIANT.

No	Item	Length	Packaging
67276	BKM 0150-G	1.5m	1/10/80/160
67277	BKM 0250-G	2.5m	1/10/60/120
67278	BKM 0350-G	3.5m	1/10/40/80
37279	BKM 0500-G	5.0m	1/10/30/60
67280	BKM 0750-G	7.5m	1/5/20/40
67275	BKM 1000-G	10	1/5/20/40

7	MOLDED2	PVC 4SP White	2*12g
6	FERRITE	ø9.8mm H:13.5mm	4PCS
5	Copper coil	ø4.5mm H:6mm	2PCS
4	MOLDED1	PVC 4SP White	2*10g
3	CABLE	ø5.3 RG58 COAXIAL CABLE White/(according to the chart)	1
2	CONNECTOR82	COAX 9.5 Jack (Gold plating 100%Shielded )	1set
1	CONNECTOR81	COAX 9.5 Plug (Gold plating 100% Shielded )	1set
NO	Item Name	SPEC	QTY
Edition	WEC/000	Scale	
Designed by	ming hong	Item Name	COAX PLUG TO COAX JACK COAXIAL CABLE WITH FERRITE
Checked by		Item NO	<b>BKM-G series cable</b>
Approved by		Unit:	MM
Date	11.28.2013		

## X-ON Electronics

Largest Supplier of Electrical and Electronic Components

*Click to view similar products for [Specialised Cables](#) category:*

*Click to view products by [Goobay](#) manufacturer:*

Other Similar products are found below :

[GP-IE515546DS-002](#) [96CB-L2020PIB2](#) [1200740161](#) [R88ACAKA0015SRE](#) [R88ACAWL005SDE](#) [R88ACRGD0R3C](#) [1300660042](#)  
[1300660201](#) [1971465-2](#) [22733-8](#) [2R7004A20F060](#) [SSL009PC2DC012N](#) [FC2A-KC6C](#) [CCSFCBF2](#) [R7ACAB005S](#) [XS2WM12PUR4SA10M](#)  
[XS2WM12PVC4SA10M](#) [05AU05](#) [UCABLE](#) [10114734-2010LF](#) [XW2Z010H3](#) [XW2Z010H1](#) [5-1589827-8](#) [5-1589827-4](#) [861084-1](#)  
[XW2Z200JB24](#) [5-1589956-8](#) [CR4000A76M020](#) [1201140211](#) [1300140039](#) [CR4000A76M005](#) [CR4006A76M005](#) [10077488-N0550FDLF](#)  
[XW2ZRY150C](#) [I4JPBJLUXX100](#) [I4JPBJLUXX50](#) [CM06](#) [CM06W](#) [0243 009 05](#) [0243 009 20](#) [0243 009 36](#) [0243 009 26](#) [0243 009 33](#) [0243](#)  
[009 23](#) [0243 009 01](#) [0243 009 30](#) [0243 008 05](#) [0243 008 20](#) [0243 008 36](#) [0243 008 23](#)