

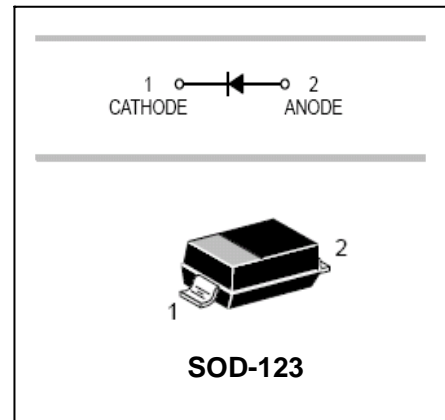
Surface mount switching diode **BAV19W/ BAV20W/ BAV21W**

FEATURES

- Fast Switching Speed.
- Surface Mount Package Ideally Suited For Automatic Insertion.
- For General Purpose Switching Applications.



Lead-free



APPLICATIONS

- Surface mount fast switching diode.

ORDERING INFORMATION

Type No.	Marking	Package Code
BAV19W	A8	SOD-123
BAV20W	T2	SOD-123
BAV21W	T3	SOD-123

MAXIMUM RATING @ Ta=25°C unless otherwise specified

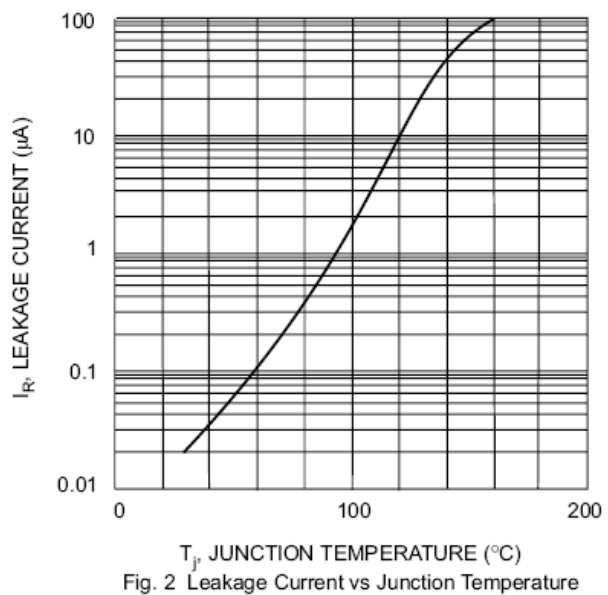
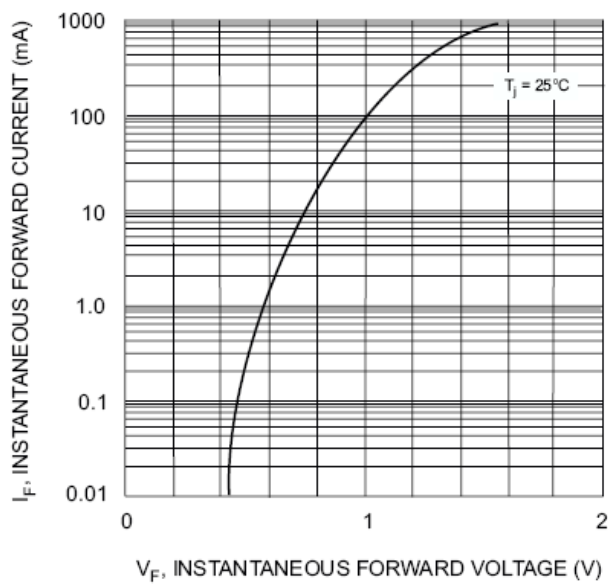
Characteristic	Symbol	BAV19W	BAV20W	BAV21W	Unit
Non-Repetitive Peak Reverse Voltage	V_{RM}	120	200	250	V
Peak Repetitive Reverse Voltage	V_{RRM}				
Working Peak Reverse Voltage	V_{RWM}	100	150	200	V
DC Reverse Voltage	V_R				
RMS Reverse Voltage	$V_{R(RMS)}$	71	106	141	V
Average Rectified Output Current	I_o	200			mA
Non-Repetitive Peak Forward Surge Current					
@t=1.0 μ s	I_{FSM}	2.5			A
@t=1.0 s		0.5			
Power Dissipation	P_d	250			mW
Thermal Resistance Junction to Ambient Air	$R_{\theta JA}$	500			°C/W
Operating and Storage Temperature Range	T_j, T_{STG}	-65 to +150			°C

ELECTRICAL CHARACTERISTICS @ Ta=25°C unless otherwise specified

Surface mount switching diode **BAV19W/ BAV20W/ BAV21W**

Characteristic	Symbol	Min	Max	Unit	Test Condition
Reverse Breakdown Voltage BAV19W BAV20W BAV21W	$V_{(BR)R}$	120 200 250		V	$I_R=100\mu A$
Maximum Forward Voltage	V_{F1} V_{F2}	-	1.0 1.25	V	$I_F=100mA$ $I_F=200mA$
Reverse Current BAV19W BAV20W BAV21W	I_R	-	0.1	μA	$V_R=100V$ $V_R=150V$ $V_R=200V$
Junction Capacitance	C_j	-	5.0	pF	$V_R=0, f=1.0MHz$
Reverse Recovery Time	t_{rr}	-	50	ns	$I_F=I_R=30mA,$ $I_{rr}=0.1 \times I_R, R_L=100\Omega$

TYPICAL CHARACTERISTICS @ $T_a=25^\circ C$ unless otherwise specified

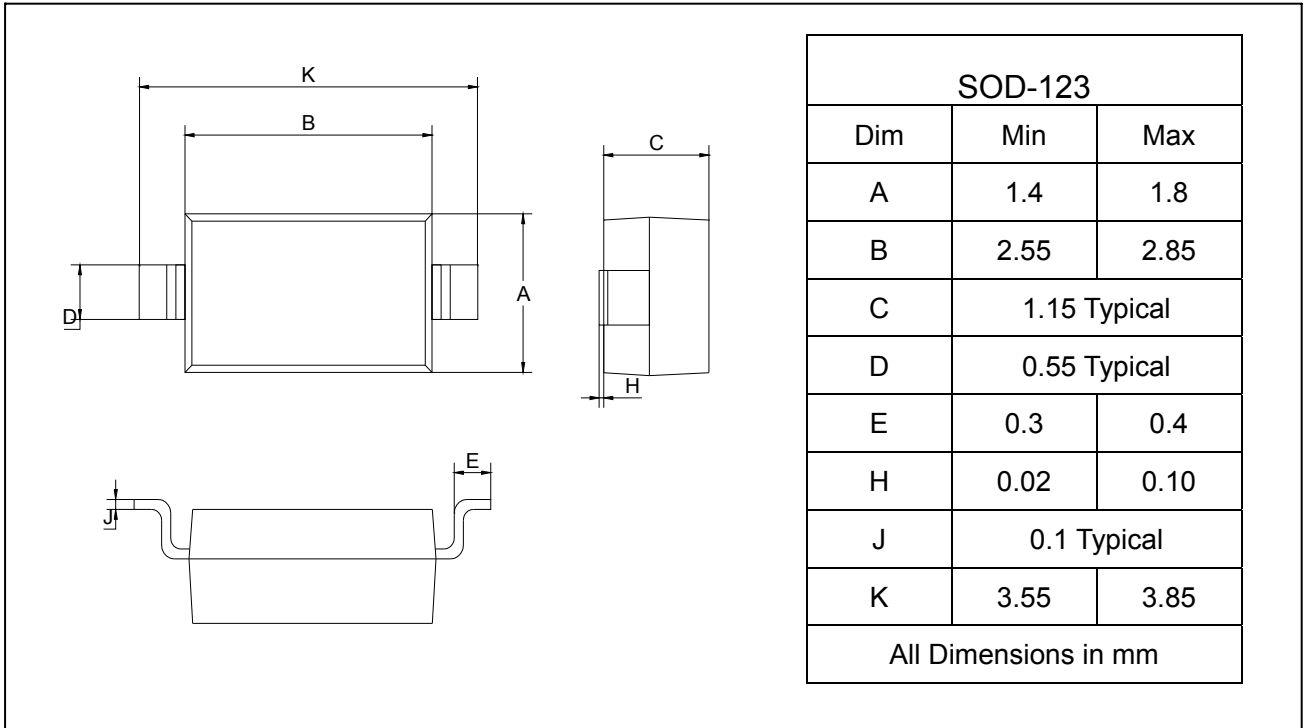


PACKAGE OUTLINE

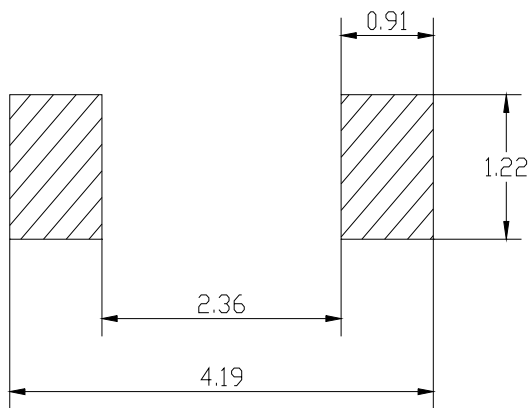
Surface mount switching diode **BAV19W/ BAV20W/ BAV21W**

Plastic surface mounted package

SOD-123



SOLDERING FOOTPRINT



Unit: mm

PACKAGE INFORMATION

Device	Package	Shipping
BAV19W/20W/21W	SOD-123	3000/Tape&Reel

X-ON Electronics

Largest Supplier of Electrical and Electronic Components

Click to view similar products for [Diodes - General Purpose, Power, Switching category:](#)

Click to view products by [Good-Ark manufacturer:](#)

Other Similar products are found below :

[MMBD3004S-13-F](#) [RD0306T-H](#) [DSE010-TR-E](#) [BAV17-TR](#) [BAV19-TR](#) [1N3611](#) [NTE156A](#) [NTE574](#) [NTE6244](#) [1SS181-TP](#) [1SS193,LF](#)
[1SS400CST2RA](#) [SDAA13](#) [SHN2D02FUTW1T1G](#) [LS4151GS08](#) [FC903-TR-E](#) [1N4449](#) [1N456A](#) [1N4934-E3/73](#) [1N914B](#) [1N914BTR](#)
[1SS226-TP](#) [RFUH20TB3S](#) [D291S45T](#) [BAV300-TR](#) [BAW56DWQ-7-F](#) [BAW75-TAP](#) [MM230L-CAA](#) [IDW40E65D1](#) [JAN1N3600](#) [LL4151-](#)
[GS18](#) [053684A](#) [SMMSD4148T3G](#) [707803H](#) [NSVDAN222T1G](#) [CDSZC01100-HF](#) [LL4150-M-08](#) [BAV199E6433HTMA1](#) [BAS28-7](#)
[BAW56HDW-13](#) [BAS28 TR](#) [VS-HFA04SD60STR-M3](#) [NSVM1MA152WKT1G](#) [RGP30D-E3/73](#) [BAV99TQ-13-F](#) [BAS21DWA-7](#) [NTE6250](#)
[NTE582-4](#) [NTE582-6](#) [MMDB30-E28X](#)