

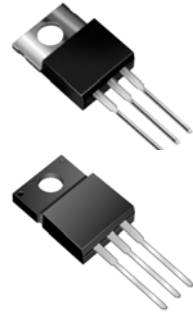


MBR20150CT, MBRF20150CT

Dual Common-Cathode High-Voltage Schottky Barrier Rectifiers
Reverse Voltage 150 Volts Forward Current 20.0 Amperes

Features

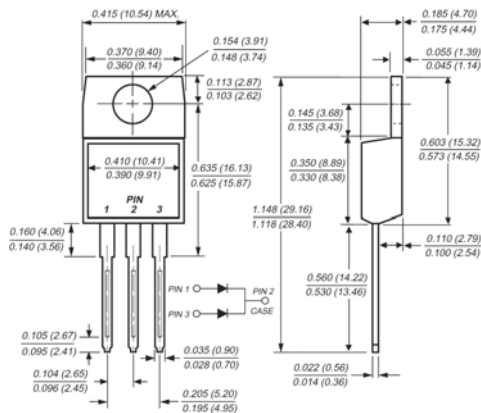
- ◆ Guardring for overvoltage protection
- ◆ Low power loss, high efficiency
- ◆ Low forward voltage drop
- ◆ High frequency operation
- ◆ Solder Dip 260 °C, 40 seconds
- ◆ For use in high frequency inverters, free wheeling and polarity protection applications



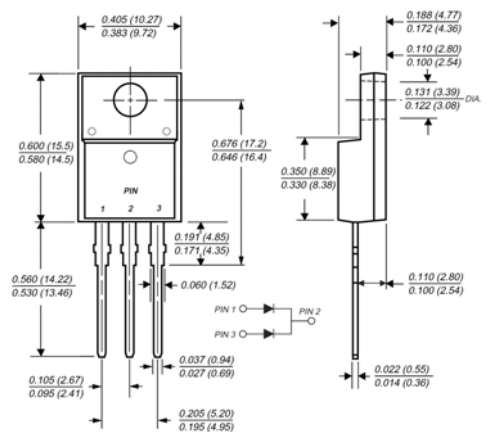
Mechanical Data

- ◆ Case: TO-220AB, ITO-220AB Epoxy meets UL-94V-0 Flammability rating
- ◆ Terminals: Matte Tin plated (E3 Suffix) leads, solderable per J-STD-002B and JESD22-B102D
- ◆ Mounting Torque: 10 in-lbs maximum
- ◆ Polarity: As marked
- ◆ Weight: 0.08 ounce, 2.24 grams

TO-220AB



ITO-220AB



Dimensions in inches and (millimeters)

Maximum Ratings and Electrical Characteristics

($T_C = 25^\circ\text{C}$ unless otherwise noted)

Parameter	Symbol	MBR20150CT	Unit
Maximum repetitive peak reverse voltage	V_{RRM}	150	Volts
Working peak reverse voltage	V_{RWM}	150	Volts
Maximum DC blocking voltage	V_{DC}	150	Volts
Maximum average forward rectified current (See Fig. 1)	Total device Per leg $I_{F(AV)}$	20 10	Amps
Peak forward surge current 8.3ms single half sine-wave superimposed on rated load (JEDEC Method) per leg	I_{FSM}	200	Amps
Peak repetitive reverse current per leg at $t_p = 2.0\mu\text{s}$, 1KHz	I_{RRM}	1.0	Amp
Voltage rate of change (rated V_R)	dv/dt	10,000	V/ μs
Maximum instantaneous forward voltage per leg (Note 4) at $I_F=10\text{A}$, $T_C=25^\circ\text{C}$ at $I_F=10\text{A}$, $T_C=125^\circ\text{C}$ at $I_F=20\text{A}$, $T_C=25^\circ\text{C}$ at $I_F=20\text{A}$, $T_C=125^\circ\text{C}$	V_F	0.90 0.75 0.99 0.86	Volt
Maximum reverse current per leg at working peak reverse voltage $T_J=25^\circ\text{C}$ $T_J=125^\circ\text{C}$	I_R	5.0 1.0	μA mA
Typical thermal resistance per leg	$R_{\theta JC}$	MBR 2.2 / MBRF 4.2	$^\circ\text{C/W}$
RMS Isolation voltage (MBRF type only) from terminals to heatsink with $t = 1.0$ second, $RH \leq 30\%$	V_{ISOL}	4500 (Note 1) 3500 (Note 2) 1500 (Note 3)	Volts
Operating junction and storage temperature range	T_J, T_{STG}	-55 to +150	$^\circ\text{C}$

- Notes:**
1. Clip mounting (on case), where lead does not overlap heatsink with 0.110" offset
 2. Clip mounting (on case), where leads do overlap heatsink
 3. Screw mounting with 4-40 screw, where washer diameter is < 4.9 mm (0.19")
 4. Pulse test: 300 μs pulse width, 1% duty cycle

RATINGS AND CHARACTERISTIC CURVES

($T_A = 25^\circ\text{C}$ unless otherwise noted)

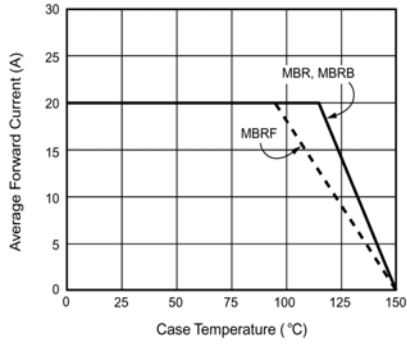


Figure 1. Forward Derating Curve (Total)

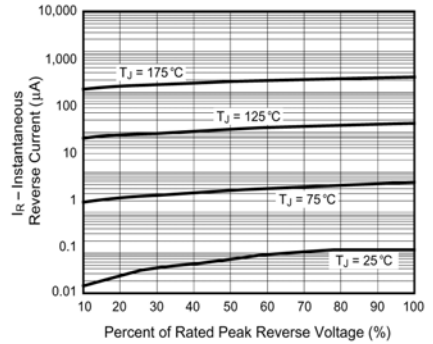


Figure 4. Typical Reverse Characteristics Per Leg

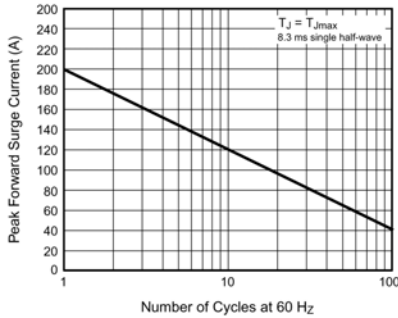


Figure 2. Maximum Non-Repetitive Peak Forward Surge Current Per Leg

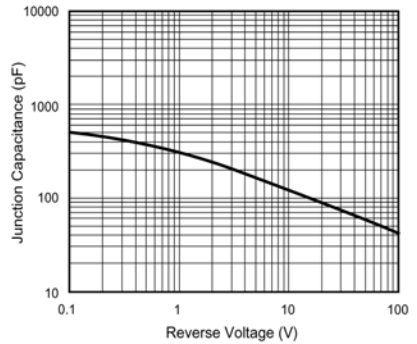


Figure 5. Typical Junction Capacitance

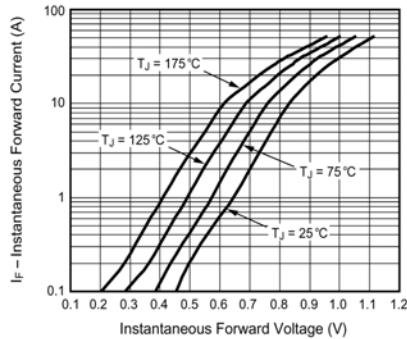


Figure 3. Typical Instantaneous Forward Characteristics Per Leg

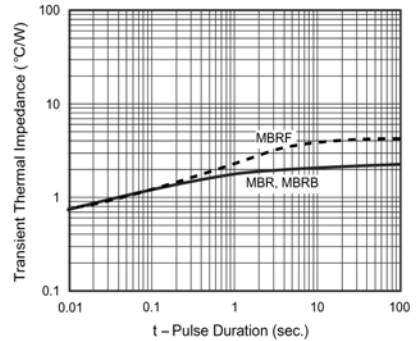


Figure 6. Typical Transient Thermal Impedance Per Leg

X-ON Electronics

Largest Supplier of Electrical and Electronic Components

Click to view similar products for [Schottky Diodes & Rectifiers](#) category:

Click to view products by [Good-Ark](#) manufacturer:

Other Similar products are found below :

[MA4E2039](#) [MA4E2508M-1112](#) [MBR10100CT-BP](#) [MBR1545CT](#) [MMBD301M3T5G](#) [GS1JE-TP](#) [RB160M-50TR](#) [BAS 3010S-02LRH E6327](#)
[BAT 54-02LRH E6327](#) [NSR05F40QNXT5G](#) [NSVR05F40NXT5G](#) [NTE555](#) [JANS1N6640](#) [SB07-03C-TB-H](#) [SB1003M3-TL-W](#)
[SBAT54CWT1G](#) [SBM30-03-TR-E](#) [SK310-T](#) [SK33A-TP](#) [SK34B-TP](#) [SS3003CH-TL-E](#) [PDS3100Q-7](#) [GA01SHT18](#) [CRS10I30A\(TE85L,QM](#)
[MA4E2501L-1290](#) [MBRB30H30CT-1G](#) [BAS 70-02L E6327](#) [DMJ3940-000](#) [SB007-03C-TB-E](#) [SB10015M-TL-E](#) [SB1003M3-TL-E](#) [SK32A-](#)
[TP](#) [SK33B-TP](#) [SK35A-TP](#) [SK38B-LTP](#) [SK38B-TP](#) [NRVBM120LT1G](#) [NTE505](#) [NTSB30U100CT-1G](#) [VS-6CWQ10FNHM3](#)
[CRG04\(T5L,TEMQ\)](#) [ACDBA1100LR-HF](#) [ACDBA1200-HF](#) [ACDBA140-HF](#) [ACDBA2100-HF](#) [ACDBA240-HF](#) [ACDBA3100-HF](#)
[CDBQC0530L-HF](#) [BAT54-13-F](#) [ACDBA340-HF](#)