



MAIN FEATURE

1. Miniature size with low power consumption for rated loading to 12A.
2. Surge Strength up to 10,000V.
3. Operating temperature up to 105°C.
4. Halogen Free series available.
5. UL Class F insulation available.
6. Comply with RoHS and REACH regulations.

CONTACT RATING

| Load Type | GQ (LM) | GQ (LM1) |
|----------------------------|-----------|-------------|
| Rated Load (Resistive) | 5A 250VAC | 10A 250VAC |
| | - | 12A 125VAC |
| | 5A 30VDC | 10A 30VDC |
| | - | 10A 277VAC |
| Contact Capacity | - | TV-5 120VAC |
| Rated Carrying Current | 5A | 10A |
| Max. Allowable Voltage | AC 250V | AC 250V |
| | DC 30V | DC 30V |
| Max. Allowable Current | 5A | 12A |
| Max. Allowable Power Force | 1,250VA | 2,500VA |
| | 150W | 300W |
| Contact Material | Ag Alloy | Ag Alloy |
| Contact Form | SPST | SPST |

APPLICATION

Domestic Appliances, Office Machines, Audio Equipment, etc.

PERFORMANCE (AT INITIAL VALUE)

- Contact Resistance 100mΩ Max. @1A,6VDC
- Operate Time..... 10mSec. Max.
- Release Time 5 mSec. Max.
- Dielectric Strength:
 - Between Coil & Contact..... 4,000VAC at 50/60 Hz for one minute
 - Between Contacts 1,000VAC at 50/60 Hz For one minute
- Surge Strength 10,000V (between coil & contact 1.2x50μSec.)
- Insulation Resistance 100 MegaΩ Min. at 500VDC
- Max. On/Off Switching:
 - Electrical 6 Cycles per Minute
 - Mechanical..... 300 Cycles per Minute
- Temperature Range -40~+105°C
- Humidity Range 45~85% RH.
- Coil Temperature Rise 40°C Max.

- Vibration:
 - Destruction 10 to 55 to 10 Hz, 0.75 mm single amplitude (1.5mm double amplitude)
 - Malfunction 10 to 55 to 10 Hz, 0.75 mm single amplitude (1.5mm double amplitude)
- Shock:
 - Destruction 1,000 m/S²
 - Malfunction 100 m/S²
- Life Expectancy:
 - Mechanical..... 10⁷ Operations at no Load condition
 - Electrical 10⁵ Operations at Rated Resistive Load
 - 2.5x10⁴ Operations at TV Rated Load
- Weight..... About 9.0 g

SAFETY STANDARD & FILE NUMBER

- LM:
 - UL & C-UL..... E141060
 - TÜV R50121172
 - VDE 40025456
- LM1:
 - UL & C-UL E141060
 - TÜV R50121172
 - CQC..... 14002112636

COIL SPECIFICATION (AT 20°C)

| Coil Sensitivity | Nominal Voltage (VDC) | Nominal Current (mA) | Coil Resistance ($\Omega \pm 10\%$) | Power Consumption (W) | Pull-In Voltage (VDC) | Drop-Out Voltage (VDC) | Maximum Allowable Voltage (VDC) |
|------------------|-----------------------|----------------------|---------------------------------------|-----------------------|-----------------------|------------------------|---------------------------------|
| GQ | 3 | 67 | 45 | Abt. 0.20 | 80% Maximum | 5% Minimum | 110% |
| | 5 | 40 | 125 | | | | |
| | 6 | 33.3 | 180 | | | | |
| | 9 | 22.5 | 400 | | | | |
| | 12 | 16.7 | 720 | | | | |
| | 15 | 13.3 | 1,125 | | | | |
| | 18 | 11.1 | 1,620 | | | | |
| | 24 | 8.3 | 2,880 | | | | |
| | 48 | 4.2 | 11,520 | | | | |

ORDERING INFORMATION

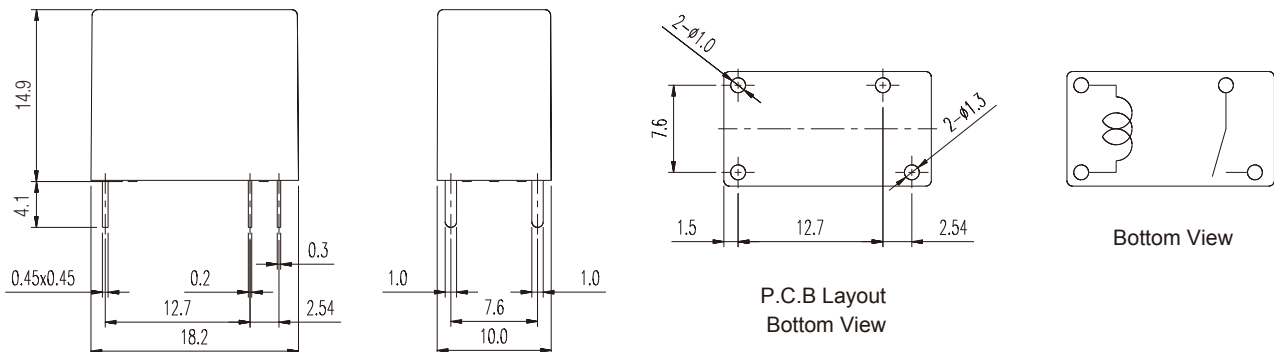
GQ - SS - 1 12 L M 1 F

| | | |
|--|--------------------------------|--|
| | Insulation System: | Nil: Standard Class F: Class F |
| | Rated Carrying Current: | Nil: 5A 1: 10A |
| | Contact Form: | M: One Form A |
| | Coil Sensitivity: | L: High DC |
| | Coil Voltage: | 03: 3V, 05: 5V, 06: 6V, 09: 9V, 12: 12V 15: 15V, 18: 18V, 24: 24V, 48: 48V |
| | Number of Pole: | 1: One Pole |
| | Type of Sealing: | SS: RT II Flux Proofed SH: RT III Wash Tight |
| | Type: | GQ |

CLASSIFICATION

| Model | GQ | |
|------------------------|-------------|----------------|
| Rated Carrying Current | 5A | 10A |
| Flux Proofed | GQ-SS-1□□LM | GQ-SS-1□□LM1/F |
| Wash Tight | GQ-SH-1□□LM | GQ-SH-1□□LM1/F |

DIMENSION (≤ 5mm ± 0.2mm, > 5mm ± 0.3mm, the tolerance of PCB thru hole: +0.1mm)



X-ON Electronics

Largest Supplier of Electrical and Electronic Components

Click to view similar products for [General Purpose Relays](#) category:

Click to view products by [Goodsky](#) manufacturer:

Other Similar products are found below :

[PCN-105D3MH,000](#) [59641F200](#) [5JO-1000CD-SIL](#) [5X827E](#) [5X837F](#) [5X840F](#) [5X842F](#) [5X848E](#) [LY2N-AC120](#) [LY2S-AC220/240](#) [LY2-US-AC120](#) [LY2-US-DC24](#) [LY3-US-AC120](#) [LY4F-UA-DC12](#) [LY4F-UA-DC24](#) [LY4F-US-AC120](#) [LY4F-US-AC240](#) [LY4F-US-DC24](#) [LY4F-VD-AC110](#) [LYQ20DC12](#) [M115C60](#) [M115N010](#) [M115N0150](#) [603-12D](#) [60HE1-5DC](#) [60HE2S-12DC](#) [61211T0B4](#) [61212T400](#) [61222Q400](#) [61243B600](#) [61243C500](#) [61243Q400](#) [61311BOA2](#) [61311BOA6](#) [61311BOA8](#) [61311C0A2](#) [61311COA1](#) [61311COA6](#) [61311F0A2](#) [61311QOA1](#) [61311QOA4](#) [61311T0D6](#) [61311TOA6](#) [61311TOA7](#) [61311TOB3](#) [61311TOB4](#) [61311U0A6](#) [61312Q600](#) [61312T400](#) [61312T600](#)