

MAIN FEATURE

1. Gold Silver alloy contact good for low switching application.
2. 2.54mm terminal pitch employment equivalent to I.C. Terminal.
3. Different types of coil sensitivity available to meet user's selection.
4. Plastic epoxy resin sealed type for washing procedure.
5. Comply with RoHS and REACH regulations.

CONTACT RATING

| Load Type | GS (D) | GS (T) | GS (L) |
|----------------------------|------------|------------|------------|
| Rated Load (Resistive) | 1A 120VAC | 1A 120VAC | 1A 120VAC |
| | 2A 24VDC | 2A 24VDC | 2A 24VDC |
| Rated Carrying Current | 2A | 2A | 2A |
| Max. Allowable Voltage | AC 120V | AC 120V | AC 120V |
| | DC 24V | DC 24V | DC 24V |
| Max. Allowable Current | 2A | 2A | 2A |
| Max. Allowable Power Force | 120VA | 120VA | 120VA |
| | 48W | 48W | 48W |
| Min. Switching Load | DC 1V, 1mA | DC 1V, 1mA | DC 1V, 1mA |
| Contact Material | Ag Alloy | Ag Alloy | Ag Alloy |
| Contact Form | DPDT | DPDT | DPDT |

APPLICATION

Telecommunication, Domestic Appliances,
Office Machine, Audio Equipment, Remote Control, etc

PERFORMANCE (AT INITIAL VALUE)

- Contact Resistance 100mΩ Max. @100mA, 6VDC
- Operate Time..... GS-D 6 mSec. Max.
GS-T/L 8 mSec. Max.
- Release Time 4 mSec. Max.
- Dielectric Strength:
Between Coil & Contact..... 1,000VAC at 50/60 Hz
for one minute
Between Contacts 500VAC at 50/60 Hz
for one minute
- Surge Strength 1,500V (between coil
& contact 1.2x50μSec.)
- Insulation Resistance 100 MegaΩ Min. at
500VDC
- Max. On/Off Switching:
Electrical 6 Cycles per Minute
Mechanical 300 Cycles per Minute

- Temperature Range..... -30~+80°C
- Humidity Range..... 45~85% RH.
- Coil Temperature Rise..... 25°C Max. (D Type)
20°C Max. (T /L Type)
- Vibration:
Destruction 10 to 55 to 10 Hz, 0.75 mm single
amplitude (1.5mm double amplitude)
Malfunction 10 to 55 to 10 Hz, 0.75 mm single
amplitude (1.5mm double amplitude)
- Shock:
Destruction 1,000 m/S²
Malfunction 100 m/S²
- Life Expectancy:
Mechanical..... 10⁷ Operations at No
Load condition
Electrical..... 10⁵ Operations at
Rated Resistive Load
- Weight About 4.8 g

SAFETY STANDARD & FILE NUMBER

- UL & C-UL E141060 (D,T only)

COIL SPECIFICATION (AT 20°C)

| Coil Sensitivity | Nominal Voltage (VDC) | Nominal Current (mA) | Coil Resistance ($\Omega \pm 10\%$) | Power Consumption (W) | Pull-In Voltage (VDC) | Drop-Out Voltage (VDC) | Maximum Allowable Voltage (VDC) |
|------------------|-----------------------|----------------------|---------------------------------------|-----------------------|-----------------------|------------------------|---------------------------------|
| GS - D | 3 | 120 | 25 | Abt. 0.36 | 75% Maximum | 10% Minimum | 150% |
| | 5 | 71.4 | 70 | | | | |
| | 6 | 60.0 | 100 | | | | |
| | 9 | 40.0 | 225 | | | | |
| | 12 | 30.0 | 400 | | | | |
| | 24 | 15.0 | 1,600 | | | | |
| GS - T | 3 | 66.7 | 45 | Abt. 0.20 | 75% Maximum | 10% Minimum | 150% |
| | 5 | 40.0 | 125 | | | | |
| | 6 | 33.3 | 180 | | | | |
| | 9 | 22.2 | 405 | | | | |
| | 12 | 16.7 | 720 | | | | |
| | 24 | 8.3 | 2,880 | | | | |
| GS - L | 3 | 50.0 | 60 | Abt. 0.15 | 80% Maximum | 10% Minimum | 150% |
| | 5 | 30.0 | 167 | | | | |
| | 6 | 25.0 | 240 | | | | |
| | 9 | 16.7 | 540 | | | | |
| | 12 | 12.5 | 960 | | | | |
| | 24 | 6.25 | 3840 | | | | |

ORDERING INFORMATION

GS - SH - 2 12 D

Coil Sensitivity:

D: Standard DC

T: Medium DC

L: High DC

Coil Voltage: 03: 3V, 05: 5V, 06: 6V, 09: 9V, 12: 12V, 24: 24V, 48: 48V

Number of Pole: 2: Two Poles

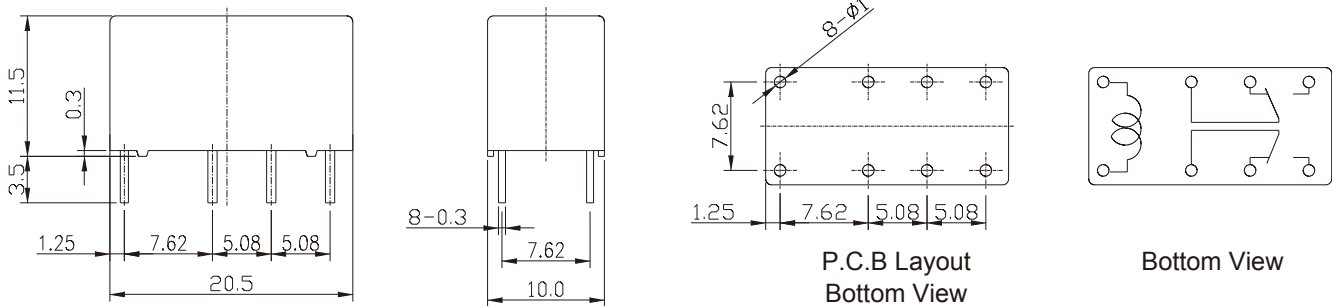
Type of Sealing: SH: RT III Wash Tight

Type: GS

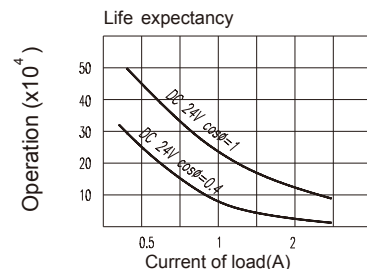
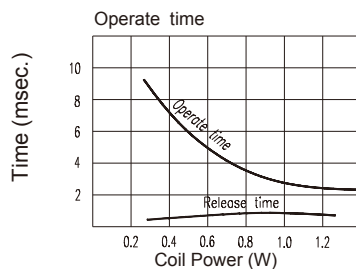
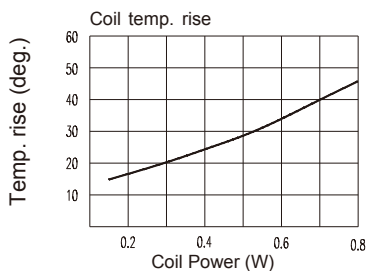
CLASSIFICATION

| Model | GS | | |
|------------------|-------------|------------|------------|
| Coil Sensitivity | Standard DC | Medium DC | High DC |
| Wash Tight | GS-SH-2□□D | GS-SH-2□□T | GS-SH-2□□L |

DIMENSION (≤ 5mm ± 0.2mm, > 5mm ± 0.3mm, the tolerance of PCB thru hole: +0.1mm)



REFERENCE DATA



X-ON Electronics

Largest Supplier of Electrical and Electronic Components

Click to view similar products for [General Purpose Relays](#) category:

Click to view products by [Goodsky](#) manufacturer:

Other Similar products are found below :

[APF30318](#) [JVN1AF-4.5V-F](#) [PCN-105D3MHZ](#) [5JO-10000S-SIL](#) [5JO-1000CD-SIL](#) [5JO-400CD-SIL](#) [LY2S-AC220/240](#) [LYQ20DC12](#)
[6031007G](#) [6131406HQ](#) [6-1393099-3](#) [6-1393099-8](#) [6-1393122-4](#) [6-1393123-2](#) [6-1393767-1](#) [6-1393843-7](#) [6-1415012-1](#) [6-1419102-2](#) [6-](#)
[1423698-4](#) [6-1608051-6](#) [6-1608067-0](#) [6-1616170-6](#) [6-1616248-2](#) [6-1616282-3](#) [6-1616348-2](#) [6-1616350-1](#) [6-1616350-8](#) [6-1616358-7](#) [6-](#)
[1616359-9](#) [6-1616360-9](#) [6-1616931-6](#) [6-1617039-1](#) [6-1617052-1](#) [6-1617090-2](#) [6-1617090-5](#) [6-1617347-5](#) [6-1617353-3](#) [6-1617801-8](#) [6-](#)
[1617802-2](#) [6-1618107-9](#) [6-1618248-4](#) [M83536/1-027M](#) [CX-4014](#) [MAHC-5494](#) [MAVCD-5419-6](#) [703XCX-120A](#) [7-1393100-5](#) [7-1393111-7](#)
[7-1393144-5](#) [7-1393767-8](#)