

Features

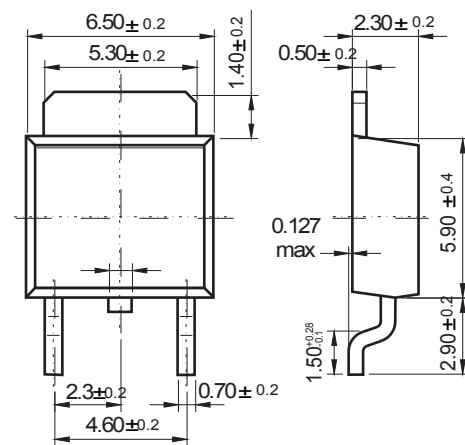
- Output Current up to 1.0A
- Output Voltages of 5V
- Thermal Overload Protection
- Short Circuit Protection
- Output Transistor Safe Operating area (SOA)Protection

Description

The 78M05 three-terminal positive regulators are available in the TO-252 package with several fixed output voltages making it useful in a wide range of applications.

TO-252

Unit: mm



Dimensions in inches and (millimeters)

Absolute Maximum Ratings

Parameter	Symbol	Value	Unit
Input Voltage	V_{IN}	35	V
Out put Voltage	V_O	5	V
Continuous total dissipation	P_D	1.25	W
Operating Temperature Range	T_{OPR}	0 ~ + 125	°C
Storage Temperature Range	T_{STG}	-55 ~ + 150	°C

78M05

Electrical Characteristics

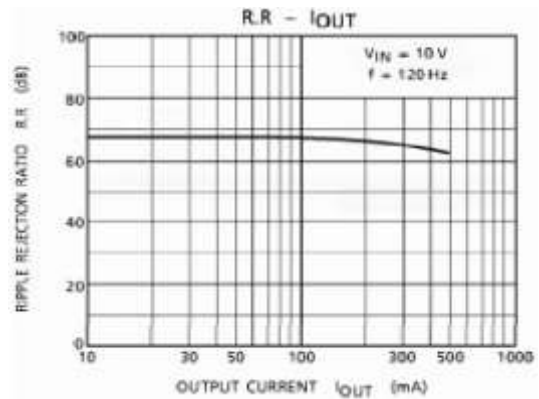
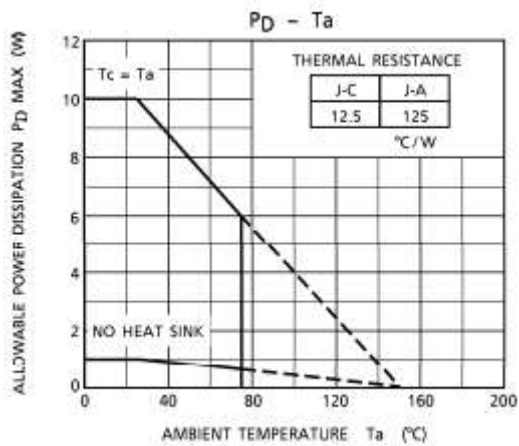
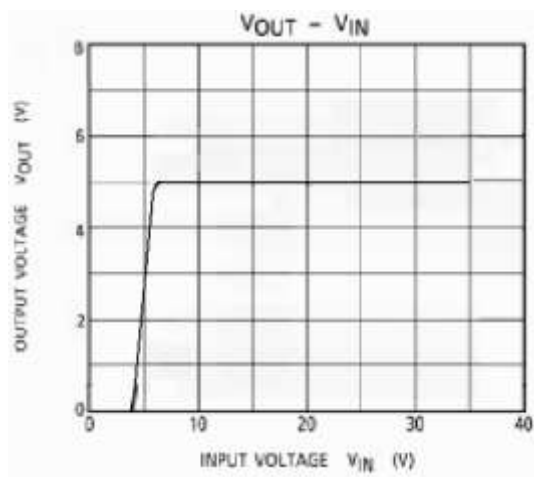
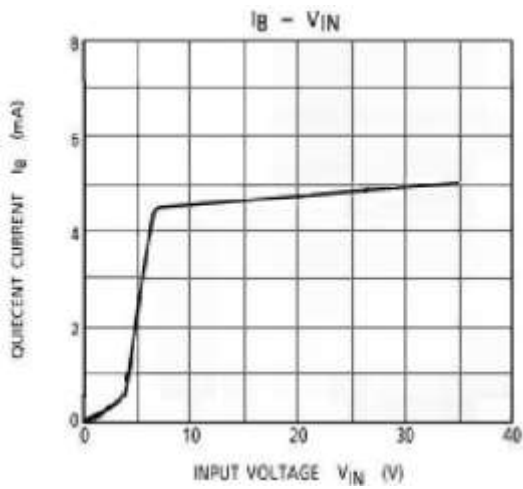
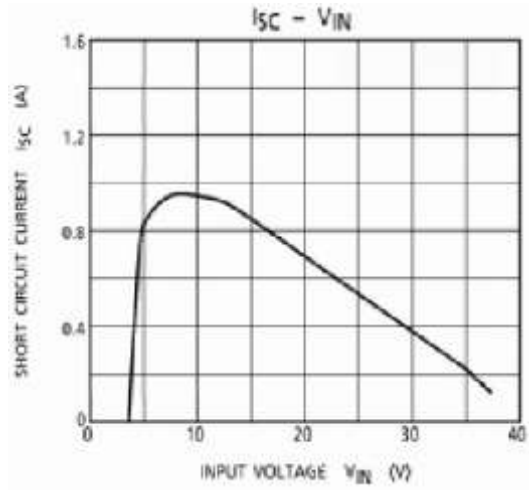
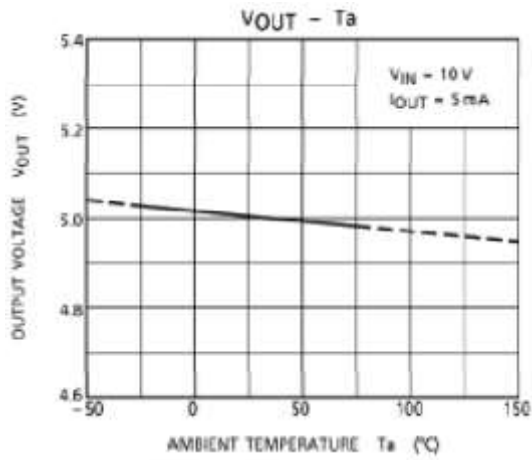
(Refer to the test circuits, $I_O=750\text{mA}$, $V_I=10\text{V}$, $C_I = 0.33\mu\text{F}$, $C_O=0.1\mu\text{F}$ unless otherwise specified)

Parameter	Symbol	Conditions	Value			Unit
			Min	Typ	Max	
		$T_j = 25^\circ\text{C}$	4.8		5.2	
Output Voltage	V_O	$V_I = 7 \sim 20\text{V}$ $I_O = 5 \sim 1\text{A}$	4.75	5	5.25	V
Line Regulation	ΔV_O	$T_j = 25^\circ\text{C}$	$V_I = 7 \sim 25\text{V}$		120	mV
			$V_I = 8 \sim 22\text{V}$		60	
Load Regulation	ΔV_O	$T_j = 25^\circ\text{C}$	$I_O = 5\text{mA} \sim 1\text{A}$		120	mV
			$I_O = 0.25\text{a} \sim 0.75\text{A}$		60	
Quiescent Current	I_Q	$T_j = 25^\circ\text{C}$			8	mA
Quiescent Current Change	ΔI_Q	$I_O = 5\text{mA} \sim 1\text{A}$ $V_I = 7 \sim 25\text{V}$			0.5	mA
					1.2	
Output Voltage Drift	$\Delta V/\Delta T$	$I_O = 5\text{mA}$ $T_j = 0 \text{ to } +125^\circ\text{C}$		-0.8		mV/°C
Output Noise Voltage	V_N	$10\text{Hz} \leq f \leq 100\text{KHz}$		40		μV
Ripple Rejection	RR	$f = 120\text{Hz}$, $I_O = 300\text{mA}$ $V_I = 8 \text{ to } 18\text{V}$	60			dB
Dropout Voltage	V_D	$T_j = +25^\circ\text{C}$, $I_O = 1\text{A}$		2		V
Short Circuit Current	I_{SC}	$T_j = +25^\circ\text{C}$, $V_I = 35\text{V}$		300		mA
Peak Current	I_{PK}			1.50		A

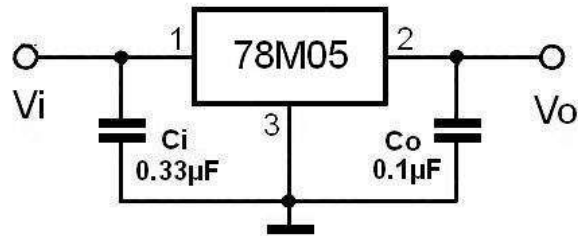
Notes:

*Load and line regulation are specified at constant junction temperature. Change in V_O due to heating effects must be taken into account separately. Pulse testing with low duty is used.

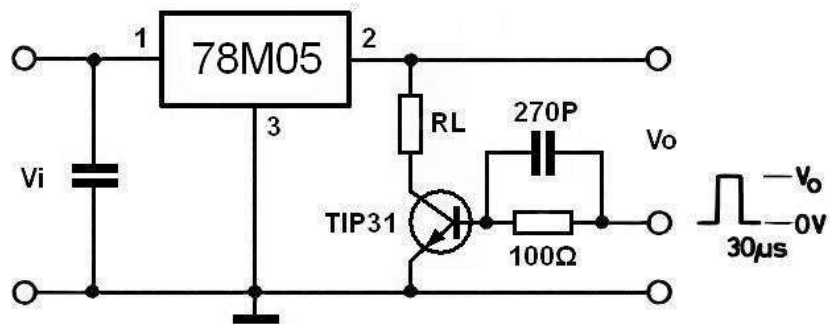
RATING AND CHARACTERISTIC CURVES (78M05)



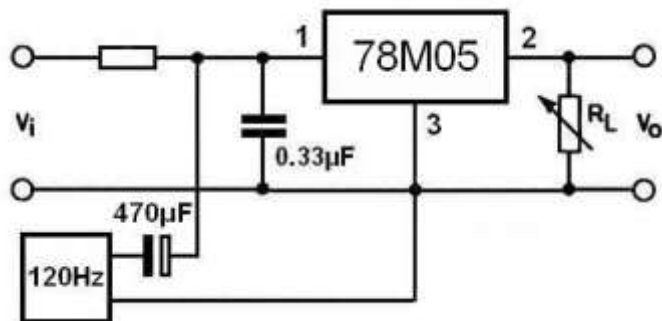
RATING AND CHARACTERISTIC CURVES (78M05)



DC Parameter



Load Regulation



Ripple Rejection

X-ON Electronics

Largest Supplier of Electrical and Electronic Components

Click to view similar products for [Linear Voltage Regulators](#) category:

Click to view products by [GOODWORK](#) manufacturer:

Other Similar products are found below :

[LV5684PVD-XH](#) [MCDTSA6-2R](#) [L7815ACV-DG](#) [LV56801P-E](#) [UA7805CKC](#) [714954EB](#) [ZMR500QFTA](#) [BA033LBSG2-TR](#)
[NCV78M05ABDTRKG](#) [LV5680P-E](#) [L79M05T-E](#) [L78LR05D-MA-E](#) [NCV317MBTG](#) [NTE7227](#) [MP2018GZD-33-P](#) [MP2018GZD-5-P](#)
[LV5680NPVC-XH](#) [ZTS6538SE](#) [UA78L09CLP](#) [UA78L09CLPR](#) [CAT6221-PPTD-GT3](#) [MC78M09CDTRK](#) [NCV51190MNTAG](#)
[BL1118CS8TR1833](#) [BL8563CKETR18](#) [BL8077CKETR33](#) [BL9153-33CC3TR](#) [BL9161G-15BADRN](#) [BL9161G-28BADRN](#)
[BRCO7530MMC](#) [CJ7815B-TFN-ARG](#) [LM317C](#) [GM7333K](#) [GM7350K](#) [XC6206P332MR](#) [HT7533](#) [LM7912S/TR](#) [LT1764S/TR](#) [LM7805T](#)
[LM338T](#) [LM1117IMP-3.3/TR](#) [HT1117AM-3.3](#) [HT7550S](#) [AMS1117-3.3](#) [HT7150S](#) [78L12](#) [HT7550](#) [HT7533-1](#) [HXY6206I-2.5](#) [HT7133](#)