

### FEATURE

- Low gate charge
- Low  $C_{iss}$
- Fast switching
- 100% avalanche tested
- Improved  $dv/dt$  capability

Maximum output current

$I_{OM}$ : 0.5 A

Output voltage

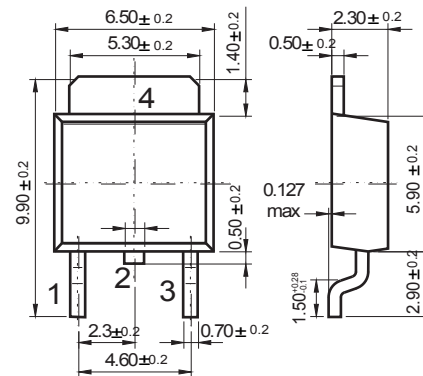
$V_O$ : 12V

Continuous total dissipation

$P_D$ : 1.25 W ( $T_a = 25^\circ\text{C}$ )

### TO-252-2(DAPK)

Unit: mm



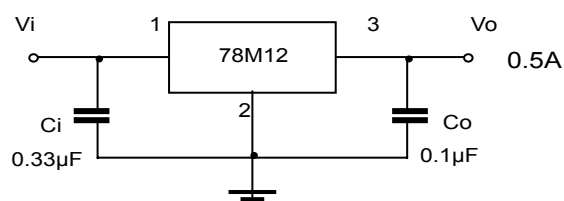
### ABSOLUTE MAXIMUM RATINGS (Operating temperature range applies unless otherwise specified)

Parameter	Symbol	Value	Unit
Input Voltage	$V_i$	35	V
Operating Junction Temperature Range	$T_{OPR}$	0-+125	$^\circ\text{C}$
Storage Temperature Range	$T_{STG}$	-65-+150	$^\circ\text{C}$

### ELECTRICAL CHARACTERISTICS ( $V_i=19\text{V}, I_o=350\text{mA}, C_i=0.33\mu\text{F}, C_o=0.1\mu\text{F}$ , unless otherwise specified)

Parameter	Symbol	Test conditions	Min	Typ	Max	Unit
Output Voltage	$V_o$	$25^\circ\text{C}$	11.5	12	12.5	V
		$14.5 \leq V_i \leq 27\text{V}, I_o=5\text{mA}-350\text{mA}$ $P_o \leq 1.25\text{W}$	0-125 $^\circ\text{C}$	11.4	12	12.6
Load Regulation	$\Delta V_o$	$I_o=5\text{mA}-500\text{mA}$	$25^\circ\text{C}$	25	240	mV
		$I_o=5\text{mA}-200\text{mA}$	$25^\circ\text{C}$	10	120	mV
Line Regulation	$\Delta V_o$	$14.5\text{V} \leq V_i \leq 30\text{V}, I_o=200\text{mA}$	$25^\circ\text{C}$	10	100	mV
		$16\text{V} \leq V_i \leq 30\text{V}, I_o=200\text{mA}$	$25^\circ\text{C}$	3	50	mV
Quiescent Current	$I_q$	$25^\circ\text{C}$		4.6	6	mA
Quiescent Current Change	$\Delta I_q$	$14.5\text{V} \leq V_i \leq 30\text{V}, I_o=200\text{mA}$	0-125 $^\circ\text{C}$		0.8	mA
		$5\text{mA} \leq I_o \leq 350\text{mA}$	0-125 $^\circ\text{C}$		0.5	mA
Output Noise Voltage	$V_N$	10Hz $\leq f \leq 100\text{KHz}$	$25^\circ\text{C}$	75		$\mu\text{V}$
Ripple Rejection	RR	$15 \leq V_i \leq 25\text{V}, f=120\text{Hz}, I_o=300\text{mA}$	0-125 $^\circ\text{C}$	55	80	dB
Dropout Voltage	$V_d$	$I_o=350\text{mA}$	$25^\circ\text{C}$	2		V
Short Circuit Current	$I_{sc}$	$V_i=19\text{V}$	$25^\circ\text{C}$	240		mA
Peak Current	$I_{pk}$	$25^\circ\text{C}$		0.7		A

### TYPICAL APPLICATION



## X-ON Electronics

Largest Supplier of Electrical and Electronic Components

*Click to view similar products for [Linear Voltage Regulators](#) category:*

*Click to view products by [GOODWORK](#) manufacturer:*

Other Similar products are found below :

[LV56831P-E](#) [LV5684PVD-XH](#) [MCDTSA6-2R](#) [L7815ACV-DG](#) [PQ3DZ53U](#) [LV56801P-E](#) [L78L05CZ/1SX](#) [L78LR05DL-MA-E](#) [636416C](#)  
[714954EB](#) [LV5680P-E](#) [L78M15CV-DG](#) [L79M05T-E](#) [MIC5283-5.0YML-T5](#) [TLS202A1MBVHTSA1](#) [L78LR05D-MA-E](#) [NCV317MBTG](#)  
[NTE7227](#) [MP2018GZD-33-P](#) [MP2018GZD-5-P](#) [LV5680NPVC-XH](#) [LT1054CN8](#) [MP2018GZD-5-Z](#) [MP2018GZD-33-Z](#) [AT55EL50ESE](#)  
[APL5934DKAI-TRG](#) [CL9193A15L5M](#) [CL9036A30F4M](#) [CL9036A18F4M](#) [CL9036A25F4M](#) [CL9036A28F4M](#) [CL9036A33F4M](#)  
[CL9906A18F4N](#) [CL9906A30F4N](#) [CL9908A30F4M](#) [CL9908A33F4M](#) [CL9908A18F4M](#) [CL9908A28F4M](#) [TL431ACM/TR](#) [TL431AIM/TR](#)  
[LM78L05ACM/TR](#) [HT7812ARMZ](#) [HT7805ARMZ](#) [HXY6206I-3.0](#) [HXY6206I-3.3](#) [XC6206P252MR](#) [XC6206P282MR](#) [XC6206P302MR](#)  
[XC6206P332MR](#) [CJ6211B12F](#)