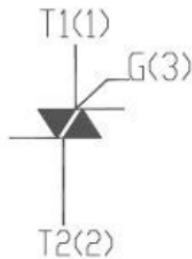




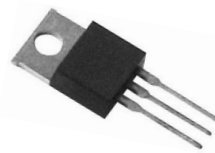
Features

- High current triac
- Low thermal resistance with clip bonding
- High commutation (4 quadrant) or very high commutation (3 quadrant) capability

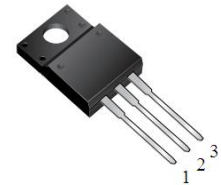


VOLTAGE RANGE 600/800 Volts

CURRENT 4 Ampere



TO-220AB



ITO-220AB



TO-252

MAXIMUM RATINGS AND ELECTRICAL CHARACTERISTICS

ELECTRICAL CHARACTERISTICS (T_j = 25°C, unless otherwise specified)

Symbol	Parameter	Conditions	Ratings	Unit
V _{DRM} V _{RDM}	Repetitive Peak Off-State Voltage	BT136-600	600	V
		BT136-800	800	
I _{T(RMS)}	R.M.S On-State Current	T _c =110°C	4	A
I _{TSM}	Surge On-State Current	tp=16.7ms/tp=10ms	25/27	A
I ² t	I ² t for fusing	Tp=10ms	3.1	A ² s
P _{G(AV)}	Average Gate Power Dissipation	T _j =125°C	1	W
I _{GM}	Peak Gate Current	tp=20us T _j =125°C	2	A
T _j	Operating Junction Temperature		~40~125	°C
T _{STG}	Storage Temperature		~40~150	°C

BT136

Electrical Characteristics (T_J=25°C unless otherwise specified)

Symbol	Parameter	Test Conditions	Value				Unit	
			D	E	F	G		
IDRM	Repetitive Peak Off-State Current	T _J =25°C	≤10				uA	
		T _J =125°C	≤0.5				mA	
IRRM	Repetitive Peak Reverse Current	T _J =25°C	≤10				uA	
		T _J =125°C	≤0.5				mA	
VTM	Forward "on" voltage	I _T =5A t _p =380us	≤1.7				V	
VGD	gate non-trigger voltage	V _D =12V, T _J =125°C	≥0.2				V	
IH	Holding current	I _T =100mA	≤10	≤25	≤30	≤60	mA	
VGT	Gate trigger voltage	V _D =12V	≤1.5				V	
IGT	Gate trigger current	V _D =12V, I _{GT} =0.1A	I,II,III	5	10	25	50	mA
			IV	10	25	70	100	mA
di/dt	Critical-rate of rise of commutation current.	I _T =6A , I _{GT} =0.2A, dI _G /dt=0.2A/us	≥50				A /us	
			≥10				A /us	
dv/dt	Critical-rate of rise of commutation voltage	T _J =125°C V _D =2/3V _{DRM} Gate	5	10	50	200	V/us	

RATING AND CHARACTERISTIC CURVES (BT136)

FIG.1: Maximum power dissipation versus RMS on-state current

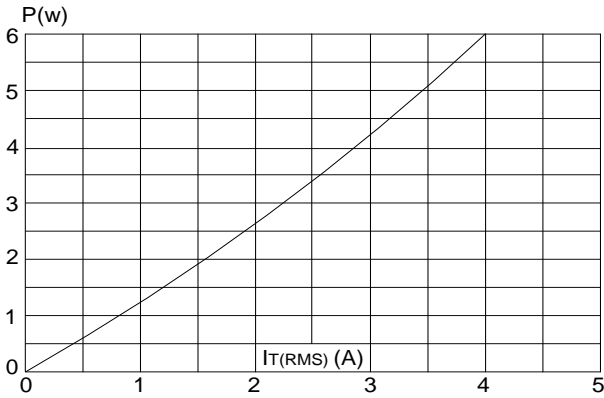


FIG.3: Surge peak on-state current versus number of cycles

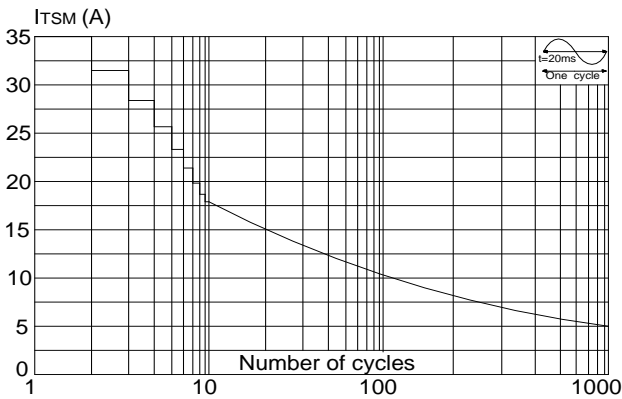


FIG.5: Non-repetitive surge peak on-state current for a sinusoidal pulse with width $t_p < 20\text{ms}$, and corresponding value of $I t$ ($di/dt^2 < 100\text{A}/\mu\text{s}$)

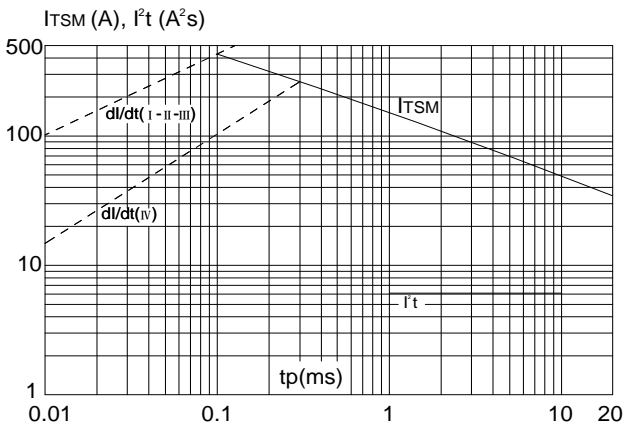


FIG.2: RMS on-state current versus case temperature

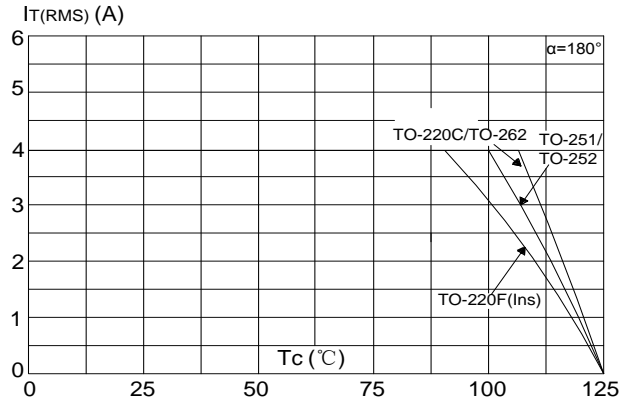


FIG.4: On-state characteristics (maximum values)

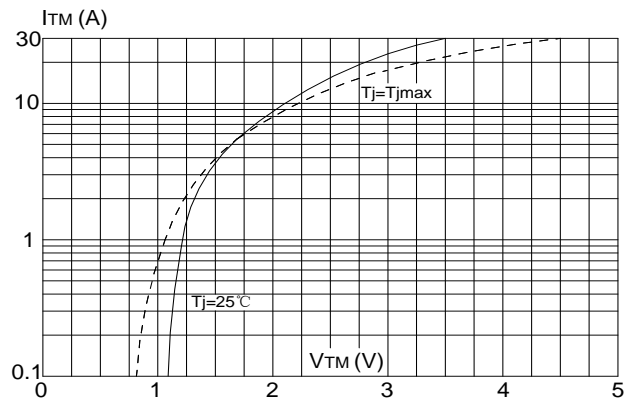
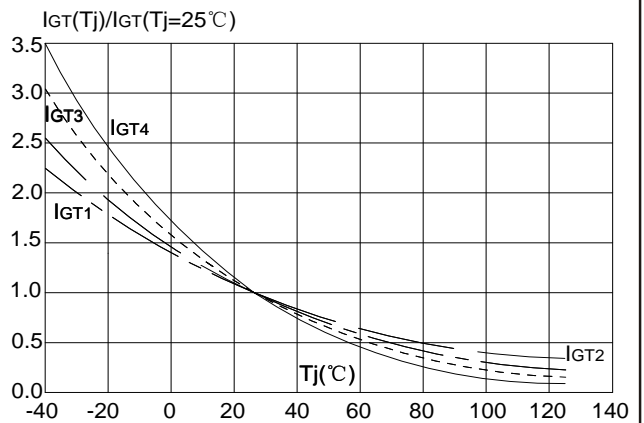


FIG.6: Relative variations of gate trigger current, holding current and latching current versus junction temperature



RATING AND CHARACTERISTIC CURVES (BT136)

FIG.7: Relative variations of holding current versus junction temperature

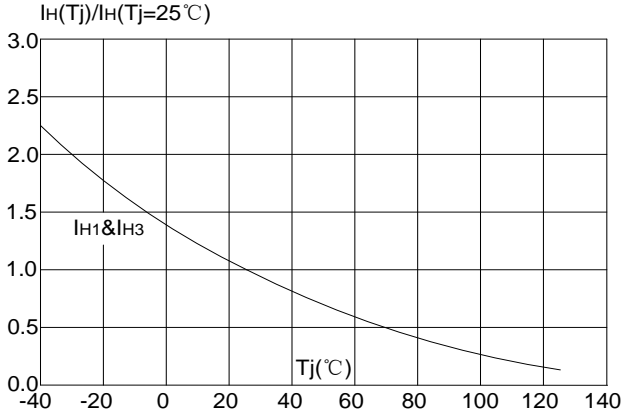
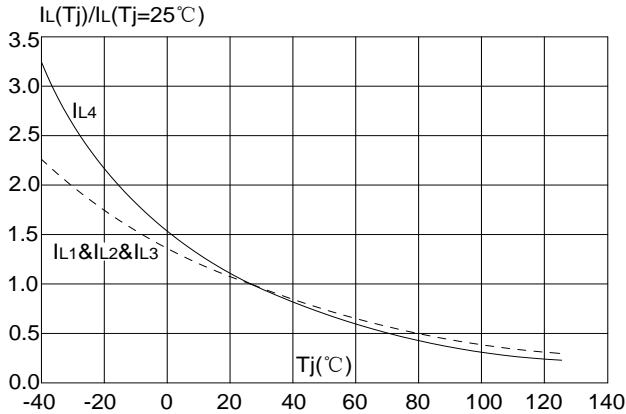
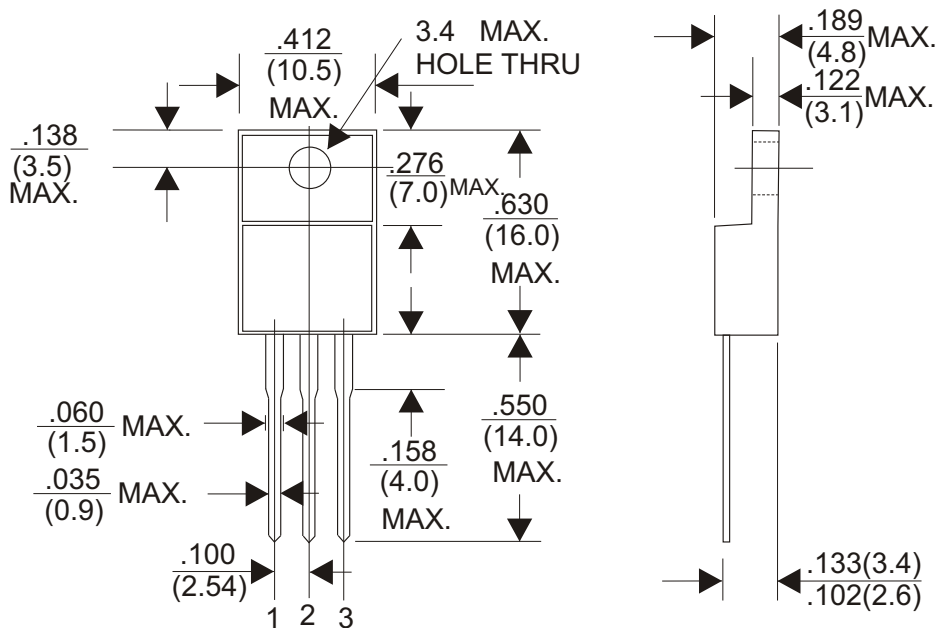


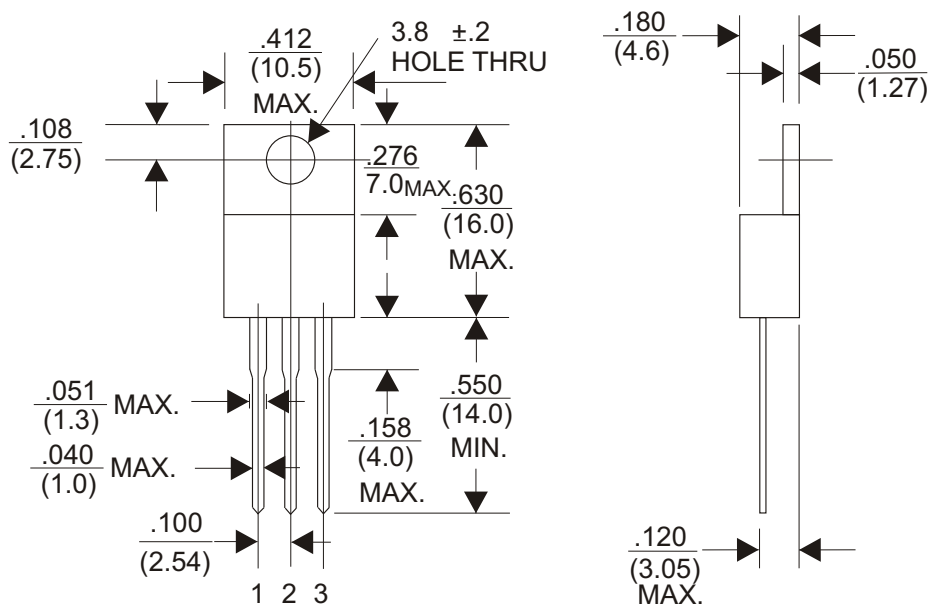
FIG.8: Relative variations of latching current versus junction temperature



ITO-220AB

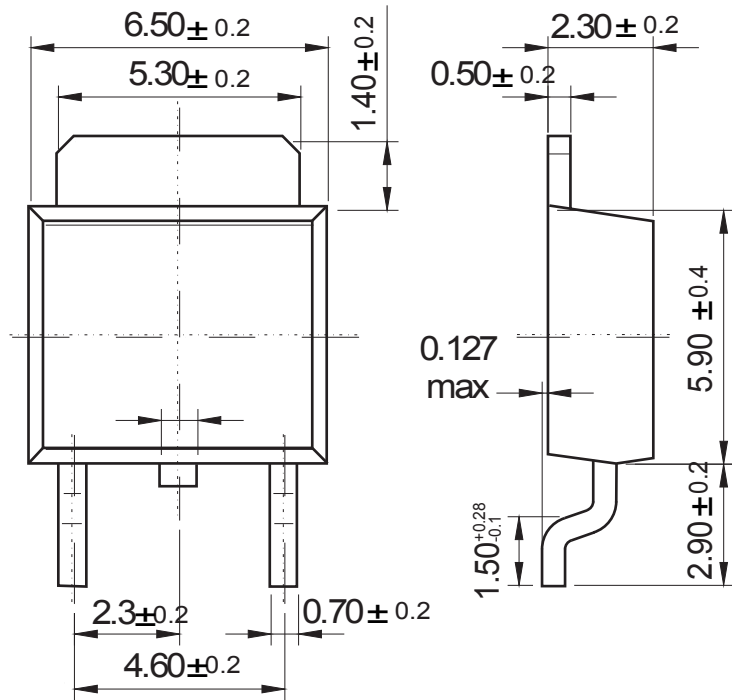


TO-220AB



TO-252

Unit: mm



Dimensions in inches and (millimeters)

X-ON Electronics

Largest Supplier of Electrical and Electronic Components

Click to view similar products for [Triacs](#) category:

Click to view products by [GOODWORK](#) manufacturer:

Other Similar products are found below :

[BT137-600-0Q](#) [2N6075A](#) [NTE5688](#) [D31410](#) [ACS102-5T1](#) [ACS102-5TA](#) [MAC97A4G](#) [Z0107MAG](#) [Z0107MARL1G](#) [Z0109MARLRPG](#)
[BTA316-800ET,127](#) [BTA316-800CTQ](#) [ACTT8X-800CTNQ](#) [MCR22-6G](#) [BTA16-800B\(MS\)](#) [TYN1025RG-JSM](#) [BT138-600D](#) [BTA26-800BRG](#) [BT138-600E](#) [BTA24-600CWRG](#) [BTA16-800CWRG](#) [BT138-600E](#) [BTA08-800CW](#) [BTB24-800CW](#) [BTA16-800CW](#) [BTA16-600CW](#) [BT169](#) [MCR100-6U](#) [FT10050-12P](#) [BT136-800E](#) [BT136S](#) [PCR606J](#) [CT404D-800S](#) [JST24A-800CW](#) [JST60IS-1600BW](#)
[TYN810RG-JSM](#) [BT139B-600E-JSM](#) [TYN812RG-JSM](#) [BTB16-800BRG-JSM](#) [BTA20-800CRG TO-220](#) [BTA16-800BRG](#) [BTW69-1200RG](#)
[TYN825RG-JSM](#) [BTA12-600CRG](#) [BT136-600E](#) [BTA12-600BRG](#) [BT139-600E](#) [BTA24-800CRG TO-220](#) [BTA16-800BWRG](#) [BTA26-600BWRG](#)