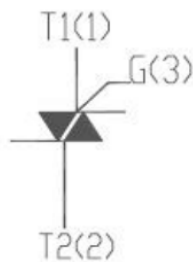




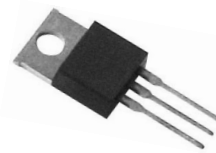
### Features

- High current triac
- Low thermal resistance with clip bonding
- High commutation (4 quadrant) or very high commutation (3 quadrant) capability

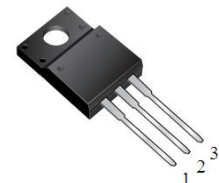


VOLTAGE RANGE 600/800 Volts

CURRENT 12 Ampere



TO-220AB



ITO-220AB



TO-252

## MAXIMUM RATINGS AND ELECTRICAL CHARACTERISTICS

### ELECTRICAL CHARACTERISTICS (T<sub>j</sub> = 25°C, unless otherwise specified)

Symbol	Parameter	Conditions	Ratings	Unit
VDRM VRRM	Repetitive Peak Off-State Voltage	BT138-600	600	V
		BT138-800	800	V
IT(RMS)	R.M.S On-State Current	T <sub>c</sub> =110°C	12	A
ITSM	Surge On-State Current	tp=16.7ms/tp=10ms	115/120	A
I <sup>2</sup> t	I <sup>2</sup> t for fusing	T <sub>p</sub> =10ms	70	A <sup>2</sup> s
PG(AV)	Average Gate Power Dissipation	T <sub>j</sub> =125°C	1	W
IGM	Peak Gate Current	tp=20us T <sub>j</sub> =125°C	4	A
T <sub>j</sub>	Operating Junction Temperature		~40~125	°C
TSTG	Storage Temperature		~40~150	°C

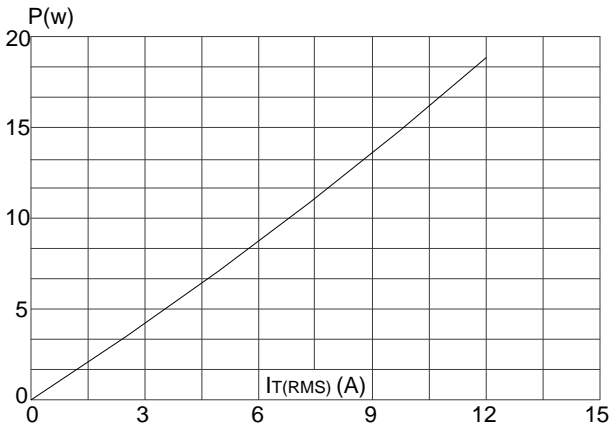
# BT138

## Electrical Characteristics (T<sub>J</sub>=25°C unless otherwise specified)

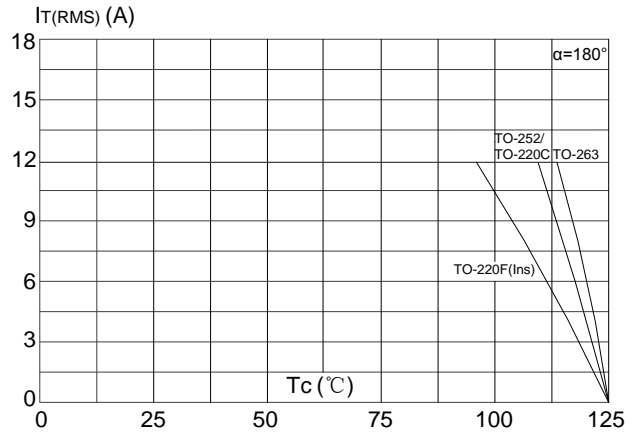
Symbol	Parameter	Test Conditions	Value				Unit	
			D	E	F	G		
IDRM	Repetitive Peak Off-State Current	T <sub>J</sub> =25°C	≤5				uA	
		T <sub>J</sub> =125°C	≤1				mA	
IRRM	Repetitive Peak Reverse Current	T <sub>J</sub> =25°C	≤5				uA	
		T <sub>J</sub> =125°C	≤1				mA	
VTM	Forward "on" voltage	I <sub>T</sub> =35A t <sub>p</sub> =380us	≤1.55				V	
VGT	Gate trigger voltage	V <sub>D</sub> =12V ,R <sub>L</sub> =30Ω	≤1.5				V	
di/dt	Critical-rate of rise of commutation current.	I, II, III	T <sub>J</sub> =125°C ,I <sub>G</sub> =2XIGT, tr ≤100ns, F=100Hz				≥50	A /us
		IV					≥10	A /us
IGT	Gate trigger current	I, II, III VD=12V RL=30Ω	≤5	≤10	≤25	≤50	mA	
			≤10	≤25	≤70	≤100	mA	
IH	Holding current	I <sub>T</sub> =0.2A	≤10	≤25	≤30	≤60	mA	
VGD	Gate non-trigger voltage	ALL V <sub>D</sub> =V <sub>DRM</sub> T <sub>J</sub> =125°C, R <sub>L</sub> =3.3KΩ	≥0.2				V	
dv/dt	Critical-rate of rise of commutation voltage	T <sub>J</sub> =125°C V <sub>D</sub> =2/3V <sub>DRM</sub> Gate	≥5	≥10	≥50	≥200	V/us	

## RATING AND CHARACTERISTIC CURVES (BT138)

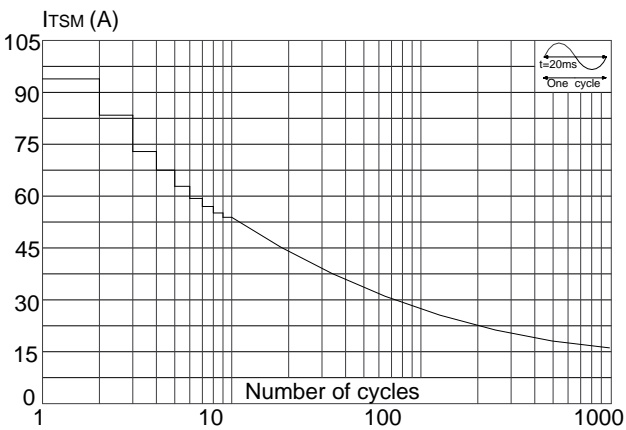
**FIG.6:** Maximum power dissipation versus RMS on-state current



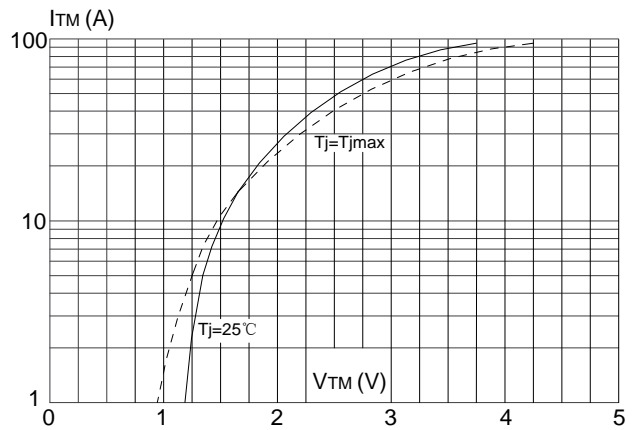
**FIG.6:** RMS on-state current versus case temperature



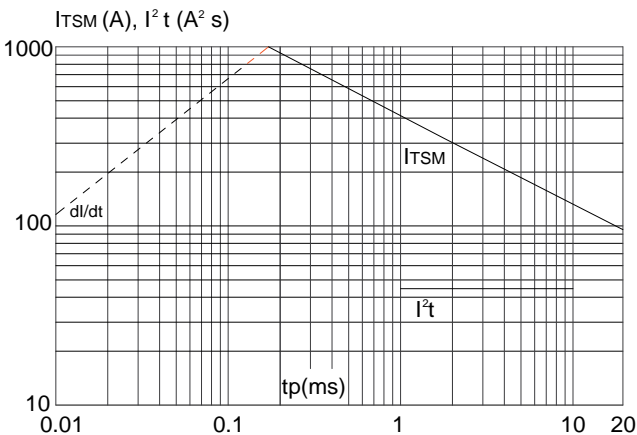
**FIG.6:** Surge peak on-state current versus number of cycles



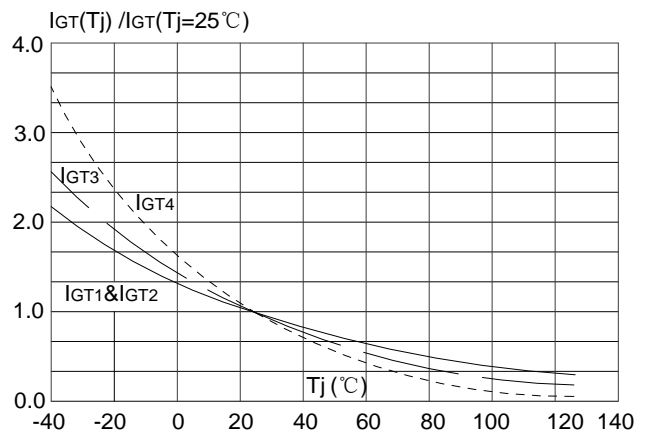
**FIG.6:** On-state characteristics (maximum values)



**FIG.6:** Non-repetitive surge peak on-state current for a sinusoidal pulse with width  $t_p < 20\text{ms}$ , and corresponding value of  $I^2 t$  ( $di/dt < 100\text{A}/\mu\text{s}$ )

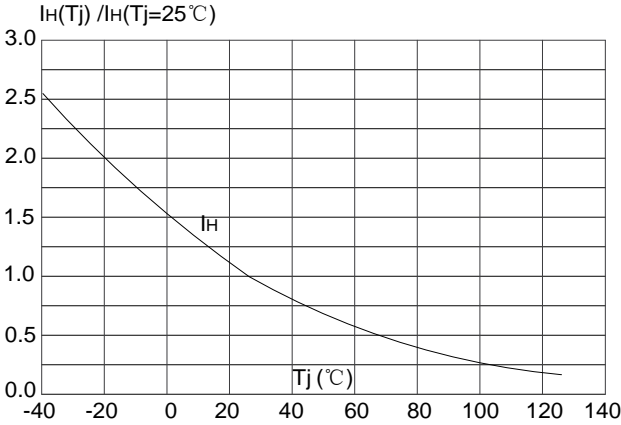


**FIG.6:** Relative variations of gate trigger current, holding current and latching current versus junction temperature

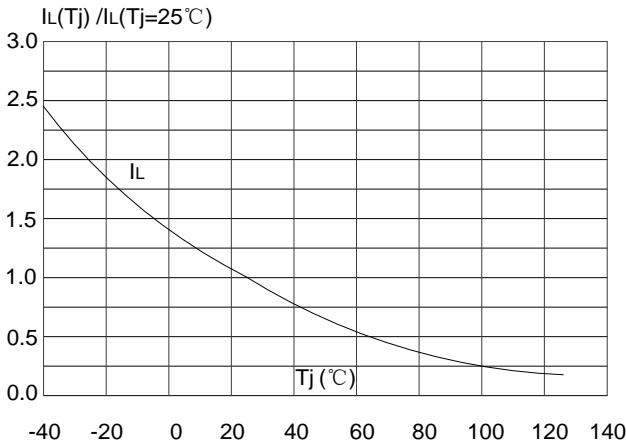


RATING AND CHARACTERISTIC CURVES (BT138)

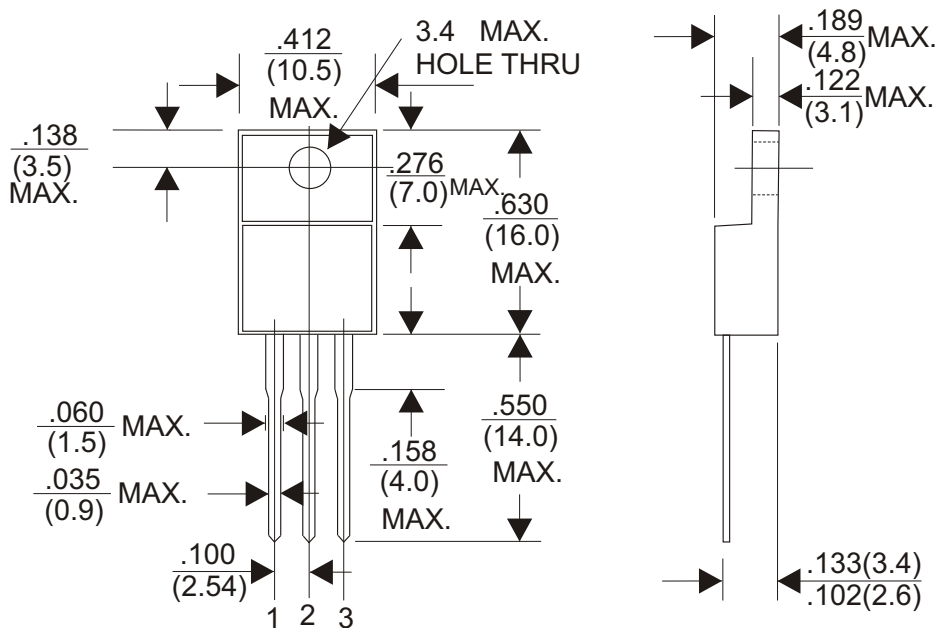
**FIG.7:** Relative variations of holding current versus junction temperature



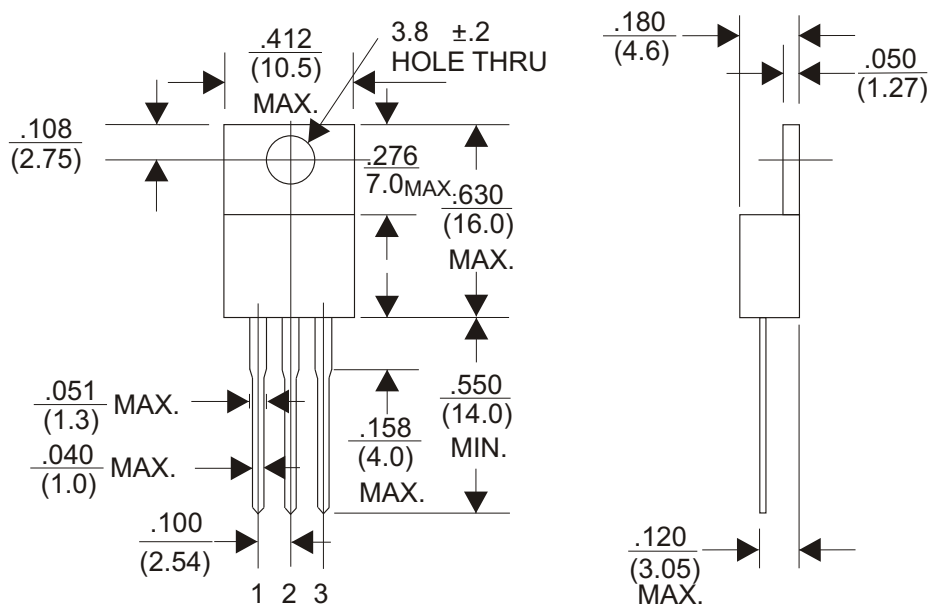
**FIG.8:** Relative variations of latching current versus junction temperature



### ITO-220AB

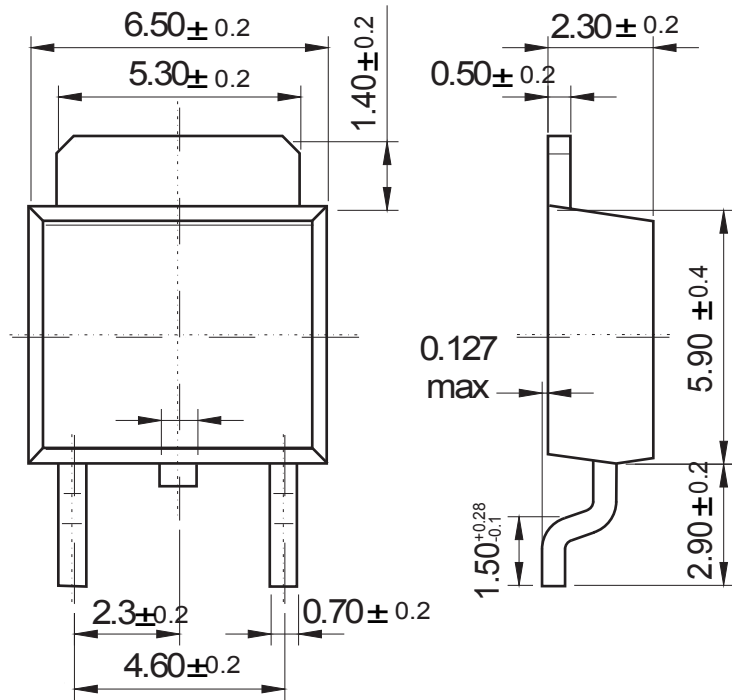


### TO-220AB



# TO-252

Unit: mm



Dimensions in inches and (millimeters)

## X-ON Electronics

Largest Supplier of Electrical and Electronic Components

*Click to view similar products for [Triacs](#) category:*

*Click to view products by [GOODWORK](#) manufacturer:*

Other Similar products are found below :

[BT137-600-0Q](#) [2N6075A](#) [NTE5688](#) [D31410](#) [ACS102-5T1](#) [ACS102-5TA](#) [MAC97A4G](#) [Z0107MAG](#) [Z0107MARL1G](#) [Z0109MARLRPG](#)  
[BTA316-800ET,127](#) [BTA316-800CTQ](#) [ACTT8X-800CTNQ](#) [MCR22-6G](#) [BTA16-800B\(MS\)](#) [TYN1025RG-JSM](#) [BT138-600D](#) [BTA26-800BRG](#) [BT138-600E](#) [BTA24-600CWRG](#) [BTA16-800CWRG](#) [BT138-600E](#) [BTA08-800CW](#) [BTB24-800CW](#) [BTA16-800CW](#) [BTA16-600CW](#) [BT169](#) [MCR100-6U](#) [FT10050-12P](#) [BT151S-600R](#) [BT136-800E](#) [BT136S](#) [PCR606J](#) [CT404D-800S](#) [JST24A-800CW](#) [JST60IS-1600BW](#) [TYN810RG-JSM](#) [BT139B-600E-JSM](#) [TYN812RG-JSM](#) [BT152-800R](#) [BTB16-800BRG-JSM](#) [BTA20-800CRG TO-220](#) [BTA16-800BRG](#) [BTW69-1200RG](#) [TYN825RG-JSM](#) [BTA12-600CRG](#) [BT136-600E](#) [BTA12-600BRG](#) [BT139-600E](#) [BTA24-800CRG TO-220](#)