

# LABKON P Series

## Laboratory Power Supplies

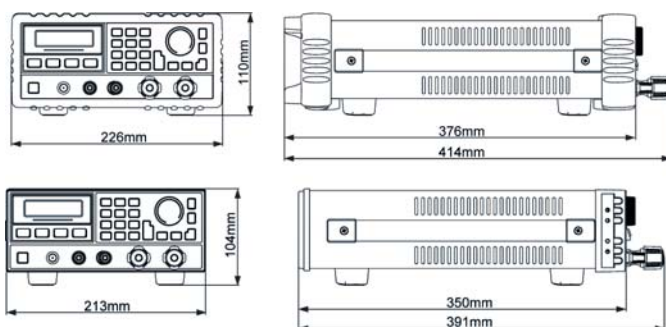
3-349-888-03  
4/12.20

- Power: 500 W or 800 W, respectively
- Voltage up to 120 V, current up to 40 A
- Modes: CV and CC, automatic switching
- Voltage and current continuously adjustable from 0 up to nominal output
- Several parameter groups (instrument settings) can be saved and retrieved.
- Floating output / no grounding
- High efficiency
- Safe DC isolation
- Output ON/OFF
- Supports SCPI commands
- Manually programmable via keyboard and rotary encoder
- Multifunctional LCD display
- Protective circuits, e. g. overvoltage protection
- Sense functionality
- Benchtop unit, can be installed into 19" rack
- Rugged, compact and easy to handle
- RS-232 interface, optionally available with GPIB (IEEE-488) and USB
- Calibration (adjustment) function



### Mechanical Design

#### Dimensions



Weight 5.5 kg

### View

#### Rear panel with protective rubber housing



### Standard Equipment

- 1 Benchtop device
- 1 Protective rubber housing
- 1 Mains power cable (earthing contact)
- 1 Safety instructions in German and English

### Connection

Input voltage LABKON P500:  
100 V ... 240 V AC, 47 ... 63 Hz,  
max. 750 VA

LABKON P800:  
180 V ... 265 V AC, 47 ... 63 Hz,  
max. 1050 VA

# LABKON P Series

## Laboratory Power Supplies

### Technical Characteristics

	LABKON P500 20 V / 25 A	LABKON P500 35 V / 14.5 A	LABKON P500 80 V / 6.5 A	LABKON P500 120 V / 4.2 A	LABKON P800 20 V / 40 A	LABKON P800 35 V / 22.5 A	LABKON P800 80 V / 10 A	LABKON P800 120 V / 6.5 A
<b>Output Ratings</b>								
Voltage	0 ... 20 V	0 ... 35 V	0 ... 80 V	0 ... 120 V	0 ... 20V	0 ... 35 V	0 ... 80 V	0 ... 120 V
Current	0 ... 25 A	0 ... 14.5 A	0 ... 6.5 A	0 ... 4.2 A	0 ... 40 A	0 ... 22.5 A	0 ... 10 A	0 ... 6.5 A
<b>Ripple and Noise (20 Hz to 20 MHz)</b>								
Voltage (rms)	< 3 m Vrms	< 5 m Vrms	< 8 m Vrms	< 15 m Vrms	< 10 m Vrms	< 10 m Vrms	< 16 m Vrms	< 16 m Vrms
Voltage (peak-to-peak)	< 25 mVp-p	< 10 mVp-p	< 14 mVp-p	< 80 mVp-p	< 25 mVp-p	< 20 mVp-p	< 25 mVp-p	< 80 mVp-p
Current	< 10 mArms	< 8 mArms	< 6 mArms	< 6 mArms	< 20 mArms	< 8 mArms	< 6 mArms	< 10 mArms
Common Mode Current	< 1.5 mArms	< 1.5 mArms	< 1.5 mArms	< 1.5 mArms	< 1.5 mArms	< 1.5 mArms	< 1.5 mArms	< 1.5 mArms
<b>Load Regulation (static)</b>								
Voltage	3 mA	5 mV	10 mV	10 mV	5 mV	3 mV	3 mV	10 mV
Current	3 mA	3 mA	2 mA	1 mA	4 mA	2 mA	2 mA	2 mA
<b>Line Regulation</b>								
Voltage	5 mV	5 mV	10 mV	10 mV	2 mV	2 mV	2 mV	10 mV
Current	3 A	3 A	2 mA	1 mA	2 mA	1 A	1 mA	1 mA
<b>Rise and Fall Time 0 ... 100 % (measured from 10 ... 90 %)</b>								
Full load up	50 ms	50 ms	50 ms	60 ms	50 ms	50 ms	50 ms	60 ms
Full load down	50 ms	50 ms	50 ms	60 ms	35 ms	50 ms	50 ms	60 ms
No load up	50 ms	50 ms	50 ms	60 ms	50 ms	50 ms	50 ms	60 ms
No load down	200 ms	200 ms	300 ms	300 ms	150 ms	200 ms	300 ms	300 ms
<b>Programming Accuracy</b>								
Voltage	0.03 % + 10 mV	0.15 % + 5 mV	0.03 % + 10 mV	0.03 % + 15 mV	0.03 % + 5 mV	0.03 % + 8 mV	0.03 % + 10 mV	0.03 % + 15 mV
Current	0.50 % + 8 mA	0.50 % + 6 mA	0.50 % + 3 mA	0.50 % + 10 mA	0.50 % + 15 mA	0.50 % + 6 mA	0.50 % + 5 mA	0.50 % + 12 mA
<b>Readback Accuracy</b>								
Voltage	0.02 % + 2 mV	0.15 % + 5 mV	0.02 % + 5 mV	0.02 % + 8 mV	0.02 % + 2 mV	0.02 % + 2 mV	0.02 % + 5 mV	0.02 % + 8 mV
Current	0.20 % + 8 mA	0.50 % + 5 mA	0.50 % + 5 mA	0.50 % + 5 mA	0.20 % + 5 mA	0.20 % + 5 mA	0.50 % + 5 mA	0.50 % + 12 mA
<b>Programming Resolution</b>								
Voltage	1 mV	1 mV	1 mV	1 mV (@ 0...99.999 V) 10 mV (@ 100...120 V)	1 mV	1 mV	1 mV	1 mV (@ 0...99.999 V) 10 mV (@ 100...120 V)
Current	1 mA	1 mA	1 mA	1 mA	1 mA	1 mA	1 mA	1 mA
<b>Readback Resolution</b>								
Voltage	1 mV	1 mV	1 mV	2 mV	1 mV	1 mV	1 mV	2 mV
Current	1 mA	1 mA	1 mA	1 mA	1 mA	1 mA	1 mA	1 mA
<b>Measuring resolution</b>								
Voltage	1 mV	1 mV	1 mV	1 mV (@ 0...99.999 V) 10 mV (@ 100...120 V)	1 mV	1 mV	2 mV	1 mV (@ 0...99.999 V) 10 mV (@ 100...120 V)
Current	1 mA	1 mA	1 mA	1 mA	1 mA	1 mA	1 mA	1 mA

### Ambient Conditions

Operating Temperature	0 °C ... 40 °C
Humidity	max. 80 %

### Order Information

Description	Type	Article n°
LABKON P500 20 V 25 A laboratory power supply	LABKON P500 20/25	K147A
LABKON P500 35 V 14.5 A laboratory power supply	LABKON P500 35/14	K148A

Description	Type	Article n°
LABKON P500 80 V 6.5 A laboratory power supply	LABKON P500 80/6	K149A
LABKON P500 120 V 4.2 A laboratory power supply	LABKON P500 120/4	K150A
LABKON P800 20 V 40 A laboratory power supply	LABKON P800 20/40	K157A
LABKON P800 35 V 22.5 A laboratory power supply	LABKON P800 35/22	K158A
LABKON P800 80 V 10 A laboratory power supply	LABKON P800 80/10	K159A
LABKON P800 120 V 6.5 A laboratory power supply	LABKON P800 120/6	K160A
Option GPIB (IEEE-488) interface for LABKON Series	GPIB-IEEE-488	K890A
Option USB interface for LABKON Series	USB-Interface	K891A
Installation kit for 19" rack	Installation kit SPL/LABKON	Z990A

© Gossen Metrawatt GmbH

Edited in Germany • Subject to change without notice • A pdf version is available on the Internet

All trademarks, registered trademarks, logos, product names, and company names are property of their respective owners.

 GOSSEN METRAWATT

Gossen Metrawatt GmbH  
Südwestpark 15  
90449 Nürnberg • Germany

Phone +49 911 8602-111  
Fax +49 911 8602-777  
E-Mail info@gossenmetrawatt.com  
www.gossenmetrawatt.com

## X-ON Electronics

Largest Supplier of Electrical and Electronic Components

*Click to view similar products for [Modular Power Supplies](#) category:*

*Click to view products by [Gossen Metrawatt](#) manufacturer:*

Other Similar products are found below :

[73-147-000](#) [73-270-000](#) [73-316-4020](#) [73-317-0005](#) [73-495-0333](#) [73-951-0001C](#) [73-961-4086-G2](#) [GLD150-48-103-G](#) [OVS-12F](#) [OVS-12J](#)  
[OVS-15J](#) [IVS13Q2Q1F4LL030ANJCUNR32](#) [LB115S48KH](#) [FP2-PSA1](#) [IMP4-3O1-2J1-05-B-662](#) [UPS40-3003](#) [LB240S48KH](#) [LMM409](#)  
[CHASSIS](#) [VAS003ZG](#) [73-166-000](#) [73-271-000](#) [73-961-0048](#) [73-961-4085-G2](#) [73-962-0001](#) [OVS-15G](#) [1-155777G](#) [OVS-24F](#) [73-551-5086](#)  
[73-713-001](#) [73-540-0001](#) [DUAL OUTPUT CABLE SET](#) [73-560-434](#) [73-963-0048-G2](#) [73-963-0024-G2](#) [73-317-0048](#) [73-495-0555](#) [AC6-](#)  
[02C2C-02-R](#) [VA-A2104827](#) [MVX-G2771015](#) [AC4-OOT2B-00](#) [VA-D1139247](#) [MVX-E2973822](#) [85055](#) [451-002145-0000](#) [ACV15N3](#)  
[CVN300-96P01A](#) [NFN40-7942](#) [SS500-3405-401](#) [VS1-L4-00-CE](#) [MP4-1W-4EE-4NN-00](#)