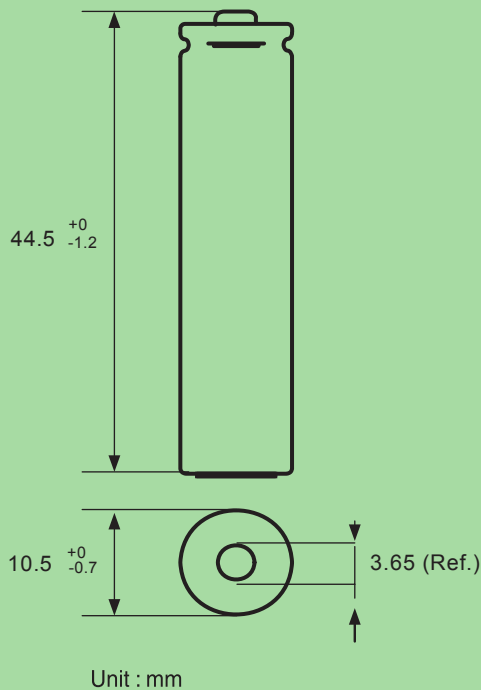




Model No.: **GP100AAAHC**



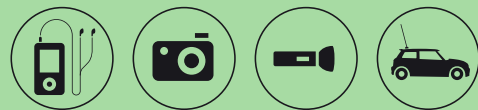
Benefits :

- Most powerful rechargeable batteries
Super high capacity
- Guaranteed for 6 years or 300 recharges, whichever comes first
- Ready to use, precharged
- Holds power up to 70% after 1 year once fully charged
- Recharged by GP Charger for the best performance
- Cost saving and environmentally friendly

Specifications :

- GP ReCyko⁺ Rechargeable battery
- Nickel Metal Hydride chemistry
- AAA size
- Rated capacity 950mAh
- Nominal voltage 1.2V
- Gross weight -15.2g

Applications best for :



Battery handling :

- Batteries should be charged prior to use.
- Remove batteries from the electrical device if the device is not going to be used for a long period of time.
- Do not mix new batteries in use with semi-used batteries.
- In order to maintain satisfactory cell/battery performance when being stored under an extensive period of time, fully charging the cell/battery every 6-9 months is highly recommended.



X-ON Electronics

Largest Supplier of Electrical and Electronic Components

Click to view similar products for [NiMH - Nickel Metal Hydride Battery](#) category:

Click to view products by [GP Batteries](#) manufacturer:

Other Similar products are found below :

[CL-R6/2X5-1500B](#) [100AAAHC B2](#) [4X 65AAAHCE](#) [75AAH](#) [100AAAHC B4](#) [270AAHCE-EB2](#) [380AFH](#) [210AAHCB-EB4](#) [85AAAHCB-EB2](#) [85AAAHCE-EB2](#) [SL-20X](#) [85AAAHCE-EB4](#) [210AAHCB-EB2](#) [NH-2100A](#) [NH-600AAA](#) [NH-B320](#) [270AAHCE-EB4](#) [HHR-26SCPY01](#) [HHR-300SCPY20](#) [NH-1500AA](#) [BK-110FHB01](#) [NH1250AA](#) [NH-3000SC](#) [65AAAHCE](#) [7638900416992](#) [7638900417005](#) [NH-1250AAL](#) [NH-7000D](#) [AA220](#) [AA220 ST](#) [ACCU-600/3NI-MH/CL](#) [ACCU-R14/2500/EG-B](#) [ACCU-R14/3000GP](#) [ACCU-R20/2500/EG-B](#) [ACCU-R22/175-EG](#) [ACCU-R3/750/DR](#) [ACCU-R6/2000-EG-B](#) [ACCU-SC/L-3000](#) [VH DL 9500](#) [VH FL 15000](#) [VHT 7/5CS](#) [VHT AAL](#) [VHT CS](#) [VHT D](#) [VHT F](#) [CL-R6/2S1P-1500B](#) [CL-R6/2X3-1500B](#) [CL-R6/2X4-1500B](#) [CL-R6/3S1P-1500B](#) [CL-R6/4S1P-1500B](#)